

Instructions for use

WASHING MACHINE

GB

GB

English,1

I

Italiano,15

ES

Español,29

CIS

Русский,43

DE

Deutsch,57

BWMD 742

Contents

Installation, 2-3-4-5

Unpacking and levelling
Connecting the electricity and water supplies
The first wash cycle
Technical data
Instructions for the fitter

Description of the washing machine, 6-7

Control panel
Display

Running a wash cycle, 8

Wash cycles and functions, 9

Table of wash cycles
Wash functions

Detergents and laundry, 10

Detergent dispenser drawer
Preparing the laundry
Special wash cycles
Load balancing system

Precautions and tips, 11

General safety
Disposal
Opening the porthole door manually

Care and maintenance, 12

Cutting off the water or electricity supply
Cleaning the washing machine
Cleaning the detergent dispenser drawer
Caring for the door and drum of your appliance
Cleaning the pump
Checking the water inlet hose

Troubleshooting, 13

Service, 14

Installation

GB

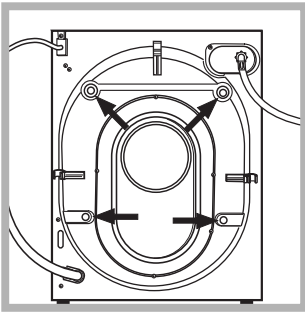
! This instruction manual should be kept in a safe place for future reference. If the washing machine is sold, transferred or moved, make sure that the instruction manual remains with the machine so that the new owner is able to familiarise himself/herself with its operation and features.

! Read these instructions carefully: they contain vital information relating to the safe installation and operation of the appliance.

Unpacking and levelling

Unpacking

1. Remove the washing machine from its packaging.
2. Make sure that the washing machine has not been damaged during the transportation process. If it has been damaged, contact the retailer and do not proceed any further with the installation process.



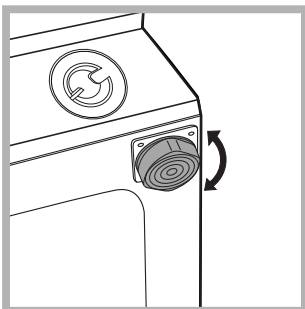
3. Remove the 4 protective screws (used during transportation) and the rubber washer with the corresponding spacer, located on the rear part of the appliance (see figure).

4. Close off the holes using the plastic plugs provided.
5. Keep all the parts in a safe place: you will need them again if the washing machine needs to be moved to another location.

! Packaging materials should not be used as toys for children.

Levelling

1. Install the washing machine on a flat sturdy floor, without resting it up against walls, furniture cabinets or anything else.

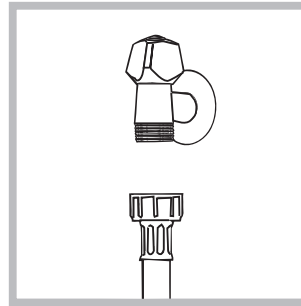


2. If the floor is not perfectly level, compensate for any unevenness by tightening or loosening the adjustable front feet (see figure); the angle of inclination, measured in relation to the worktop, must not exceed 2°.

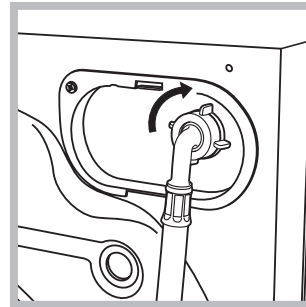
Levelling the machine correctly will provide it with stability, help to avoid vibrations and excessive noise and prevent it from shifting while it is operating. If it is placed on carpet or a rug, adjust the feet in such a way as to allow a sufficient ventilation space underneath the washing machine.

Connecting the electricity and water supplies

Connecting the water inlet hose



1. Connect the supply pipe by screwing it to a cold water tap using a 3/4 gas threaded connection (see figure). Before performing the connection, allow the water to run freely until it is perfectly clear.



2. Connect the inlet hose to the washing machine by screwing it onto the corresponding water inlet of the appliance, which is situated on the top right-hand side of the rear part of the appliance (see figure).

3. Make sure that the hose is not folded over or bent.

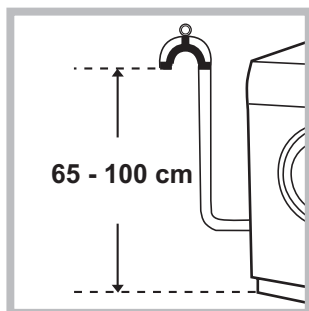
! The water pressure at the tap must fall within the values indicated in the Technical details table (see next page).

! If the inlet hose is not long enough, contact a specialised shop or an authorised technician.

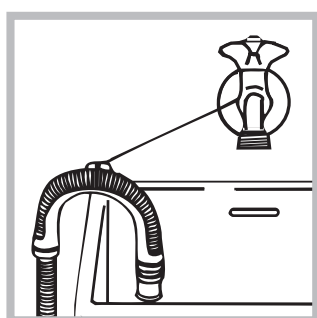
! Never use second-hand hoses.

! Use the ones supplied with the machine.

Connecting the drain hose



Connect the drain hose, without bending it, to a drainage duct or a wall drain located at a height between 65 and 100 cm from the floor;



alternatively, rest it on the side of a washbasin or bathtub, fastening the duct supplied to the tap (see figure). The free end of the hose should not be underwater.

! We advise against the use of hose extensions; if it is absolutely necessary, the extension must have the same diameter as the original hose and must not exceed 150 cm in length.

Electrical connections

Before plugging the appliance into the electricity socket, make sure that:

- the socket is earthed and complies with all applicable laws;
- the socket is able to withstand the maximum power load of the appliance as indicated in the Technical data table (see opposite);
- the power supply voltage falls within the values indicated in the Technical data table (see opposite);
- the socket is compatible with the plug of the washing machine. If this is not the case, replace the socket or the plug.

! The washing machine must not be installed outdoors, even in covered areas. It is extremely dangerous to leave the appliance exposed to rain, storms and other weather conditions.

! When the washing machine has been installed, the electricity socket must be within easy reach.

! Do not use extension cords or multiple sockets.

! The cable should not be bent or compressed.



! The power supply cable must only be replaced by authorised technicians.

Warning! The company shall not be held responsible in the event that these regulations are not respected.

The first wash cycle

Once the appliance has been installed, and before you use it for the first time, run a wash cycle with detergent and no laundry, using the wash cycle ◻ (60°C).

Technical data

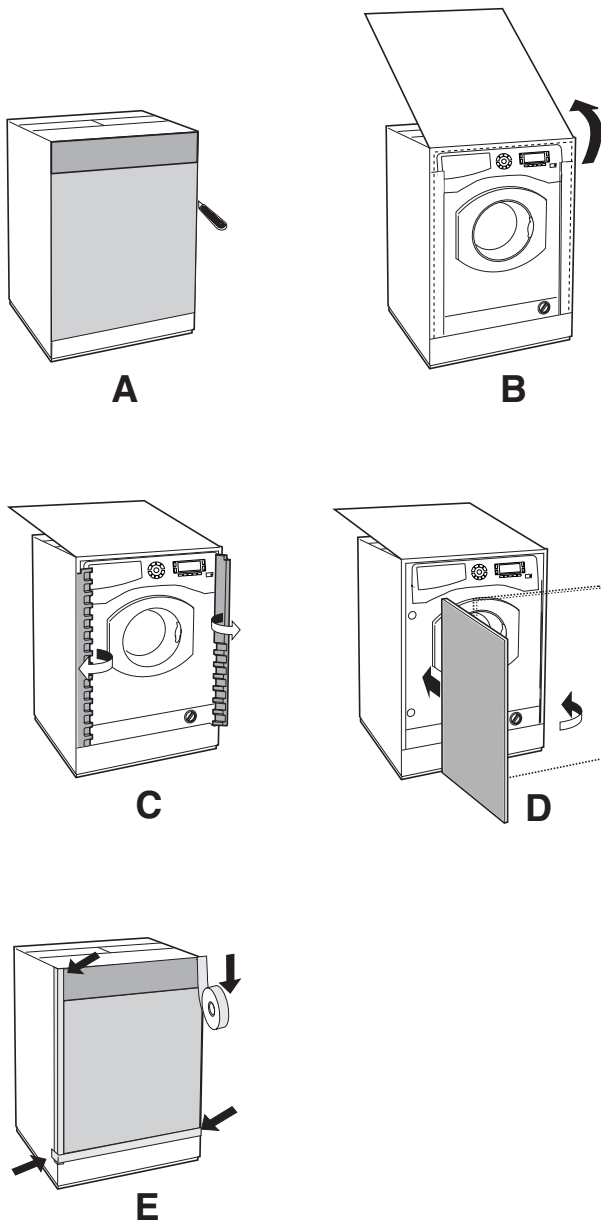
Model	BWMD 742
Dimensions	width 59.5 cm height 81.5 cm depth 54.5 cm
Capacity	from 1 to 7 kg
Electrical connections	please refer to the technical data plate fixed to the machine
Water connections	maximum pressure 1 MPa (10 bar) minimum pressure 0.05 MPa (0.5 bar) drum capacity 52 litres
Spin speed	up to 1400 rotations per minute
Test wash cycles in accordance with directives 1061/2010 and 1015/2010	programme ◻ (60°) (1st press of the button); Standard Cotton 60°C. programme ◻ (40°) (2nd press of the button); Standard Cotton 40°C.
 	This appliance conforms to the following EC Directives: - 2004/108/EC (Electromagnetic Compatibility) - 2006/95/EC (Low Voltage) - 2012/19/EU

Instructions for the fitter

Mounting the wooden panel onto the door and inserting the machine into cabinets:

In the case where the machine must be shipped for final installation after the wooden panel has been mounted, we suggest leaving it in its original packaging. The packaging was designed to make it possible to mount the wooden panel onto the machine without removing it completely (see figures below).

The wooden panel that covers the face of the machine must not be less than **18 mm** in thickness and can be hinged on either the right or left. For the sake of practicality when using the machine, we recommend that the panel be hinged on the same side as the door for the machine itself - the left.



Door Mounting Accessories (Fig. 1-2-3-4-5).

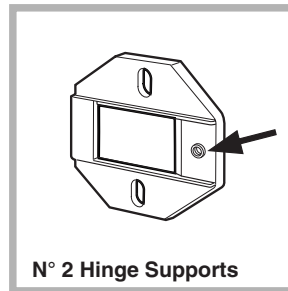


Fig. 1

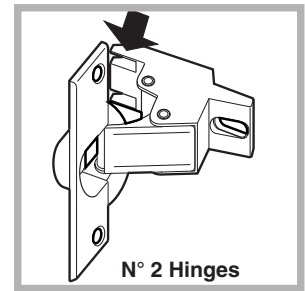


Fig. 2

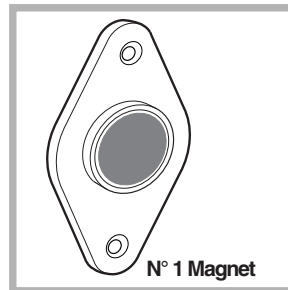


Fig. 3

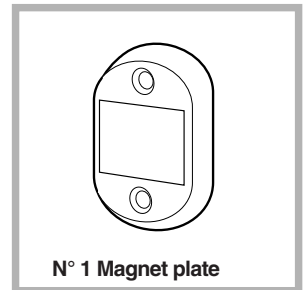


Fig. 4

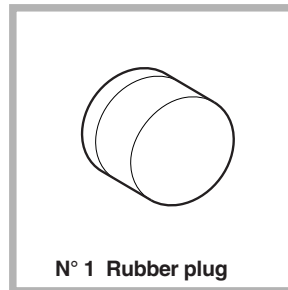


Fig. 5

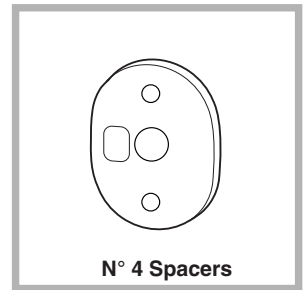


Fig. 4/B

- No. 6 type **A** self-threading screws, $l=13$ mm.
- No. 2 type **B** metric, countersunk screws, $l=25$; for fastening the magnet plate to the cabinet.
- No. 4 type **C** metric screws, $l=15$ mm; for mounting the hinge supports to the cabinet.
- No. 4 type **D** metric screws, $l=7$ mm; for mounting the hinges on the supports.

Mounting the Parts onto the Face of the Machine.

- Fit the hinge supports to the appliance front panel, positioning the hole marked with an arrow in *fig. 1* so that it is on the inner side of the front panel. Fit a spacer (*fig. 4/B*) between the surfaces using type **C** screws.
- Fit the magnet plate at the top of the opposite side, using type **B** screws to fix two spacers (*fig. 4/B*) between the plate and the surface.

Using the Drilling Template.

- To trace the positions of the holes on the left-hand side of the panel, align the drilling template to the top left side of the panel using the lines traced on the extremities as a reference.
- To trace the positions of the holes on the right-hand side of the panel, align the drilling template to the top right side of the panel.
- Use an appropriately sized router to mill the holes for the two hinges, the rubber plug and the magnet.

Moulding the Parts onto the Wooden Panel (Door).

- Insert the hinges into the holes (the movable part of the hinge must be positioned facing away from the panel) and fasten them with the 4 type **A** screws.
 - Insert the magnet into the top hole on the opposite side of the hinges and fasten it with the two type **B** screws.
 - Insert the rubber plug into the bottom hole.
- The panel is now ready to be mounted onto the machine.

Mounting the Panel into the machine.

Insert the nib of the hinge (indicated by the arrow in *fig. 2*) into the hole for the hinge and push the panel towards the front of the machine. Fasten the two hinges with the type **D** screws.

Fastening the plinth guide.

If the machine is installed at the end of a set of modular cabinets, mount either one or both of the guides for the base molding (as shown in *fig. 8*). Adjust them for depth based on the position of the base molding, and, if necessary, fasten the base to the guides (*fig. 9*).

This is how to assemble the plinth guide (*fig. 8*):
Fasten angle **P** using screw **R**, insert plinth guide **Q** into the special slot and once it is in the desired position, lock it in place using angle **P** and screw **R**.

Inserting the machine into the Cabinet.

- Push the machine into the opening, aligning it with the cabinets (*fig. 6*).
- Regulate the adjustable feet to raise the machine to the appropriate height.
- To adjust the position of the wooden panel in both the vertical and horizontal directions, use the **C** and **D** screws, as shown in *fig. 7*.

Important: close the lower part of the appliance front by ensuring that the plinth rests against the floor.

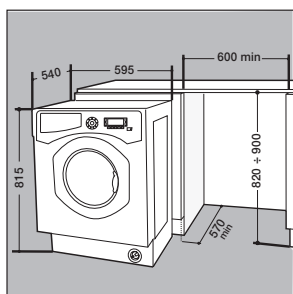


Fig. 6

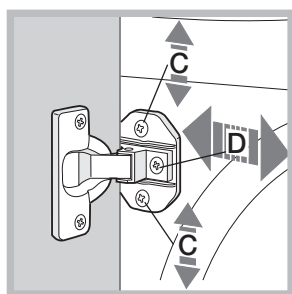


Fig. 7

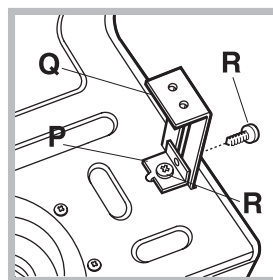


Fig. 8

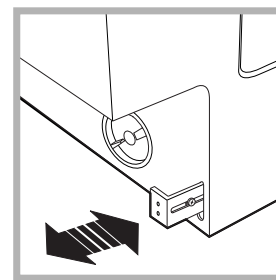


Fig. 9

Accessories provided for the height adjustment.

The following can be found inside the polystyrene lid (*fig. 10*): 2 crossbars (**G**), 1 strip (**M**)

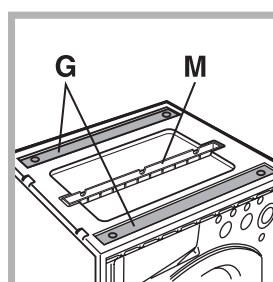


Fig. 10

Adjusting the appliance height.

The height of the appliance can be adjusted (from **815** mm to **835** mm), by turning the **4** feet.

Should you require the appliance to be placed higher than the above height, you need to use the following accessories to raise it to up to **870** mm:

the two crossbars (**G**); the 4 feet (**H**); the 4 screws (**I**); the 4 nuts (**L**) then perform the following operations (*fig. 11*): remove the **4** original feet, place a crossbar **G** at the front of the appliance, fastening it in place using screws **I** (screwing them in where the original feet were) then insert the new feet **H**. Repeat the same operation at the back of the appliance. Now adjust feet **H** to raise or lower the appliance from **835** mm to **870** mm.

Once you have reached the desired height, lock nuts **L** onto crossbar **G**.

To adjust the appliance to a height between **870** mm and **900** mm, you need to mount strip **M**, adjusting feet **H** to the required height.

Insert the strip as follows:
loosen the three screws **N** situated at the front of the Top cover of the appliance, insert strip **M** as shown in *fig. 12*, then fasten screws **N**.

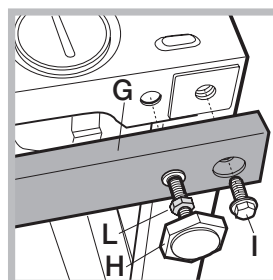


Fig. 11

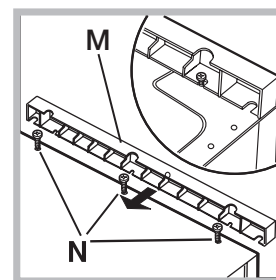
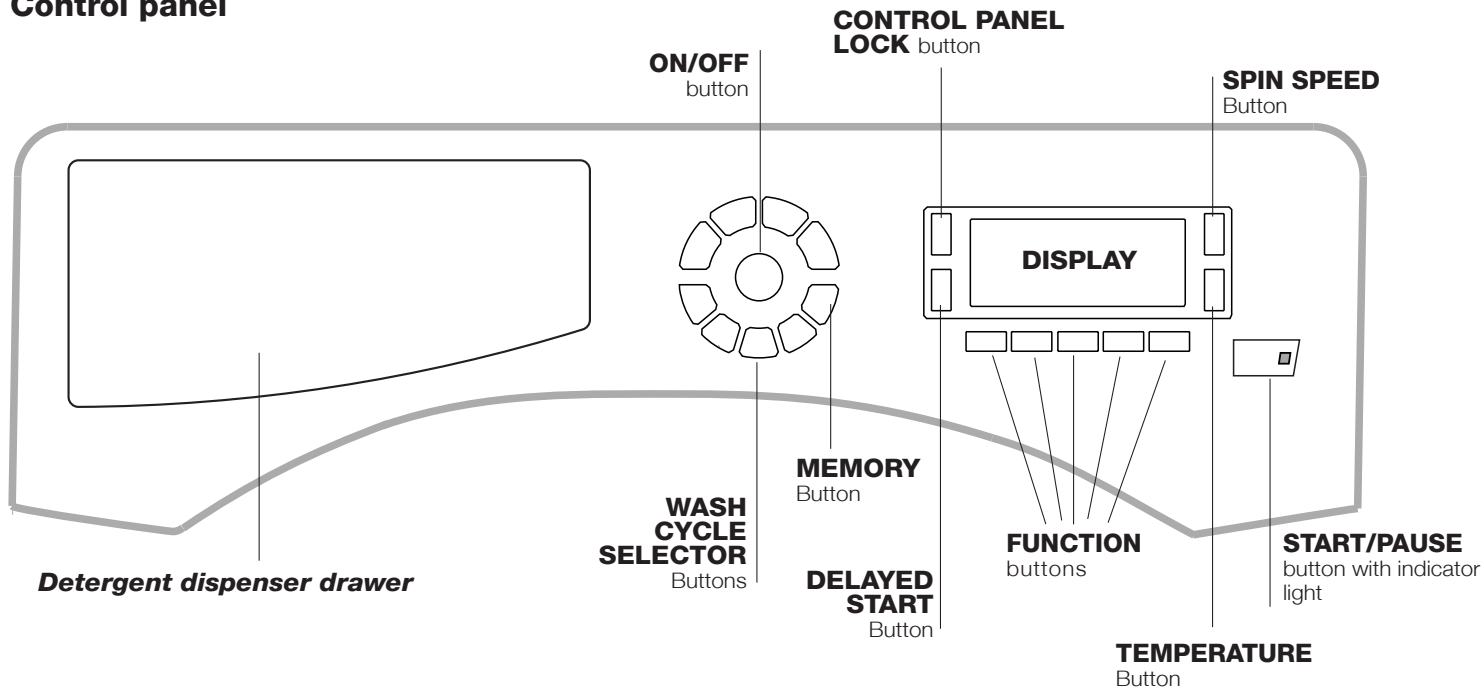


Fig. 12


Description of the washing machine

GB

Control panel




Detergent dispenser drawer: used to dispense detergents and washing additives (see “Detergents and laundry”).

ON/OFF button : press this briefly to switch the machine on or off. The START/PAUSE indicator light, which flashes slowly in a green colour shows that the machine is switched on. To switch off the washing machine during the wash cycle, press and hold the button for approximately 2 seconds; if the button is pressed briefly or accidentally the machine will not switch off. If the machine is switched off during a wash cycle, this wash cycle will be cancelled.



WASH CYCLE SELECTOR buttons: used to set the desired wash cycle (see “Table of wash cycles”).


MEMORY button: press and hold the button to store a cycle with your own set of preferences in the memory of the machine. To recall a previously stored cycle, press the MEMORY button.


FUNCTION buttons: press the button to select the desired function. The corresponding indicator light on the display will switch on.

SPIN button : press to reduce or completely exclude the spin cycle - the value is indicated on the display.

TEMPERATURE button : press to decrease the temperature: the value will be shown on the display.

CONTROL PANEL LOCK button : to **activate** the control panel lock, press and hold the button for approximately 2 seconds. When the symbol  is illuminated, the control panel is locked. This means it is possible to prevent wash cycles from being modified accidentally, especially where there are children in the home. To **deactivate** the control panel lock, press and hold the button for approximately 2 seconds.

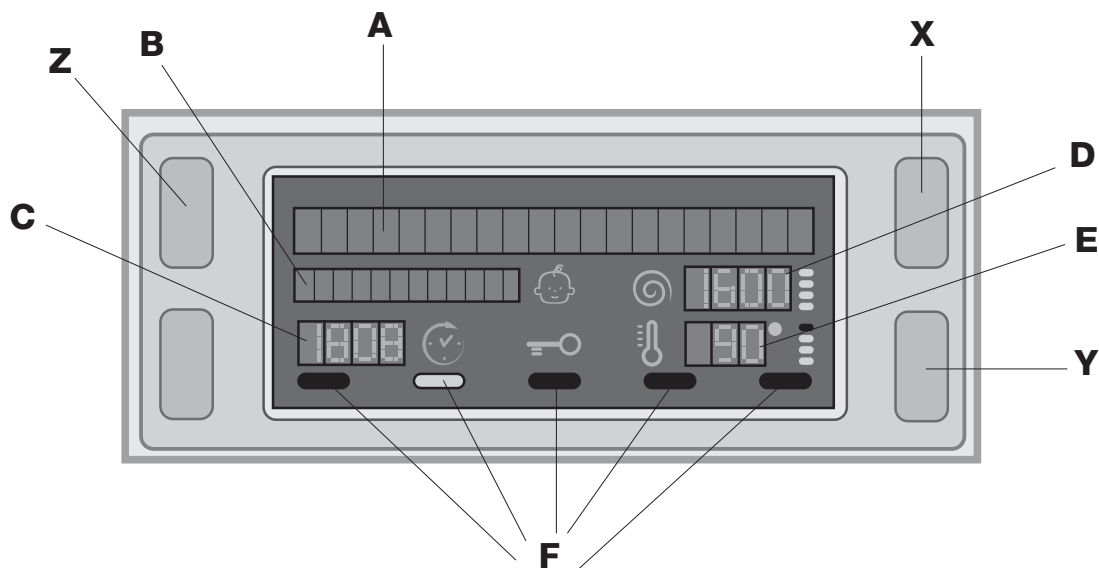
DELAYED START button : press to set a delayed start time for the selected wash cycle. The delay time will be shown on the display.

START/PAUSE button with indicator light: when the green indicator light flashes slowly, press the button to start a wash cycle. Once the cycle has begun the indicator light will remain lit in a fixed manner. To pause the wash cycle, press the button again; the indicator light will flash in an orange colour. If the symbol  is not illuminated, the door may be opened. To start the wash cycle from the point at which it was interrupted, press the button again.

Standby mode

This washing machine, in compliance with new energy saving regulations, is fitted with an automatic standby system which is enabled after about 30 minutes if no activity is detected. Press the ON-OFF button briefly and wait for the machine to start up again.

Display



The display is useful when programming the machine and provides a great deal of information.

The two upper strings **A** and **B** provide details of the wash cycle selected, the wash cycle phase in progress and all information relating to the progress status of the wash cycle.

String **C** shows the time remaining until the end of the wash cycle in progress and, if a DELAYED START has been set, the time remaining until the start of the selected wash cycle.

String **D** shows the maximum spin speed value (this depends on the selected wash cycle); if the wash cycle does not include a spin cycle, the string remains unused.

String **E** shows the maximum temperature value which may be selected (this depends on the wash cycle used); if the temperature of the wash cycle cannot be modified, the string remains unused.

Indicator lights **F** correspond to the functions and light up when the selected function is compatible with the set wash cycle.

Door locked symbol

If the symbol is lit, this indicates that the washing machine door is blocked to prevent it from being opened accidentally. To prevent any damage from occurring, wait for the symbol to switch itself off before opening the appliance door.

N.B.: if the DELAYED START function has been activated, the door cannot be opened; pauses the machine by pressing the START/PAUSE button if you wish to open it.


! The first time the machine is switched on, you will be asked to select the language and the display will automatically show the language selection menu.



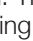
To select the desired language press the **X** and **Y** buttons; to confirm the selection press the **Z** button.


To change the language switch off the machine and press buttons **X**, **Y**, **Z** **simultaneously** until an alarm is heard: the language-selection menu will be displayed again.



Running a wash cycle

GB

- 1. SWITCH THE MACHINE ON.** Press the  button; the text HELLO will appear on the display and the START/PAUSE indicator light will flash slowly in a green colour.
- 2. LOAD THE LAUNDRY.** Open the porthole door. Load the laundry, making sure you do not exceed the maximum load value indicated in the table of programmes on the following page.
- 3. MEASURE OUT THE DETERGENT.** Pull out the detergent dispenser drawer and pour the detergent into the relevant compartments as described in “Detergents and laundry”.
- 4. CLOSE THE DOOR.**
- 5. SELECT THE WASH CYCLE.** Press one of the WASH CYCLE SELECTOR buttons to select the required wash cycle; the name of the wash cycle will appear on the display. A temperature and spin speed is set for each wash cycle; these may be adjusted. The duration of the cycle will appear on the display.
- 6. CUSTOMISE THE WASH CYCLE.** Use the relevant buttons:

 **Modifying the temperature and/or spin speed.** The machine automatically selects the maximum temperature and spin speed set for the selected wash cycle; these values cannot therefore be increased. The temperature can be decreased by pressing the  button, until the cold wash “OFF” setting is reached. The spin speed may be progressively reduced by pressing the  button, until it is completely excluded (the “OFF” setting). If these buttons are pressed again, the maximum values are restored.

! Exception: if the  (60°C) (1st press of the button) programme is selected, the temperature can be increased up to a value of 90°C.

 **Setting a delayed start.** To set a delayed start for the selected programme, press the corresponding button repeatedly until the required delay period has been reached. When this option is enabled, the  symbol lights up on the display. To remove the delayed start function press the button until the text “OFF” appears on the display.

Modifying the cycle settings.

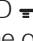


- Press the button to enable the function; the indicator light corresponding to the button will switch on.
- Press the button again to disable the function; the indicator light will switch off.

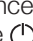
! If the selected function is not compatible with the programmed wash cycle, the indicator light will flash and the function will not be activated.

! If the selected function is not compatible with another function which has been selected previously,

the indicator light corresponding to the first function selected will flash and only the second function will be activated; the indicator light corresponding to the enabled function will remain lit.

! The functions may affect the recommended load value and/or the duration of the cycle.

- 7. START THE PROGRAMME.** Press the START/PAUSE button. The corresponding indicator light will become green, remaining lit in a fixed manner, and the door will be locked (the DOOR LOCKED  symbol will be on). During the wash cycle, the name of the phase in progress will appear on the display. To change a wash cycle while it is in progress, **pause the washing machine** using the START/PAUSE button (the START/PAUSE indicator light will flash slowly in an orange colour); then select the desired cycle and press the START/PAUSE button again. To open the door while a cycle is in progress, press the START/PAUSE button; if the DOOR LOCKED  symbol is switched off the door may be opened. Press the START/PAUSE button again to restart the wash cycle from the point at which it was interrupted.
- 8. THE END OF THE WASH CYCLE.** This will be indicated by the text “END OF CYCLE” on the display; when the DOOR LOCKED  symbol switches off the door may be opened. Open the door, unload the laundry and switch off the machine.

! If you wish to cancel a cycle which has already begun, press and hold the  button. The cycle will be stopped and the machine will switch off.

Wash cycles and functions

Table of wash cycles

Wash cycles	Description of the wash cycle	Max. temp. (°C)	Max. speed (rpm)	Detergents				Max. load (kg)	Residual dampness %	Energy consumption kWh	Total water l	Cycle duration
				Prewash	Wash	Fabric softener	Bleach					
Anti Stain		40°	1400	●	●	●	●	4	-	-	-	180'
Standard Cotton 60° (1) (1st press of the button): heavily soiled whites and delicate colours.		60° (Max. 90°)	1400	● (3)	●	●	●	7	53	1,10	52,5	190'
Standard Cotton 40° (2) (2nd press of the button): lightly soiled whites and delicate colours.		40°	1400	-	●	●	●	7	53	0,99	82	185'
Standard Cotton 20° (3rd press of the button): lightly soiled whites and delicate colours.		20°	1400	-	●	●	●	7	-	-	-	170'
Synthetics Resistant (1st press of the button) : heavily soiled resistant colours.		60°	800	●	●	●	●	3	44	0,93	47	110'
Synthetics Resistant (4) (1st press of the button): lightly soiled resistant colours.		40°	800	●	●	●	●	3	44	0,57	46	95'
Synthetics Delicate (2nd press of the button): lightly soiled resistant colours.		40°	800	●	●	●	●	3	-	-	-	70'
Fastwash 60° (1st press of the button): to refresh normal soiled garments quickly (not suitable for wool, silk and clothes which require washing by hand).		60°	1400	-	●	●	-	3,5	53	0,81	40	60'
Fastwash 30° (2nd press of the button): to refresh lightly soiled garments quickly (not suitable for wool, silk and clothes which require washing by hand).		30°	800	-	●	●	-	3	71	0,15	35	30'
M My Cycle : allows for any wash cycle to be stored.												
Anti Allergy		60°	1400	-	●	●	-	4	-	-	-	195'
Woolmark Platinum (Wool) : for wool, cashmere, etc.		40°	800	-	●	●	-	1,5	-	-	-	70'
Delicates		30°	0	-	●	●	-	1	-	-	-	80'
Fast Spin Cottons (1st press of the button)		-	1400	-	-	-	-	7	-	-	-	16'
Rinse Cottons (2nd press of the button)		-	1400	-	-	●	●	7	-	-	-	36'
Pump out (3rd press of the button)		-	0	-	-	-	-	7	-	-	-	2'

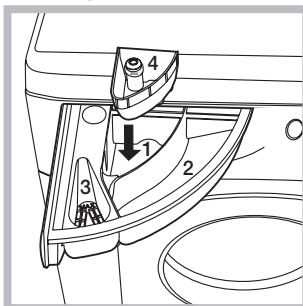
The length of cycle shown on the display or in this booklet is an estimation only and is calculated assuming standard working conditions. The actual duration can vary according to factors such as water temperature and pressure, the amount of detergent used, the amount and type of load inserted, load balancing and any wash options selected.

- 1) Test wash cycle in compliance with directive 1061/2010: set wash cycle 60°C (1st press of the button). This cycle is designed for cotton loads with a normal soil level and is the most efficient in terms of both electricity and water consumption; it should be used for garments which can be washed at 60°C. The actual washing temperature may differ from the indicated value.
- 2) Test wash cycle in compliance with directive 1061/2010: set wash cycle 40°C (2nd press of the button). This cycle is designed for cotton loads with a normal soil level and is the most efficient in terms of both electricity and water consumption; it should be used for garments which can be washed at 40°C. The actual washing temperature may differ from the indicated value.
- 3) At 60 °C the "Prewash" function cannot be selected.

- For all Test Institutes:
 2) Long wash cycle for cottons: set wash cycle 40°C (2nd press of the button).
 4) Long wash cycle for synthetics: set wash cycle 60°C (1st press of the button); temperature of 40°C (press TEMPERATURE button).

Wash functions

Super Wash



This option offers a high-performance wash due to the greater quantity of water used in the initial phase of the cycle, and due to the increased wash cycle duration, is particularly useful for the removal of stubborn stains. It can be used **with** or **without** bleach. If you desire bleaching, insert the extra tray compartment (4) into compartment 1. When pouring in the bleach, be careful not

to exceed the "max" level marked on the central pivot (see figure). **To bleach laundry without carrying out a full wash cycle**, pour the bleach into the extra compartment 4, select the "Rinse" cycle and activate the "Super Wash" option.

! The use of extra compartment 4 excludes the "Pre-wash" function.

! It cannot be used with the "Fast Spin Cottons", "Pump out".

Extra Rinse

By selecting this option, the efficiency of the rinse is increased and optimal detergent removal is guaranteed. It is particularly useful for sensitive skin.

! It cannot be used with the "Fast Spin Cottons", "Pump out".

Easy Iron

By selecting this function, the wash and spin cycles will be modified in order to reduce the formation of creases. At the end of the cycle the washing machine will perform slow rotations of the drum; the EASY IRON and START/PAUSE indicator lights will flash (orange) and the text "END OF CYCLE" will appear on the display. To end the cycle, press the START/PAUSE button or the EASY IRON button. To drain the water so that the laundry may be removed, press the START/PAUSE button or the EASY IRON button.

! It cannot be used with the "Fastwash 30°", .

Prewash

If this function is selected, the pre-wash cycle will run; this is useful for removing stubborn stains.

N.B.: put the detergent in the relevant compartment.

! It cannot be used with the (60°), (40°), .

Eco Wash

The Eco Wash function saves energy by not heating the water used to wash your laundry – an advantage both to the environment and to your energy bill. Instead, intensified wash action and water optimisation ensure great wash results in the same average time of a standard cycle.

For the best washing results we recommend the usage of a liquid detergent.

! It cannot be used with the .

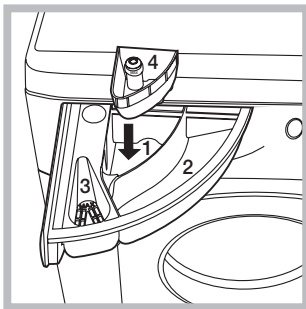
Detergents and laundry

GB

Detergent dispenser drawer

Good washing results also depend on the correct dose of detergent: adding too much detergent will not necessarily result in a more efficient wash, and may in fact cause build up on the inside of your appliance and contribute to environmental pollution.

- ! Use powder detergent for white cotton garments, for pre-washing, and for washing at temperatures over 60°C.
- ! Follow the instructions given on the detergent packaging.
- ! Do not use hand washing detergents because these create too much foam.



Open the detergent dispenser drawer and pour in the detergent or washing additive, as follows.

compartment 1: Pre-wash detergent (powder)

Before pouring in the detergent, make sure that extra compartment 4 has been removed.

compartment 2: Detergent for the wash cycle (powder or liquid)

Liquid detergent should only be poured in immediately prior to the start of the wash cycle.

compartment 3: Additives (fabric softeners, etc.)

The fabric softener should not overflow the grid.

extra compartment 4: Bleach


Preparing the laundry

- Divide the laundry according to:
 - the type of fabric/the symbol on the label
 - the colours: separate coloured garments from whites
- Empty all garment pockets and check the buttons.
- Do not exceed the listed values, which refer to the weight of the laundry when dry: see "Table of wash cycles".


How much does your laundry weigh?

- 1 sheet 400-500 g
- 1 pillow case 150-200 g
- 1 tablecloth 400-500 g
- 1 bathrobe 900-1200 g
- 1 towel 150-250 g

Special wash cycles


Anti Stain : this programme is suitable to heavily-soiled garments with resistant colours. It ensures a washing class that is higher than the standard class (A class). When running the programme, do not mix garments of different colours. We recommend the use of powder detergent. Pre-treatment with special additives is recommended if there are obstinate stains.

Standard Cotton 20°: ideal for lightly soiled cotton loads. The effective performance levels achieved at cold temperatures, which are comparable to washing at 40°, are guaranteed by a mechanical action which operates at varying speed, with repeated and frequent peaks.





Anti Allergy: use programme  to remove major allergens such as pollen, mites, cat's and dog's hair.

Wool: the wool wash cycle on this Hotpoint/Ariston machine has been tested and approved by The Woolmark Company for washing wool garments labelled as hand washable provided that the garments are washed according to the instructions on the garment label and those issued by the manufacturer of this washing machine. Hotpoint/Ariston is the first washing machine brand to be approved by The Woolmark Company for Apparel Care- Platinum for its washing performance and consumption of energy and water. (M1126)



Delicates: use programme  to wash very delicate garments with decorative features, such as diamantes and sequins.

We recommend turning the garments inside out before washing and placing small items into the special bag for washing delicates. Use liquid detergent on delicate garments for best results.

To wash **Silk** garments and **Curtains**, select cycle  and then function  (in this case it will also be possible to enable the "Extra Rinse" function); the machine will end the cycle while the laundry is soaking and the  indicator light will flash. To drain the water so that the laundry may be removed, press the START/PAUSE button or the  button.

Load balancing system

Before every spin cycle, to avoid excessive vibrations and to distribute the load in a uniform manner, the drum rotates continuously at a speed which is slightly greater than the washing rotation speed. If, after several attempts, the load is not balanced correctly, the machine spins at a reduced spin speed. If the load is excessively unbalanced, the washing machine performs the distribution process instead of spinning. To encourage improved load distribution and balance, we recommend small and large garments are mixed in the load.

Precautions and tips

! This washing machine was designed and constructed in accordance with international safety regulations. The following information is provided for safety reasons and must therefore be read carefully.

General safety

- This appliance was designed for domestic use only.
- This appliance is not intended for use by persons (including children) with reduced physical, sensory or mental capabilities, or lack of experience and knowledge, unless they have been given supervision or instruction concerning use of the appliance by a person responsible for their safety. Children should be supervised to ensure that they do not play with the appliance.
- Do not touch the machine when barefoot or with wet or damp hands or feet.
- Do not pull on the power supply cable when unplugging the appliance from the electricity socket. Hold the plug and pull.
- Do not open the detergent dispenser drawer while the machine is in operation.
- Do not touch the drained water as it may reach extremely high temperatures.
- Never force the porthole door. This could damage the safety lock mechanism designed to prevent accidental opening.
- If the appliance breaks down, do not under any circumstances access the internal mechanisms in an attempt to repair it yourself.
- Always keep children well away from the appliance while it is operating.
- The door can become quite hot during the wash cycle.
- If the appliance has to be moved, work in a group of two or three people and handle it with the utmost care. Never try to do this alone, because the appliance is very heavy.
- Before loading laundry into the washing machine, make sure the drum is empty.

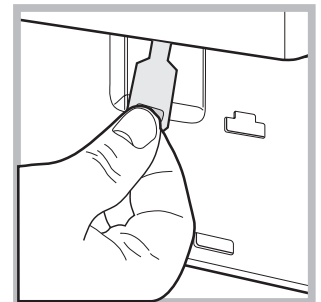
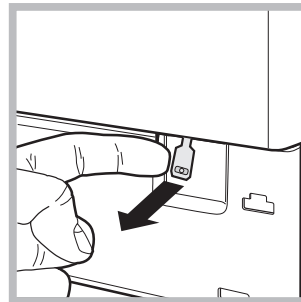
Disposal

- Disposing of the packaging materials: observe local regulations so that the packaging may be re-used.
- The European Directive 2012/19/EU on Waste Electrical and Electronic Equipment, requires that old household electrical appliances must not be disposed of in the normal unsorted municipal waste stream. Old appliances must be collected separately in order to optimise the recovery and recycling of the materials they contain and reduce the impact on human health and the environment. The crossed out “wheeled bin” symbol on the product reminds you of your obligation, that when you dispose of the appliance it must be separately collected. Consumers should contact their local authority or retailer for information concerning the correct disposal of their old appliance.

Opening the porthole door manually

In the event that it is not possible to open the porthole door due to a powercut, and if you wish to remove the laundry, proceed as follows:

1. remove the plug from the electrical socket.
2. make sure the water level inside the machine is lower than the door opening; if it is not, remove excess water using the drain hose, collecting it in a bucket as indicated in the figure.
3. pull outwards using the tab as indicated in the figure, until the plastic tie-rod is freed from its stop position; pull downwards and open the door at the same time.



Care and maintenance

GB

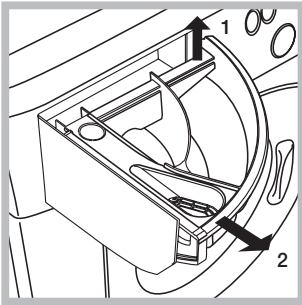
Cutting off the water and electricity supplies

- Turn off the water tap after every wash cycle. This will limit wear on the hydraulic system inside the washing machine and help to prevent leaks.
- Unplug the washing machine when cleaning it and during all maintenance work.

Cleaning the washing machine

The outer parts and rubber components of the appliance can be cleaned using a soft cloth soaked in lukewarm soapy water. Do not use solvents or abrasives.

Cleaning the detergent dispenser drawer



Remove the dispenser by raising it and pulling it out (see figure). Wash it under running water; this operation should be repeated frequently.

Caring for the door and drum of your appliance

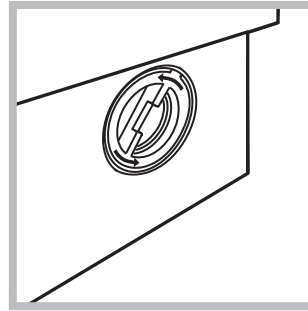
- Always leave the porthole door ajar in order to prevent unpleasant odours from forming.

Cleaning the pump

The washing machine is fitted with a self-cleaning pump which does not require any maintenance. Sometimes, small items (such as coins or buttons) may fall into the pre-chamber which protects the pump, situated in its bottom part.

! Make sure the wash cycle has finished and unplug the appliance.

To access the pre-chamber:



1. unscrew the lid by rotating it anti-clockwise (see figure): a little water may trickle out. This is perfectly normal;

2. clean the inside thoroughly;
3. screw the lid back on;

Checking the water inlet hose

Check the inlet hose at least once a year. If there are any cracks, it should be replaced immediately: during the wash cycles, water pressure is very strong and a cracked hose could easily split open.

! Never use second-hand hoses.

Troubleshooting

Your washing machine could fail to work. Before contacting the Technical Assistance Centre (see "Assistance"), make sure that the problem cannot be solved easily using the following list.

Problem:

Possible causes / Solutions:

The washing machine does not switch on.

- The appliance is not plugged into the socket fully, or is not making contact.
- There is no power in the house.

The wash cycle does not start.

- The washing machine door is not closed properly.
- The ON/OFF button has not been pressed.
- The START/PAUSE button has not been pressed.
- The water tap has not been opened.
- A delayed start has been set (see "Running a wash cycle").

The washing machine does not take in water (the text "NO WATER, CHECK SUPPLY" appears on the display).

- The water inlet hose is not connected to the tap.
- The hose is bent.
- The water tap has not been opened.
- There is no water supply in the house.
- The pressure is too low.
- The START/PAUSE button has not been pressed.

The washing machine continuously takes in and drains water.

- The drain hose is not fitted at a height between 65 and 100 cm from the floor (see "Installation").
- The free end of the hose is under water (see "Installation").
- The wall drainage system is not fitted with a breather pipe.

If the problem persists even after these checks, turn off the water tap, switch the appliance off and contact the Assistance Service. If the dwelling is on one of the upper floors of a building, there may be problems relating to water drainage, causing the washing machine to fill with water and drain continuously. Special anti-draining valves are available in shops and help to avoid this inconvenience.

The washing machine does not drain or spin.

- The wash cycle does not include draining: some wash cycles require the drain phase to be started manually (see "Wash cycles and functions").
- The EASY IRON function has been activated: To complete the wash cycle, press the START/PAUSE button (see "Wash cycles and functions").
- The drain hose is bent (see "Installation").
- The drainage duct is clogged.

The washing machine vibrates a lot during the spin cycle.

- The drum was not unlocked correctly during installation (see "Installation").
- The washing machine is not level (see "Installation").
- The washing machine is trapped between cabinets and walls (see "Installation").

The washing machine leaks.

- The water inlet hose is not screwed on properly (see "Installation").
- The detergent dispenser drawer is blocked (for cleaning instructions, see "Care and maintenance").
- The drain hose is not fixed properly (see "Installation").

The machine is locked and the display flashes, indicating an error code (e.g. F-01, F-..).

- Switch off the machine and unplug it, wait for approximately 1 minute and then switch it back on again.
If the problem persists, contact the Technical Assistance Service.

There is too much foam.

- The detergent is not suitable for machine washing (it should display the text "for washing machines" or "hand and machine wash", or the like).
- Too much detergent was used.

Service

GB

Before calling for Assistance:

- Check whether you can solve the problem alone (see "Troubleshooting");
- Restart the programme to check whether the problem has been solved;
- If this is not the case, contact an authorised Technical Assistance Centre using the telephone number provided on the guarantee certificate.

! Always request the assistance of authorised technicians.

Have the following information to hand:

- the type of problem;
- the appliance model (Mod.);
- the serial number (S/N).

This information can be found on the data plate applied to the rear of the washing machine, and can also be found on the front of the appliance by opening the door.

COMMISSION DELEGATED REGULATION (EU) No 1061/2010

Brand	HOTPOINT/ARISTON
Model	BWMD 742 (EU)
Rated capacity in kg of cotton	7.0
Energy efficiency class on a scale from A+++ (low consumption) to G (high consumption)	A++
Energy consumption per year in kWh ¹⁾	187.0
Energy consumption of the standard 60 °C cotton programme at full load in kWh ²⁾	1.105
Energy consumption of the standard 60 °C cotton programme at partial load in kWh ²⁾	0.605
Energy consumption of the standard 40 °C cotton programme at partial load in kWh ²⁾	0.577
Power consumption of the off-mode in W	0.5
Power consumption of the left-on mode in W	8.0
Water consumption per year in litres ³⁾	10038
Spin-drying efficacy class on a scale from G (minimum efficacy) to A (maximum efficacy)	B
Maximum spin speed attained ⁴⁾	1400
Remaining moisture content ⁵⁾	53%
Programme time of the "standard 60 °C cotton" at full load in minutes	190
Programme time of the "standard 60 °C cotton" at partial load in minutes	150
Programme time of the "standard 40°C cotton" at partial load in minutes	145
Duration of the left-on mode in minutes	30
Noise in dB(A) re 1 pW washing ⁶⁾	42
Noise in dB(A) re 1 pW spinning ⁶⁾	66

¹⁾ The "standard 60°C cotton" at full and partial load and the "standard 40°C cotton" at partial load are the standard washing programmes to which the information in the label and the fiche relates. Standard 60°C cotton and standard 40°C cotton are suitable to clean normally soiled cotton laundry and are the most efficient programmes in terms of combined energy and water consumption. Partial load is half the rated load.

²⁾ Based on 220 standard washing cycles for cotton programmes at 60°C and 40°C at full and partial load, and the consumption of the low-power modes. Actual energy consumption will depend on how the appliance is used.

³⁾ Based on 220 standard washing cycles for cotton programmes at 60°C and 40°C at full and partial load. Actual water consumption will depend on how the appliance is used.

⁴⁾ For the standard 60 °C at full and partial load or the 40°C at partial whichever is lower.

⁵⁾ Attained for 60 °C cotton at full and partial load or the 40°C at partial whichever is higher.

⁶⁾ Based on washing and spinning phases for the standard 60°C cotton programme at full load.

I

Italiano

BWMD 742

Sommario

Installazione, 16-17-18-19

Disimballo e livellamento
Collegamenti idraulici ed elettrici
Primo ciclo di lavaggio
Dati tecnici
Istruzioni per l'installatore

Descrizione della lavabiancheria, 20-21

Pannello di controllo
Display

Come effettuare un ciclo di lavaggio, 22

Programmi e funzioni, 23

Tabella dei programmi
Funzioni di lavaggio

Detersivi e biancheria, 24

Cassetto dei detersivi
Preparare la biancheria
Programmi particolari
Sistema bilanciamento del carico

Precauzioni e consigli, 25

Sicurezza generale
Smaltimento
Apertura manuale della porta oblò

Manutenzione e cura, 26

Escludere acqua e corrente elettrica
Pulire la lavabiancheria
Pulire il cassetto dei detersivi
Curare oblò e cestello
Pulire la pompa
Controllare il tubo di alimentazione dell'acqua

Anomalie e rimedi, 27

Assistenza, 28

Assistenza Attiva 7 giorni su 7

Installazione

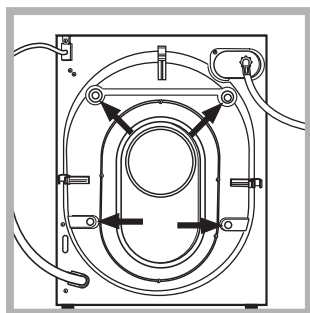
! È importante conservare questo libretto per poterlo consultare in ogni momento. In caso di vendita, di cessione o di trasloco, assicurarsi che resti insieme alla lavabiancheria per informare il nuovo proprietario sul funzionamento e sui relativi avvertimenti.

! Leggere attentamente le istruzioni: ci sono importanti informazioni sull'installazione, sull'uso e sulla sicurezza.

Disimballo e livellamento

Disimballo

1. Disimballare la lavabiancheria.
2. Controllare che la lavabiancheria non abbia subito danni nel trasporto. Se fosse danneggiata non collegarla e contattare il rivenditore.



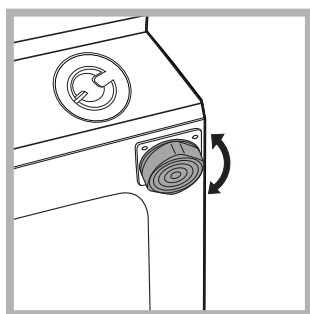
3. Rimuovere le 4 viti di protezione per il trasporto e il gommino con il relativo distanziale, posti nella parte posteriore (vedi figura).

4. Chiudere i fori con i tappi di plastica in dotazione.
5. Conservare tutti i pezzi: qualora la lavabiancheria debba essere trasportata, dovranno essere rimontati.

! Gli imballaggi non sono giocattoli per bambini.

Livellamento

1. Installare la lavabiancheria su un pavimento piano e rigido, senza appoggiarla a muri, mobili o altro.

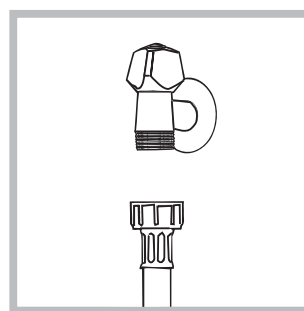


2. Se il pavimento non fosse perfettamente orizzontale, compensare le irregolarità svitando o avvitando i piedini anteriori (vedi figura); l'angolo di inclinazione, misurato sul piano di lavoro, non deve superare i 2°.

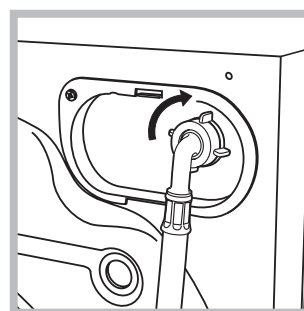
Un accurato livellamento dà stabilità alla macchina ed evita vibrazioni, rumori e spostamenti durante il funzionamento. In caso di moquette o di un tappeto, regolare i piedini in modo da conservare sotto la lavabiancheria uno spazio sufficiente per la ventilazione.

Collegamenti idraulici ed elettrici

Collegamento del tubo di alimentazione dell'acqua



1. Collegare il tubo di alimentazione avvitandolo a un rubinetto d'acqua fredda con bocca filettata da 3/4 gas (vedi figura). Prima di allacciare, far scorrere l'acqua finché non sia limpida.



2. Collegare il tubo di alimentazione alla lavabiancheria avvitandolo all'apposita presa d'acqua, nella parte posteriore in alto a destra (vedi figura).

3. Fare attenzione che nel tubo non ci siano né pieghe né strozzature.

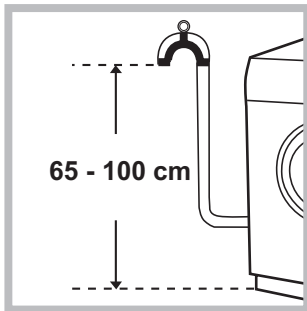
! La pressione idrica del rubinetto deve essere compresa nei valori della tabella Dati tecnici (vedi pagina a fianco).

! Se la lunghezza del tubo di alimentazione non fosse sufficiente, rivolgersi a un negozio specializzato o a un tecnico autorizzato.

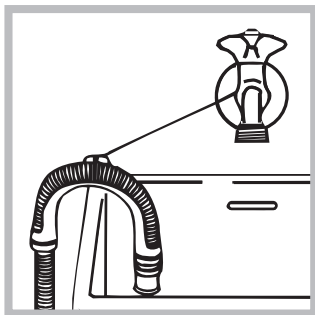
! Non utilizzare mai tubi già usati.

! Utilizzare quelli in dotazione alla macchina.

Collegamento del tubo di scarico



Collegare il tubo di scarico, senza piegarlo, a una conduttura di scarico o a uno scarico a muro posti tra 65 e 100 cm da terra;



oppure appoggiarlo al bordo di un lavandino o di una vasca, legando la guida in dotazione al rubinetto (vedi figura). L'estremità libera del tubo di scarico non deve rimanere immersa nell'acqua.

! È sconsigliato usare tubi di prolunga; se indispensabile, la prolunga deve avere lo stesso diametro del tubo originale e non superare i 150 cm.

Collegamento elettrico

Prima di inserire la spina nella presa della corrente, accertarsi che:

- la presa abbia la messa a terra e sia a norma di legge;
- la presa sia in grado di sopportare il carico massimo di potenza della macchina, indicato nella tabella Dati tecnici (vedi a fianco);
- la tensione di alimentazione sia compresa nei valori indicati nella tabella Dati tecnici (vedi a fianco);
- la presa sia compatibile con la spina della lavabiancheria. In caso contrario sostituire la presa o la spina.

! La lavabiancheria non va installata all'aperto, nemmeno se lo spazio è riparato, perché è molto pericoloso lasciarla esposta a pioggia e temporali.

! A lavabiancheria installata, la presa della corrente deve essere facilmente raggiungibile.

! Non usare prolunghie e multiple.

! Il cavo non deve subire piegature o compressioni.

! Il cavo di alimentazione deve essere sostituito solo da tecnici autorizzati.

Attenzione! L'azienda declina ogni responsabilità qualora queste norme non vengano rispettate.

Primo ciclo di lavaggio

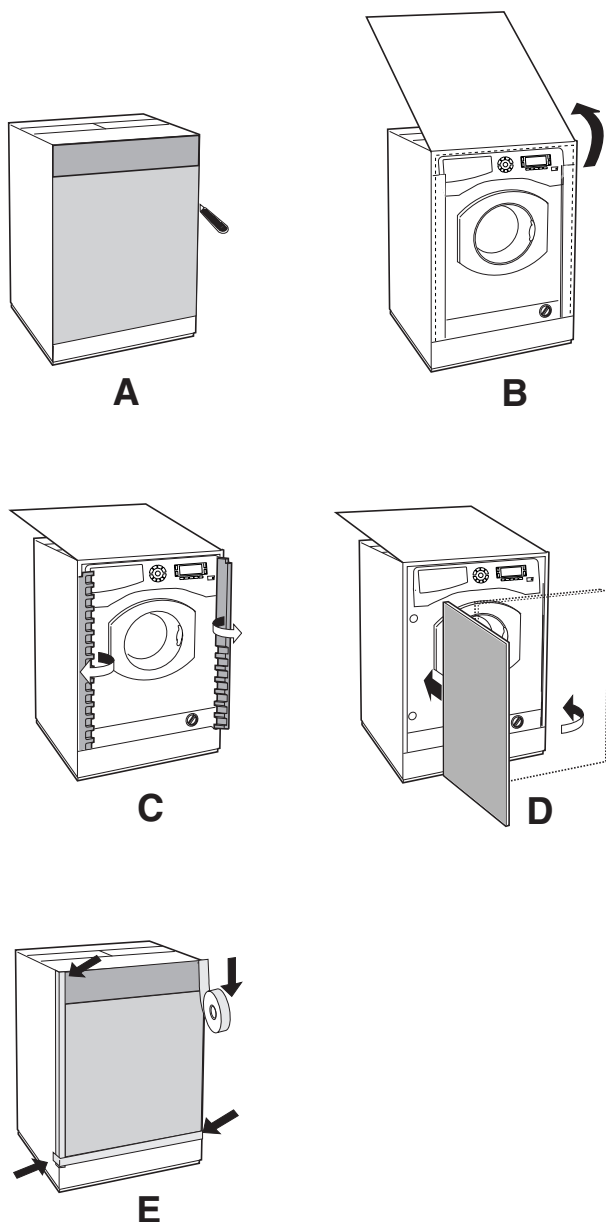
Dopo l'installazione, prima dell'uso, effettuare un ciclo di lavaggio con detersivo e senza biancheria impostando il programma □ (60° C).

Dati tecnici	
Modello	BWMD 742
Dimensioni	larghezza cm 59,5 altezza cm 81,5 profondità cm 54,5
Capacità	da 1 a 7 kg
Collegamenti elettrici	Vedi targhetta caratteristiche tecniche applicata sulla macchina
Collegamenti idrici	pressione massima 1 MPa (10 bar) pressione minima 0,05 MPa (0,5 bar) capacità del cesto 52 litri
Velocità di centrifuga	sino a 1400 giri al minuto
Programmi di prova secondo la direttive 1061/2010 e 1015/2010	programma □ (60°) (1° pressione del tasto); Cotone standard 60°C. programma □ (40°) (2° pressione del tasto); Cotone standard 40°C.
 	Questa apparecchiatura è conforme alle seguenti Direttive Comunitarie: - 2004/108/CE (Compatibilità Elettromagnetica) - 2006/95/CE (Bassa Tensione) - 2012/19/EU

Istruzioni per l'installatore

Applicazione del pannello in legno alla porta e inserimento della macchina nei mobili:

Nel caso in cui, dopo il montaggio del pannello in legno, sia necessario spedire la macchina per l'installazione finale, consigliamo di lasciarla nel suo imballo originale. A questo scopo l'imballo è stato realizzato in modo da permettere il montaggio del pannello di legno sulla macchina senza disimballare completamente il prodotto (vedi figure sottostanti). Il pannello di legno che copre la facciata non deve essere di spessore inferiore a **18 mm** e può essere incernierato sia sul lato destro che sinistro. Per ragioni di praticità d'uso della macchina consigliamo lo stesso senso di apertura dell'oblò con le cerniere applicate sul lato sinistro.



Accessori montaggio portina (Fig. 1-2-3-4-5).

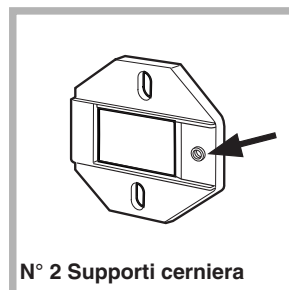


Fig. 1

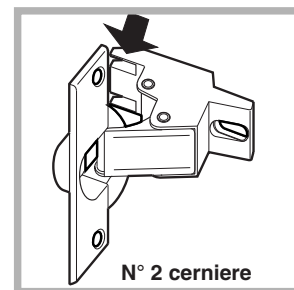


Fig. 2

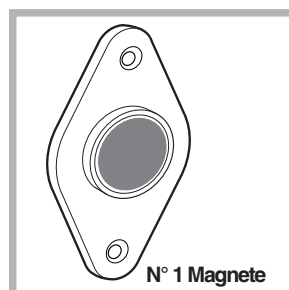


Fig. 3



Fig. 4

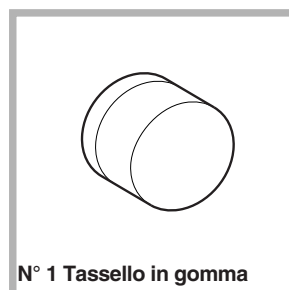


Fig. 5

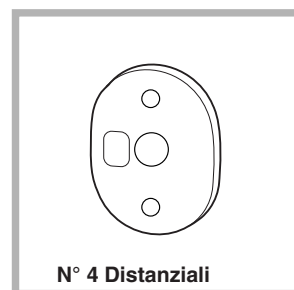


Fig. 4/B

- n° 6 viti autofilettanti $l = 13$ mm "tipo **A**".
- n° 2 viti metriche testa svasata $l = 25$ mm "tipo **B**"; per il fissaggio del riscontro magnete al mobile.
- n° 4 viti metriche $l = 15$ mm "tipo **C**"; per il montaggio dei supporti cerniera al mobile.
- n° 4 viti metriche $l = 7$ mm "tipo **D**"; per il montaggio delle cerniere ai supporti.

Montaggio dei particolari sulla facciata della macchina.

- Montare i supporti cerniera alla facciata posizionando il foro indicato da una freccia nella *fig. 1* verso l'interno della facciata interponendo un distanziale (*fig. 4/B*), utilizzando le viti tipo **C**.
- Montare il riscontro magnete dalla parte opposta in alto interponendo due distanziali (*fig. 4/B*) utilizzando le due viti tipo **B**.

Uso della maschera di foratura.

- Per tracciare le posizioni dei fori sul lato sinistro del pannello, allinere la maschera di foratura al lato superiore e sinistro del pannello facendo riferimento alle linee tracciate alle estremità.
- Per tracciare le posizioni dei fori sul lato destro del pannello, allinere la maschera di foratura al lato superiore e destro del pannello.
- Con una fresa di adeguate dimensioni realizzare le quattro sedi che dovranno alloggiare le due cerniere, il tassello di gomma e il magnete.

Montaggio dei particolari sul pannello di legno (Antina).

- Inserire le cerniere nelle sedi predisposte (la parte mobile della cerniera deve trovarsi verso l'esterno del pannello) e fissarle con 4 viti del tipo **A**.
 - Inserire il magnete nella sede in alto dalla parte opposta alle cerniere e fissarlo con due viti tipo **B**.
 - Inserire il tassello in gomma nella sede in basso.
- Il pannello è ora pronto per essere montato sulla macchina.

Montaggio del pannello alla macchina.

Inserire il nasello della cerniera indicato dalla freccia nella *fig. 2* nella sede del supporto cerniera spingere il pannello verso la facciata della macchina e fissare le due cerniere con le due viti tipo **D**.

Fissaggio della guida zoccolo.

Se la macchina è installata ad una estremità della cucina componibile montare una o entrambe le guide zoccolo come indicato in *fig. 8*, regolandone la profondità in funzione della posizione dello zoccolo e se necessario fissarlo alle stesse (*fig. 9*).

Per montare la guida zoccolo agire come segue (*fig. 8*):
Fissare la squadretta **P** con la vite **R**, infilare la guida zoccolo **Q** nell'apposita asola e una volta posizionata nel punto desiderato bloccarla alla squadretta **P** con la vite **R**.

Inserimento della macchina nei mobili.

- Spingere l'apparecchio nell'apertura allineandola con gli altri mobili (*fig. 6*).
- Agire sui piedini di regolazione per portare la macchina all'altezza desiderata.
- Per regolare la posizione del pannello in legno in senso verticale ed orizzontale, agire sulle viti **C** e **D** come indicato in *fig. 7*.

Importante: chiudere la parte inferiore della facciata con lo zoccolo a battuta sul pavimento.

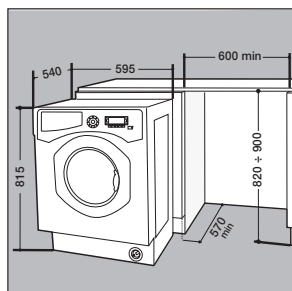


Fig. 6

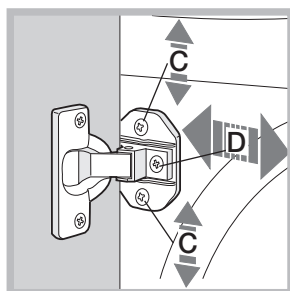


Fig. 7

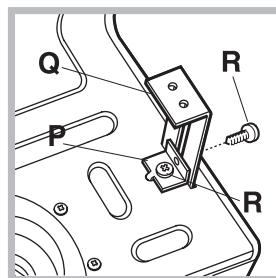


Fig. 8

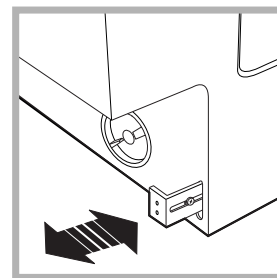


Fig. 9

Accessori in dotazione per la regolazione in altezza.

All'interno del coperchio di polistirolo (*fig. 10*) si trovano:
2 traverse (**G**); 1 listello (**M**)

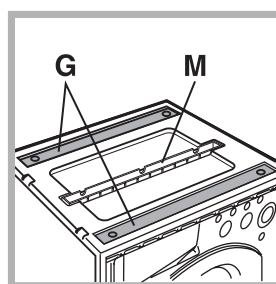


Fig. 10

all'interno del cestello si trovano:
4 piedini supplementari (**H**)
4 viti (**I**)
4 viti (**R**)
4 dadi (**L**)
2 guide zoccolo (**Q**)

Regolazione in altezza della macchina.

La macchina può essere regolata in altezza (da 815 mm a 835 mm) agendo sui 4 piedini.

Se si desidera portarla ad un'altezza superiore a quella sopraindicata, arrivando fino a 870 mm, occorre utilizzare i seguenti accessori:

le 2 traverse (**G**); i 4 piedini (**H**); le 4 viti (**I**); i 4 dadi (**L**), quindi agire come segue (*fig. 11*):

togliere i 4 piedini originali, posizionare una traversa **G** nella parte anteriore della macchina, fissarla con le viti **I** (avvitandole nei fori dove erano montati i piedini originali) quindi inserire i nuovi piedini **H**.

Ripetere la stessa operazione nella parte posteriore della macchina. A questo punto regolando i piedini **H** la macchina può essere abbassata o alzata da 835 mm a 870 mm.

Una volta raggiunta l'altezza desiderata bloccare i dadi **L** alla traversa **G**.

Per regolare la macchina ad un'altezza compresa tra 870 mm e 900 mm occorre montare il listello **M** regolando i piedini **H** fino all'altezza desiderata. Per inserire il listello agire come segue: allentare le tre viti **N** poste nella parte anteriore della copertura Top, inserire il listello **M** come indicato nella *fig. 12*, quindi bloccare le viti **N**.

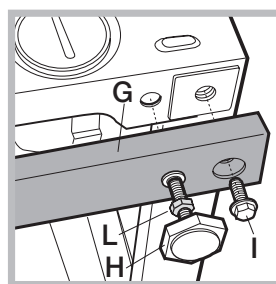


Fig. 11

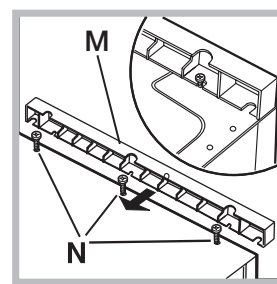
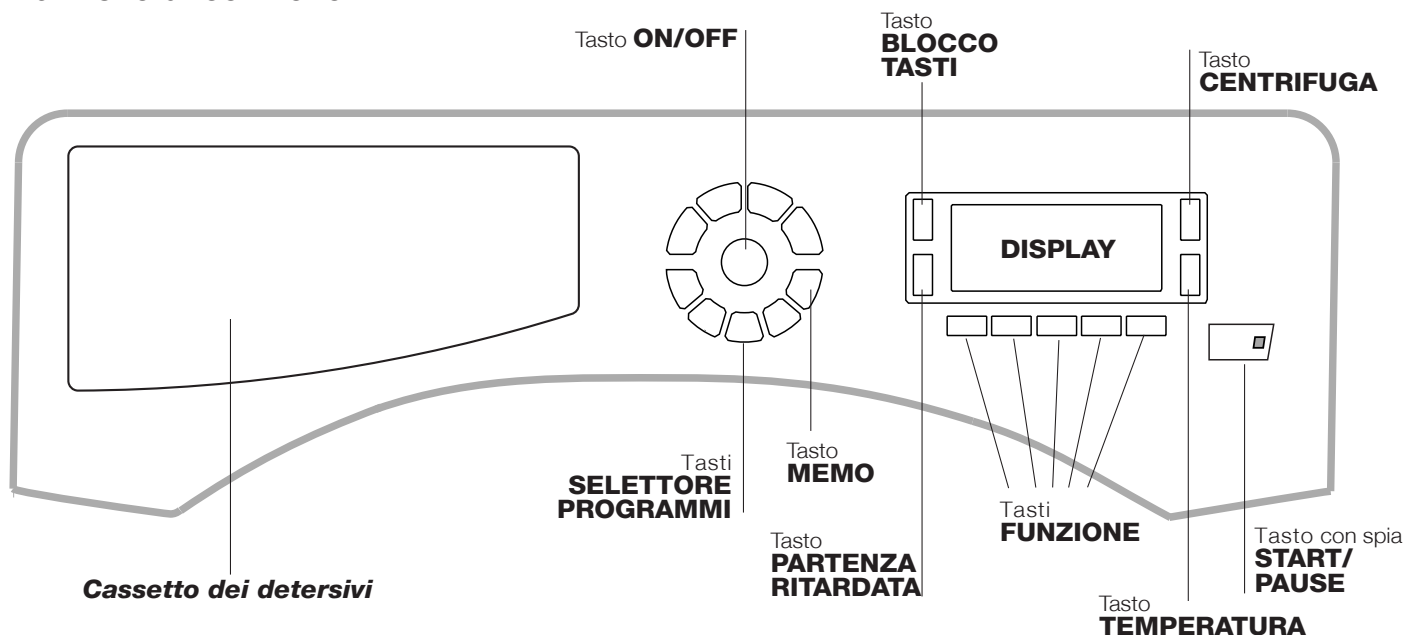



Fig. 12

Descrizione della lavabiancheria

Pannello di controllo



Cassetto dei detersivi: per caricare detersivi e additivi (vedi "Detersivi e biancheria").

Tasto **ON/OFF** : premere brevemente il tasto per accendere o spegnere la macchina. La spia START/PAUSE che lampeggia lentamente di colore verde indica che la macchina è accesa. Per spegnere la lavabiancheria durante il lavaggio è necessario tenere premuto il tasto più a lungo, circa 2 sec.; una pressione breve o accidentale non permetterà lo spegnimento della macchina. Lo spegnimento della macchina durante un lavaggio in corso annulla il lavaggio stesso.

Tasti **SELETTORE PROGRAMMI**: per impostare il programma desiderato (vedi "Tabella dei programmi").

Tasto **MEMO**: tenere premuto il tasto per memorizzare un ciclo e le proprie personalizzazioni preferite. Per richiamare un ciclo precedentemente memorizzato premere il tasto MEMO.

Tasti **FUNZIONE**: premere il tasto per selezionare la funzione desiderata. Sul display si illuminerà la spia relativa.


Tasto **CENTRIFUGA** : premere per ridurre o escludere del tutto la centrifuga; il valore viene indicato nel display.

Tasto **TEMPERATURA** : premere per ridurre la temperatura; il valore viene indicato nel display.

Tasto **BLOCCO TASTI** : per **attivare** il blocco del pannello di controllo, tenere premuto il tasto per circa 2 secondi. Il simbolo  acceso indica che il pannello di controllo è bloccato. In questo modo si impediscono modifiche accidentali dei programmi, soprattutto se in casa ci sono dei bambini.

Per **disattivare** il blocco del pannello di controllo, tenere premuto il tasto per circa 2 secondi.

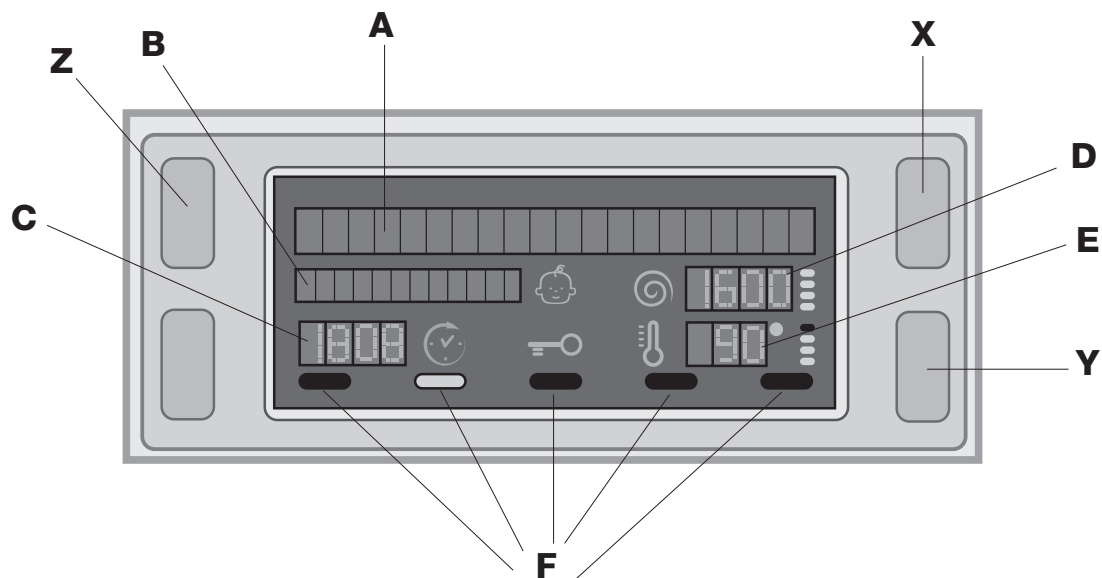
Tasto **PARTENZA RITARDATA** : premere per impostare una partenza ritardata del programma prescelto; il ritardo viene indicato nel display.

Tasto con spia **START/PAUSE**: quando la spia verde lampeggia lentamente, premere il tasto per avviare un lavaggio. A ciclo avviato la spia diventa fissa. Per mettere in pausa il lavaggio, premere nuovamente il tasto; la spia lampeggerà con colore arancione. Se il simbolo  non è illuminato, si potrà aprire l'oblò. Per far ripartire il lavaggio dal punto in cui è stato interrotto, premere nuovamente il tasto.

Modalità di stand by

Questa lavatrice, in conformità alle nuove normative legate al risparmio energetico, è dotata di un sistema di autospegnimento (stand by) che entra in funzione dopo circa 30 minuti nel caso di non utilizzo. Premere brevemente il tasto ON/OFF e attendere che la macchina si riattivi.

Display



Il display è utile per programmare la macchina e fornisce molteplici informazioni.

Nelle due stringhe superiori **A** e **B** vengono visualizzati il programma di lavaggio selezionato, la fase di lavaggio in corso e tutte le indicazioni relative allo stato d'avanzamento del programma.

Nella stringa **C** viene visualizzato il tempo residuo alla fine del ciclo di lavaggio in corso e nel caso fosse stata impostata una PARTENZA RITARDATA, il tempo mancante all'avvio del programma selezionato.

Nella stringa **D** viene visualizzato il valore massimo della velocità della centrifuga che la macchina può effettuare in base al programma impostato; se il programma non prevede la centrifuga la stringa resta spenta.

Nella stringa **E** viene visualizzato il valore massimo della temperatura che si può selezionare in base al programma impostato; se il programma non prevede l'impostazione della temperatura la stringa resta spenta.

Le spie **F** sono relative alle funzioni e si accendono quando la funzione selezionata è compatibile con il programma impostato.

Simbolo **Oblò bloccato**

Il simbolo acceso indica che l'oblò è bloccato per impedire aperture accidentali. Per evitare danni è necessario attendere che il simbolo si spenga prima di aprire l'oblò.

N.B.: se è attiva la funzione PARTENZA RITARDATA l'oblò non si può aprire, per aprirlo mettere la macchina in pausa premendo il tasto START/PAUSE.

! Alla prima accensione verrà richiesto di selezionare la lingua ed il display entrerà automaticamente nel menu di selezione lingua.

Per scegliere la lingua desiderata premere i tasti **X** e **Y**, per confermare la scelta premere il tasto **Z**.

Se si vuole cambiare lingua, spegnere la macchina, premere **contemporaneamente** i tasti **X**, **Y**, **Z** fino a sentire un segnale acustico, verrà visualizzato di nuovo il menu di selezione lingua.

Come effettuare un ciclo di lavaggio

1. **ACCENDERE LA MACCHINA.** Premere il tasto , sul display comparirà la scritta **BENVENUTI**; la spia **START/PAUSE** lampeggerà lentamente di colore verde.

2. **CARICARE LA BIANCHERIA.** Aprire la porta oblò. Caricare la biancheria facendo attenzione a non superare la quantità di carico indicata nella tabella programmi della pagina seguente.




3. **DOSARE IL DETERSIVO.** Estrarre il cassetto e versare il detersivo nelle apposite vaschette come spiegato in *"Detersivi e biancheria"*.

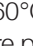
4. **CHIUDERE L'OBLO'.**

5. **SCEGLIERE IL PROGRAMMA.** Premere uno dei tasti del **SELETTORE PROGRAMMI** per selezionare il programma desiderato; il nome del programma comparirà sul display; ad esso è associata una temperatura e una velocità di centrifuga che possono essere modificate. Sul display comparirà la durata del ciclo.


6. **PERSONALIZZARE IL CICLO DI LAVAGGIO.**

Agire sugli appositi tasti:

 **Modificare la temperatura e/o la centrifuga.** La macchina seleziona automaticamente la temperatura e la centrifuga massime previste per il programma impostato e non possono pertanto essere aumentate. Premendo il tasto  si riduce progressivamente la temperatura sino al lavaggio a freddo "OFF". Premendo il tasto  si riduce progressivamente la centrifuga sino alla sua esclusione "OFF". Un'ulteriore pressione dei tasti riporterà i valori a quelli massimi previsti.

! Eccezione: selezionando il programma  (60°C) (1° pressione del tasto) la temperatura può essere portata sino a 90°.

 **Impostare una partenza ritardata.**

Per impostare la partenza ritardata del programma prescelto, premere il tasto relativo fino a raggiungere il tempo di ritardo desiderato. Quando tale opzione è attiva, sul display si illumina il simbolo . Per rimuovere la partenza ritardata premere il tasto fino a che sul display compare la scritta "OFF".

Modificare le caratteristiche del ciclo.


- Premere il tasto per attivare la funzione; la spia corrispondente al pulsante si accenderà.
- Premere nuovamente il tasto per disattivare la funzione; la spia si spegnerà.


! Se la funzione selezionata non è compatibile con il programma impostato, la spia lampeggerà e la funzione non verrà attivata.


! Se la funzione selezionata non è compatibile con un'altra precedentemente impostata, la spia relativa alla prima funzione selezionata lampeggerà e verrà


attivata solo la seconda, la spia della funzione attivata si illuminerà.

! Le funzioni possono variare il carico raccomandato e/o la durata del ciclo.

7. **AVVIARE IL PROGRAMMA.** Premere il tasto **START/PAUSE**. La spia relativa si illuminerà di colore verde fisso e l'oblò si bloccherà (simbolo **OBLO' BLOCCATO**  acceso). Durante il lavaggio, sul display comparirà il nome della fase in corso. Per cambiare un programma mentre un ciclo è in corso, **mettere la lavabiancheria in pausa** premendo il tasto **START/PAUSE** (la spia **START/PAUSE** lampeggerà lentamente di colore arancione); selezionare quindi il ciclo desiderato e premere nuovamente il tasto **START/PAUSE**.





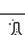









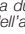
Per aprire la porta mentre un ciclo è in corso premere il tasto **START/PAUSE**; se il simbolo **OBLO' BLOCCATO**  è spenta sarà possibile aprire l'oblò. Premere nuovamente il tasto **START/PAUSE** per far ripartire il programma dal punto in cui era stato interrotto.

8. **FINE DEL PROGRAMMA.** Viene indicata dalla scritta **"FINE CICLO"** sul display, quando il simbolo **OBLO' BLOCCATO**  si spegnerà sarà possibile aprire l'oblò. Aprire l'oblò, scaricare la biancheria e spegnere la macchina.


! Se si desidera annullare un ciclo già avviato, premere a lungo il tasto . Il ciclo verrà interrotto e la macchina si spegnerà.

Programmi e funzioni


Tabella dei programmi

Programmi	Descrizione del Programma	Temp. max. (°C)	Velocità max. (giri al minuto)	Detersivi				Carico max. (Kg)	Umidità residua %	Consumo energia kWh	Acqua totale lt	Durata ciclo
				Prelavaggio	Lavaggio	Ammobidente	Candeggina					
	Antimacchia	40°	1400	●	●	●	●	4	-	-	-	180'
	Cotone standard 60° (1) (1° pressione del tasto): bianchi e colorati resistenti molto sporchi.	60° (Max. 90°)	1400	●(3)	●	●	●	7	53	1,10	52,5	190'
	Cotone standard 40° (2) (2° pressione del tasto): bianchi e colorati delicati poco sporchi.	40°	1400	-	●	●	●	7	53	0,99	82	185'
	Cotone standard 20° (3) (3° pressione del tasto): bianchi e colorati delicati poco sporchi.	20°	1400	-	●	●	●	7	-	-	-	170'
	Sintetici Resistenti (1° pressione del tasto): colori resistenti molto sporchi.	60°	800	●	●	●	●	3	44	0,93	47	110'
	Sintetici Resistenti (4) (1° pressione del tasto): colori resistenti poco sporchi.	40°	800	●	●	●	●	3	44	0,57	46	95'
	Sintetici Delicati (2° pressione del tasto): colori resistenti poco sporchi.	40°	800	●	●	●	●	3	-	-	-	70'
	Rapido 60' (1° pressione del tasto): per rinfrescare rapidamente capi normalmente (non indicato per lana, seta e capi da lavare a mano).	60°	1400	-	●	●	-	3,5	53	0,81	40	60'
	Rapido 30' (2° pressione del tasto): per rinfrescare rapidamente capi poco (non indicato per lana, seta e capi da lavare a mano).	30°	800	-	●	●	-	3	71	0,15	35	30'
M Memo: permette di memorizzare un qualsiasi ciclo di lavaggio.												
	Antiallergy	60°	1400	-	●	●	-	4	-	-	-	195'
	Woolmark Platinum (Lana): per lana, cachemire, ecc.	40°	800	-	●	●	-	1,5	-	-	-	70'
	Delicati	30°	0	-	●	●	-	1	-	-	-	80'
	Centrifuga Resistenti (1° pressione del tasto)	-	1400	-	-	-	-	7	-	-	-	16'
	Risciacquo Resistenti (2° pressione del tasto)	-	1400	-	-	●	●	7	-	-	-	36'
	Scarico (3° pressione del tasto)	-	0	-	-	-	-	7	-	-	-	2'

La durata del ciclo indicata sul display o sul libretto è una stima calcolata in base a condizioni standard. Il tempo effettivo può variare in base a numerosi fattori quali la temperatura e la pressione dell'acqua in ingresso, la temperatura ambiente, la quantità di detersivo, la quantità ed il tipo di carico, il bilanciamento del carico, le opzioni aggiuntive selezionate.

1) Programma di controllo secondo la direttiva 1061/2010: impostare il programma  a 60°C (1° pressione del tasto).

Questo ciclo è adatto per pulire un carico di cotone normalmente sporco ed è il più efficiente in termini di consumo combinato di energia e di acqua, da usare su capi lavabili a 60°C. La temperatura effettiva di lavaggio può differire da quella indicata.


2) Programma di controllo secondo la direttiva 1061/2010: impostare il programma  a 40°C (2° pressione del tasto).

Questo ciclo è adatto per pulire un carico di cotone normalmente sporco ed è il più efficiente in termini di consumo combinato di energia e di acqua, da usare su capi lavabili a 40°C. La temperatura effettiva di lavaggio può differire da quella indicata.

3) Alla temperatura di 60 °C la funzione "Prelavaggio" non può essere attivata.

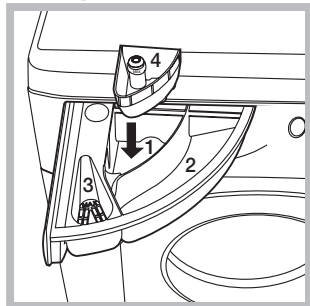
Per tutti Test Institutes:

2) Programma cotone lungo: impostare il programma  a 40°C (2° pressione del tasto).

4) Programma sintetico lungo: impostare il programma  a 60°C (1° pressione del tasto); temperatura di 40°C (premere il tasto TEMPERATURA).

Funzioni di lavaggio





Super Wash



Questa opzione garantisce un lavaggio di alte prestazioni grazie all'utilizzo di una maggior quantità d'acqua nella fase iniziale del ciclo e alla maggior durata del programma ed è utile per eliminare le macchie più resistenti. Può essere utilizzata con o senza candeggina. Se si desidera effettuare anche il candeggio inserire la vaschetta aggiuntiva 4, in dotazione, nella vaschetta 1. Nel dosare la candeggina non superare il livello

"max" indicato sul perno centrale (vedi figura). Se si desidera solo candeggiare senza effettuare il lavaggio completo, versare la candeggina nella vaschetta aggiuntiva 4, impostare il programma "Risciacquo" e attivare l'opzione "Super Wash".

! L'utilizzo della vaschetta aggiuntiva 4 esclude il prelavaggio.

! Non è attivabile sui programmi , , , , "Centrifuga Resistenti", "Scarico".

Extra Risciacquo

Selezionando questa opzione si aumenta l'efficacia del risciacquo, e si assicura la massima rimozione del detersivo. È utile per pelli particolarmente sensibili.

! Non è attivabile sui programmi "Rapido 30'", , , Centrifuga Resistenti", "Scarico".

Stira facile

Selezionando questa funzione, il lavaggio e la centrifuga saranno opportunamente modificati per ridurre la formazione di pieghe. Al termine del ciclo la lavabiancheria effettuerà delle lente rotazioni del cestello; la spia della funzione STIRA FACILE e quella di START/PAUSE lampeggeranno (arancione) e la scritta "FINE CICLO" apparirà sul display. Per terminare il ciclo si dovrà premere il tasto START/PAUSE o il tasto STIRA FACILE. Per scaricare l'acqua e poter rimuovere il bucato sarà necessario premere il tasto START/PAUSE o il tasto STIRA FACILE.

! Non è attivabile sui programmi , "Rapido 30'", , , .




Prelavaggio

La funzione Eco Wash contribuisce al risparmio energetico non riscaldando l'acqua utilizzata per lavare il bucato – un vantaggio sia per l'ambiente, sia per la bolletta elettrica. Infatti, l'azione rafforzata e il consumo ottimizzato dell'acqua garantiscono ottimi risultati nella stessa durata media di un ciclo standard. Per ottenere i migliori risultati di lavaggio, si consiglia l'uso di un detersivo liquido.

! Non è attivabile sui programmi , , , , ,  (60°),  (40°), .

Eco wash

La funzione Eco Wash contribuisce al risparmio energetico non riscaldando l'acqua utilizzata per lavare il bucato – un vantaggio sia per l'ambiente, sia per la bolletta elettrica. Infatti, l'azione rafforzata e il consumo ottimizzato dell'acqua garantiscono ottimi risultati nella stessa durata media di un ciclo standard. Per ottenere i migliori risultati di lavaggio, si consiglia l'uso di un detersivo liquido.

! Non è attivabile sui programmi , , , , .

Detersivi e biancheria

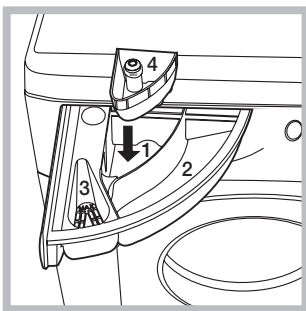
Cassetto dei detersivi

Il buon risultato del lavaggio dipende anche dal corretto dosaggio del detersivo: eccedendo non si lava in modo più efficace e si contribuisce a incrostare le parti interne della lavabiancheria e a inquinare l'ambiente.

! Usare detersivi in polvere per capi in cotone bianchi e per il prelavaggio e per lavaggi con temperatura superiore a 60°C.

! Seguire le indicazioni riportate sulla confezione di detersivo.

! Non usare detersivi per il lavaggio a mano, perché formano troppa schiuma.



Estrarre il cassetto dei detersivi e inserire il detersivo o l'additivo come segue.

vaschetta 1: Detersivo per prelavaggio (in polvere)

Prima di versare il detersivo verificare che non sia inserita la vaschetta aggiuntiva 4.

vaschetta 2: Detersivo per lavaggio (in polvere o liquido)

Il detersivo liquido va versato solo prima dell'avvio.

vaschetta 3: Additivi (ammorbidente, ecc.)

L'ammorbidente non deve fuoriuscire dalla griglia.

vaschetta aggiuntiva 4: Candeggina

Preparare la biancheria

- Suddividere la biancheria secondo:
 - il tipo di tessuto / il simbolo sull'etichetta.
 - i colori: separare i capi colorati da quelli bianchi.
- Vuotare le tasche e controllare i bottoni.
- Non superare i valori indicati nella "Tabella dei Programmi" riferiti al peso della biancheria asciutta.

Quanto pesa la biancheria?

- 1 lenzuolo 400-500 gr.
- 1 federa 150-200 gr.
- 1 tovaglia 400-500 gr.
- 1 accappatoio 900-1200 gr.
- 1 asciugamano 150-250 gr.

Programmi particolari

Antimacchia: il programma è adatto al lavaggio di capi molto sporchi, con colori resistenti. Il programma garantisce una classe di lavaggio superiore alla classe standard (classe A). Non eseguire il programma mescolando capi di colore diverso. Si consiglia l'utilizzo di detersivo in polvere. Per macchie ostinate è consigliato il pretrattamento con additivi specifici.

Cotone standard 20°: ideale per carichi in cotone sporchi. Le buone performance anche a freddo, compatibili con un lavaggio a 40°, sono garantite da un'azione meccanica che lavora con variazione di velocità a picchi ripetuti e ravvicinati.

Antiallergy: utilizzare il programma per la rimozione dei principali allergeni come polline, acari, peli del gatto e cane.

Lana: Il ciclo di lavaggio "Lana" di questa lavatrice Hotpoint-Ariston è stato testato e approvato dalla Woolmark Company per il lavaggio di capi in lana classificati come "lavabili a mano", purché il lavaggio venga eseguito nel rispetto delle istruzioni riportate sull'etichetta dell'indumento e delle indicazioni fornite dal produttore dell'elettrodomestico. Hotpoint-Ariston è la prima marca di lavatrici ad aver ottenuto dalla Woolmark Company la certificazione Woolmark Apparel Care - Platinum per le sue prestazioni di lavaggio e il consumo di acqua ed energia. (M1126)



Delicati: utilizzare il programma per il lavaggio dei capi molto delicati, che presentano applicazioni quali strass o paillettes.

Si raccomanda di rovesciare i capi prima del lavaggio e di inserire gli indumenti piccoli nell'apposito sacchetto per il lavaggio dei capi delicati.

Per risultati migliori si raccomanda l'utilizzo del detersivo liquido per capi delicati.

Per il lavaggio dei capi in **seta e tende**, selezionare il ciclo e attivare la funzione (in questo caso la funzione "Extra Risciacquo" sarà attiva); la macchina terminerà il ciclo con la biancheria in ammollo e la spia della funzione lampeggerà. Per scaricare l'acqua e poter rimuovere il bucato sarà necessario premere il tasto START/PAUSE o il tasto .

Sistema bilanciamento del carico

Prima di ogni centrifuga, per evitare vibrazioni eccessive e per distribuire il carico in modo uniforme, il cestello effettua delle rotazioni ad una velocità leggermente superiore a quella del lavaggio. Se al termine di ripetuti tentativi il carico non fosse ancora correttamente bilanciato la macchina effettua la centrifuga ad una velocità inferiore a quella prevista.

In presenza di eccessivo sbilanciamento la lavabiancheria effettua la distribuzione anziché la centrifuga. Per favorire una migliore distribuzione del carico e il suo corretto bilanciamento si consiglia di mescolare capi grandi e piccoli.

Precauzioni e consigli

! La lavabiancheria è stata progettata e costruita in conformità alle norme internazionali di sicurezza. Queste avvertenze sono fornite per ragioni di sicurezza e devono essere lette attentamente.

Sicurezza generale

- Questo apparecchio è stato concepito esclusivamente per un uso di tipo domestico.
- L'apparecchio non deve essere utilizzato da persone (bambini compresi) con capacità fisiche, sensoriali o mentali ridotte e con esperienze e conoscenze insufficienti, a meno che tale utilizzo non avvenga sotto la supervisione o le istruzioni di una persona responsabile della loro sicurezza. I bambini devono essere sorvegliati per garantire che non giochino con l'apparecchio.
- Non toccare la macchina a piedi nudi o con le mani o i piedi bagnati o umidi.
- Non staccare la spina dalla presa della corrente tirando il cavo, bensì afferrando la spina.
- Non aprire il cassetto dei detersivi mentre la macchina è in funzione.
- Non toccare l'acqua di scarico, che può raggiungere temperature elevate.
- Non forzare in nessun caso l'oblò: potrebbe danneggiarsi il meccanismo di sicurezza che protegge da aperture accidentali.
- In caso di guasto, in nessun caso accedere ai meccanismi interni per tentare una riparazione.
- Controllare sempre che i bambini non si avvicinino alla macchina in funzione.
- Durante il lavaggio l'oblò tende a scaldarsi.
- Se dev'essere spostata, lavorare in due o tre persone con la massima attenzione. Mai da soli perché la macchina è molto pesante.
- Prima di introdurre la biancheria controlla che il cestello sia vuoto.

Smaltimento

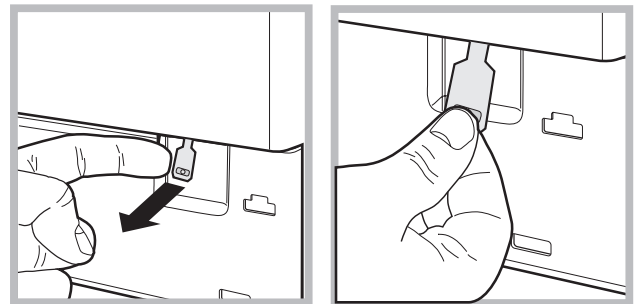
- Smaltimento del materiale di imballaggio: attenersi alle norme locali, così gli imballaggi potranno essere riutilizzati.
- La direttiva Europea 2012/19/EU sui rifiuti di apparecchiature elettriche ed elettroniche, prevede che gli elettrodomestici non debbano essere smaltiti nel normale flusso dei rifiuti solidi urbani. Gli apparecchi dismessi devono essere raccolti separatamente per ottimizzare il tasso di recupero e riciclaggio dei materiali che li compongono ed impedire potenziali danni per la salute e l'ambiente. Il simbolo del cestino barrato è riportato su tutti i prodotti per ricordare gli obblighi di raccolta separata. Per ulteriori informazioni, sulla corretta dismissione

degli elettrodomestici, i detentori potranno rivolgersi al servizio pubblico preposto o ai rivenditori.

Apertura manuale dell'oblò

Nel caso non sia possibile aprire l'oblò a causa della mancanza di energia elettrica e volete stendere il bucato, procedere come segue:

1. togliere la spina dalla presa di corrente.
2. verificare che il livello dell'acqua all'interno della macchina sia inferiore rispetto all'apertura dell'oblò; in caso contrario togliere l'acqua in eccedenza attraverso il tubo di scarico raccogliendola in un secchio.
3. utilizzando la linguetta indicata in figura tirare verso l'esterno fino a liberare il tirante in plastica dal fermo; tirarlo successivamente verso il basso e contemporaneamente aprire la porta.



Manutenzione e cura

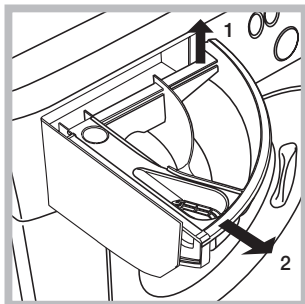
Escludere acqua e corrente elettrica

- Chiudere il rubinetto dell'acqua dopo ogni lavaggio. Si limita così l'usura dell'impianto idraulico della lavabiancheria e si elimina il pericolo di perdite.
- Staccare la spina della corrente quando si pulisce la lavabiancheria e durante i lavori di manutenzione.

Pulire la lavabiancheria

La parte esterna e le parti in gomma possono essere puliti con un panno imbevuto di acqua tiepida e sapone. Non usare solventi o abrasivi.

Pulire il cassetto dei detersivi



Sfilare il cassetto sollevandolo e tirandolo verso l'esterno (vedi figura). Lavarlo sotto l'acqua corrente; questa pulizia va effettuata frequentemente.

Curare oblò e cestello

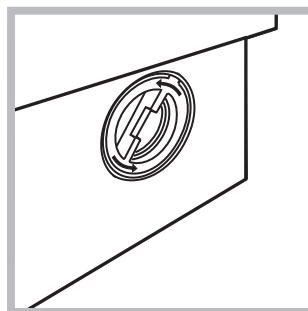
- Lasciare sempre socchiuso l'oblò per evitare che si formino cattivi odori.

Pulire la pompa

La lavabiancheria è dotata di una pompa autopulente che non ha bisogno di manutenzione. Può però succedere che piccoli oggetti (monete, bottoni) cadano nella precamera che protegge la pompa, situata nella parte inferiore di essa.

! Assicurarsi che il ciclo di lavaggio sia terminato e staccare la spina.

Per accedere alla precamera:



1. svitare il coperchio ruotandolo in senso antiorario (vedi figura): è normale che fuoriesca un po' d'acqua;

2. pulire accuratamente l'interno;
3. riavvitare il coperchio;

Controllare il tubo di alimentazione dell'acqua

Controllare il tubo di alimentazione almeno una volta all'anno. Se presenta screpolature e fessure va sostituito: durante i lavaggi le forti pressioni potrebbero provocare improvvise spaccature.

! Non utilizzare mai tubi già usati.

Anomalie e rimedi

Può accadere che la lavabiancheria non funzioni. Prima di telefonare all'Assistenza (vedi "Assistenza"), controllare che non si tratti di un problema facilmente risolvibile aiutandosi con il seguente elenco.

Anomalie:

La lavabiancheria non si accende.

Il ciclo di lavaggio non inizia.

La lavabiancheria non carica acqua (nel display apparirà la scritta "MANCA L'ACQUA, APRI IL RUBINETTO").

La lavabiancheria carica e scarica acqua di continuo.

La lavabiancheria non scarica o non centrifuga.

La lavabiancheria vibra molto durante la centrifuga.

La lavabiancheria perde acqua.

La macchina è bloccata, il display lampeggia e segnala un codice di anomalia (es.: F-01, F-..).

Si forma troppa schiuma.

Possibili cause / Soluzione:

- La spina non è inserita nella presa della corrente, o non abbastanza da fare contatto.
- In casa non c'è corrente.

- L'oblò non è ben chiuso.
- Il tasto ON/OFF non è stato premuto.
- Il tasto START/PAUSE non è stato premuto.
- Il rubinetto dell'acqua non è aperto.
- Si è impostato un ritardo sull'ora di avvio.

- Il tubo di alimentazione dell'acqua non è collegato al rubinetto.
- Il tubo è piegato.
- Il rubinetto dell'acqua non è aperto.
- In casa manca l'acqua.
- Non c'è sufficiente pressione.
- Il tasto START/PAUSE non è stato premuto.

- Il tubo di scarico non è installato fra 65 e 100 cm da terra (vedi "Installazione").
- L'estremità del tubo di scarico è immersa nell'acqua (vedi "Installazione").
- Lo scarico a muro non ha lo sfianto d'aria.

Se dopo queste verifiche il problema non si risolve, chiudere il rubinetto dell'acqua, spegnere la lavabiancheria e chiamare l'Assistenza. Se l'abitazione si trova agli ultimi piani di un edificio, è possibile che si verifichino fenomeni di sifonaggio, per cui la lavabiancheria carica e scarica acqua di continuo. Per eliminare l'inconveniente sono disponibili in commercio apposite valvole anti-sifonaggio.

- Il programma non prevede lo scarico: con alcuni programmi occorre avviarlo manualmente.
- È attiva la funzione STIRA FACILE: per completare il programma premere il tasto START/PAUSE ("Programmi e funzioni").
- Il tubo di scarico è piegato (vedi "Installazione").
- La condotta di scarico è ostruita.

- Il cestello, al momento dell'installazione, non è stato sbloccato correttamente (vedi "Installazione").
- La lavabiancheria non è in piano (vedi "Installazione").
- La lavabiancheria è stretta tra mobili e muro (vedi "Installazione").

- Il tubo di alimentazione dell'acqua non è ben avvitato (vedi "Installazione").
- Il cassetto dei detersivi è intasato (per pulirlo vedi "Manutenzione e cura").
- Il tubo di scarico non è fissato bene (vedi "Installazione").

- Spegnere la macchina e togliere la spina dalla presa, attendere circa 1 minuto quindi riaccenderla.
Se l'anomalia persiste, chiamare l'Assistenza.

- Il detersivo non è specifico per lavabiancheria (deve esserci la dicitura "per lavatrice", "a mano e in lavatrice", o simili).
- Il dosaggio è stato eccessivo.

Assistenza

Prima di contattare l'Assistenza:

- Verificare se l'anomalia può essere risolta da soli (vedi "Anomalie e rimedi").
- Riavviare il programma per controllare se l'inconveniente è stato ovviato;
- In caso negativo, contattare il Numero Unico 199.199.199*.

! Non ricorrere mai a tecnici non autorizzati.

Comunicare:

- il tipo di anomalia;
- il modello della macchina (Mod.);
- il numero di serie (S/N).

Queste informazioni si trovano sulla targhetta applicata nella parte posteriore della lavabiancheria e nella parte anteriore aprendo l'oblò.

Assistenza Attiva 7 giorni su 7



ASSISTENZA - RICAMBI - ACCESSORI
199.199.199 *
NUMERO UNICO

In caso di necessità d'intervento chiamare il Numero Unico Nazionale 199.199.199*. Un operatore sarà a completa disposizione per fissare un appuntamento con il Centro Assistenza Tecnico Autorizzato più vicino al luogo da cui si chiama. È attivo 7 giorni su 7, sabato e domenica compresi, e non lascia mai inascoltata una richiesta.

* Al costo di 14,25 centesimi di Euro al minuto (iva inclusa) dal Lun. al Ven. dalle 08:00 alle 18:30, il Sab. dalle 08:00 alle 13:00 e di 5,58 centesimi di Euro al minuto (iva inclusa) dal Lun. al Ven. dalle 18:30 alle 08:00, il Sab. dalle 13:00 alle 08:00 e i giorni festivi, per chi chiama da telefono fisso. Per chi chiama da radiomobile le tariffe sono legate al piano tariffario dell'operatore telefonico utilizzato. Le suddette tariffe potrebbero essere soggette a variazione da parte dell'operatore telefonico; per maggiori informazioni consultare il sito www.aristonchannel.com.

FICHE TECNICA - REGOLAMENTO DELEGATO (UE) N. 1061/2010 DELLA COMMISSIONE

Marchio	HOTPOINT/ARISTON
Modello	BWMD 742 (EU)
Capacità in kg di cotone	7.0
Classe di efficienza energetica su una scala da A+++ (basso consumo) a G (alto consumo)	A++
Consumo annuo di energia in kWh ¹⁾	187.0
Consumo di energia del programma cotone standard a 60°C a pieno carico in kWh ²⁾	1.105
Consumo di energia del programma cotone standard a 60°C a carico parziale in kWh ²⁾	0.605
Consumo di energia del programma cotone standard a 40°C a carico parziale in kWh ²⁾	0.577
Consumo di potenza in modo spento in W	0.5
Consumo di potenza in modo lasciato acceso in W	8.0
Consumo di acqua in litri/anno ³⁾	10038
Classe di efficacia di centrifuga su una scala da G (efficacia minima) ad A (efficacia massima)	B
Velocità massima di centrifuga raggiunta ⁴⁾	1400
Umidità residua ⁵⁾	53%
Durata del programma cotone standard a 60°C a pieno carico in minuti	190
Durata del programma cotone standard a 60°C a carico parziale in minuti	150
Durata del programma cotone standard a 40°C a carico parziale in minuti	145
Durata del modo lasciato acceso in minuti	30
Rumore in dB(A) re 1 pW in lavaggio ⁶⁾	42
Rumore in dB(A) re 1 pW in centrifuga ⁶⁾	66

¹⁾ Basato su 220 cicli di lavaggio cotone standard a 60°C e a 40°C a carico pieno e parziale e sul consumo nei modi di spento e lasciato acceso. Il consumo effettivo dipende dalla modalità di utilizzo della lavabiancheria.

²⁾ Il "cotone standard a 60°C" a carico pieno e parziale ed il "cotone standard a 40°C" a carico parziale sono i programmi di lavaggio standard ai quali fanno riferimento le informazioni sull'etichetta e sulla scheda, questi programmi sono adatti per lavare cotone normalmente sporco e sono i programmi più efficienti in termini di consumo combinato di energia e acqua. Il carico parziale è la metà del carico nominale.

³⁾ Basato su 220 cicli di lavaggio cotone standard a 60°C e a 40°C a carico pieno e parziale. Il consumo effettivo dipende dalla modalità di utilizzo dell'apparecchio.

⁴⁾ Valore minimo fra il programma cotone standard 60°C a pieno e metà carico e il cotone standard 40°C a metà carico.

⁵⁾ Valore massimo fra il programma cotone standard 60°C a pieno e metà carico e il cotone standard 40°C a metà carico.

⁶⁾ Misurato sul programma cotone standard a 60°C pieno carico.

ES

Español

BWMD 742

Sumario

Instalación, 30-31-32-33

Desembalaje y nivelación
Conexiones hidráulicas y eléctricas
Primer ciclo de lavado
Datos técnicos
Instrucciones para el instalador

Descripción de la lavadora, 34-35

Panel de control
Pantalla

Cómo efectuar un ciclo de lavado, 36

Programas y funciones, 37

Tabla de programas
Funciones de lavado

Detergentes y ropa, 38

Contenedor de detergentes
Preparar la ropa
Programas particulares
Sistema de equilibrado de la carga

Precauciones y consejos, 39

Seguridad general
Eliminaciones
Apertura manual de la puerta

Mantenimiento y cuidados, 40

Interrumpir el agua y la corriente eléctrica
Limpiar la lavadora
Limpiar el contenedor de detergentes
Cuidar la puerta y el cesto
Limpiar la bomba
Controlar el tubo de alimentación de agua

Anomalías y soluciones, 41

Asistencia, 42

ES

Instalación

ES

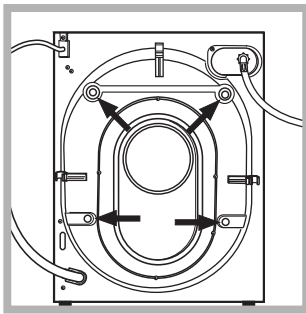
! Es importante conservar este manual para poder consultarlo en cualquier momento. En caso de venta, de cesión o de traslado, verifique que permanezca junto con la lavadora para informar al nuevo propietario sobre el funcionamiento y brindar las correspondientes advertencias.

! Lea atentamente las instrucciones: ellas contienen importante información sobre la instalación, el uso y la seguridad.

Desembalaje y nivelación

Desembalaje

1. Desembale la lavadora.
2. Controle que la lavadora no haya sufrido daños durante el transporte. Si estuviera dañada no la conecte y llame al revendedor.



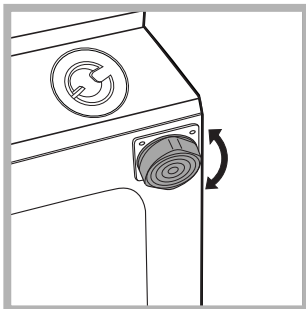
3. Quite los 4 tornillos de protección para el transporte y la arandela de goma con el correspondiente distanciador ubicados en la parte posterior (ver la figura).

4. Cubra los orificios con los tapones de plástico suministrados con el aparato.
5. Conserve todas las piezas: cuando la lavadora deba ser transportada nuevamente, deberán volver a colocarse.

! Los embalajes no son juguetes para los niños.

Nivelación

1. Instale la lavadora sobre un piso plano y rígido, sin apoyarla en las paredes, muebles ni en ningún otro aparato.

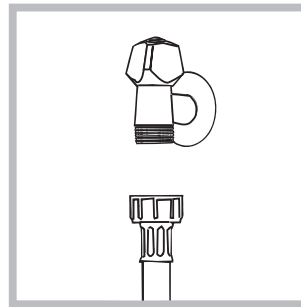


2. Si el piso no está perfectamente horizontal, compense las irregularidades desenroscando o enroscando las patas delanteras (ver la figura); el ángulo de inclinación medido sobre la superficie de trabajo, no debe superar los 2°.

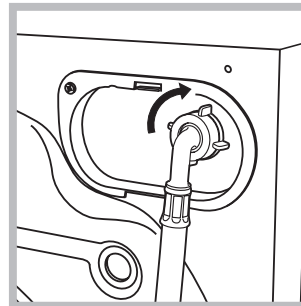
Una cuidadosa nivelación brinda estabilidad a la máquina y evita vibraciones, ruidos y desplazamientos durante el funcionamiento. Cuando se instala sobre moquetas o alfombras, regule los pies para conservar debajo de la lavadora un espacio suficiente para la ventilación.

Conexiones hidráulicas y eléctricas

Conexión del tubo de alimentación de agua



1. Conectar el tubo de tubo enroscándolo a un grifo de agua fría con la boca rosca de 3/4 gas (ver la figura). Antes de conectarlo, haga correr el agua hasta que esté limpia.



2. Conecte el tubo de alimentación a la lavadora enroscándolo en la toma de agua correspondiente ubicada en la parte posterior derecha (arriba) (ver la figura).

3. Controle que en el tubo no hayan pliegues ni estrangulaciones.

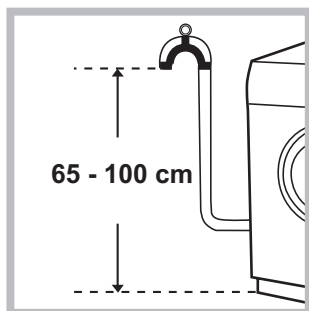
! La presión de agua del grifo debe estar comprendida dentro de los valores contenidos en la tabla de Datos técnicos (ver la página correspondiente).

! Si la longitud del tubo de alimentación no es la suficiente, diríjase a un negocio especializado o a un técnico autorizado.

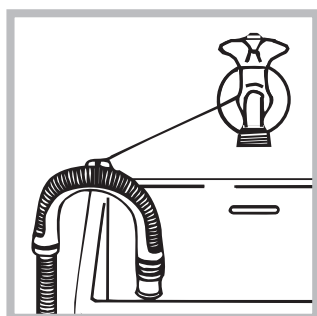
! No utilice nunca tubos ya usados.

! Utilice los suministrados con la máquina.

Conexión del tubo de descarga



Conecte el tubo de descarga, sin plegarlo, a una tubería de descarga o a una descarga de pared colocadas a una altura del piso entre 65 y 100 cm;



o apóyelo en el borde de un lavamanos o de una bañera, uniendo la guía suministrada con el aparato, al grifo (ver la figura). El extremo libre del tubo de descarga no debe permanecer sumergido en el agua.

! No se aconseja utilizar tubos de prolongación, si fuera indispensable hacerlo, la prolongación debe tener el mismo diámetro del tubo original y no superar los 150 cm.

Conexión eléctrica

Antes de enchufar el aparato, verifique que:

- la toma tenga la conexión a tierra y haya sido hecha según las normas legales;
- la toma sea capaz de soportar la carga máxima de potencia de la máquina indicada en la tabla de Datos técnicos (ver al costado);
- la tensión de alimentación esté comprendida dentro de los valores indicados en la tabla de Datos técnicos (ver al costado);
- la toma sea compatible con el enchufe de la lavadora. Si no es así, sustituya la toma o el enchufe.

! La lavadora no debe ser instalada al aire libre, ni siquiera si el lugar está reparado, ya que es muy peligroso dejarla expuesta a la lluvia o a las tormentas.

! Una vez instalada la lavadora, la toma de corriente debe ser fácilmente accesible.

! No utilice prolongaciones ni conexiones múltiples.

! El cable no debe estar plegado ni sufrir compresiones.

! El cable de alimentación debe ser sustituido sólo por técnicos autorizados.

¡Atención! La empresa fabricante declina toda responsabilidad en caso de que estas normas no sean respetadas.

Primer ciclo de lavado

Después de la instalación y antes del uso, realice un ciclo de lavado con detergente y sin ropa, seleccionando el programa □ (60°C).

Datos técnicos

Modelo	BWMD 742
Dimensiones	ancho 59,5 cm. altura 81,5 cm. profundidad 54,5 cm.
Capacidad	de 1 a 7 kg.
Conexiones eléctricas	ver la placa de características técnicas aplicada en la máquina
Conexiones hídricas	presión máxima 1 MPa (10 bar) presión mínima 0,05 MPa (0,5 bar) capacidad del cesto 52 litros
Velocidad de centrifugado	máxima 1400 r.p.m.
Programas de control según las directivas 1061/2010 y 1015/2010	programa □ (60°) (1° vez que se presiona el botón); Algodón normal 60°C. programa □ (40°) (2° vez que se presiona el botón); Algodón normal 40°C.



Esta máquina cumple con lo establecido por las siguientes Directivas de la Comunidad:

- 2004/108/CE (Compatibilidad Electromagnética)
- 2012/19/EU
- 2006/95/CE (Baja Tensión)

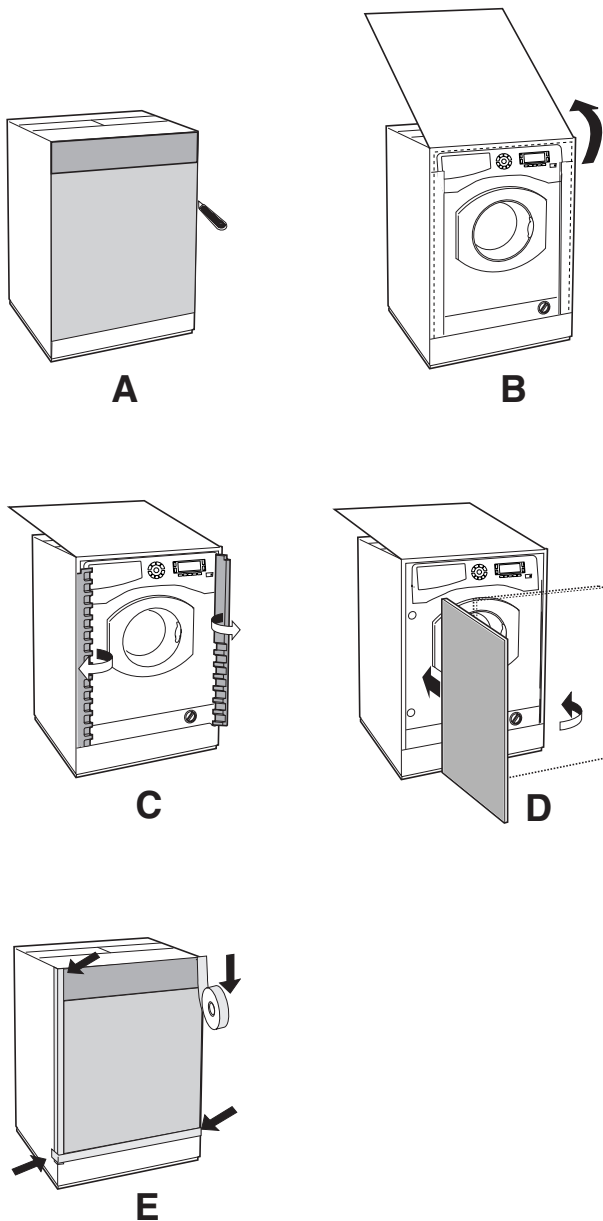


Instrucciones para el instalador

Aplicación del panel de madera en la puerta e introducción de la máquina en los muebles:

En el caso en que, después del montaje del panel de madera, sea necesario trasladar la máquina para su instalación final, aconsejamos dejarla en su embalaje original. Debido a ello, el embalaje ha sido realizado en modo tal que permita el montaje del panel de madera en la máquina sin desembalar completamente el producto (*ver las figuras siguientes*).

El panel de madera que cubre la parte delantera debe ser de un espesor mayor de **18 mm** y puede ser embisagrado ya sea a la derecha o a la izquierda. Por motivos de practicidad en el uso de la máquina, se aconseja el mismo sentido de apertura de la portilla, o sea con las bisagras aplicadas a la izquierda.



Accesorios montaje puerta (Fig. 1-2-3-4-5).

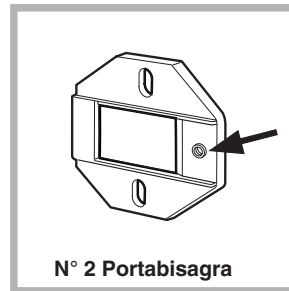


Fig. 1

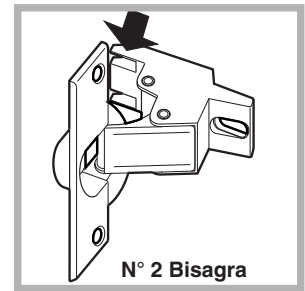


Fig. 2

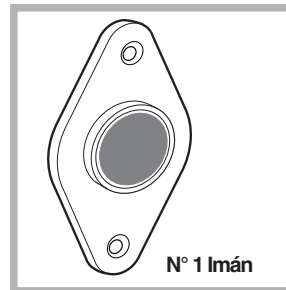


Fig. 3



Fig. 4

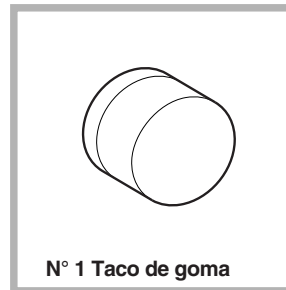


Fig. 5

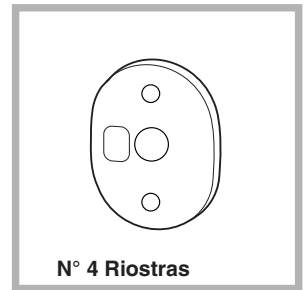


Fig. 4/B

- n° 6 tornillos de autoenroscado l = 13 mm "tipo **A**".
- n° 2 tornillos métricos de cabeza avellanada l = 25 mm "tipo **B**"; para la fijación, al mueble, del imán de atracción.
- n° 4 tornillos métricos l = 15 mm "tipo **C**"; para el montaje de los portabisagra en el mueble.
- n° 4 tornillos métricos l = 7 mm "tipo **D**"; para el montaje de las bisagras en los portabisagra.

Montaje de las piezas en la parte delantera de la máquina.

- Montar los soportes cremallera en la parte frontal posicionando el orificio indicado con una flecha en la *fig. 1* hacia adentro de la cara interponiendo una riostra (*fig. 4/B*), empleando los tornillos tipo **C**.
- Montar el tope magneto de la parte opuesta arriba interponiendo dos riostras (*fig. 4/B*) utilizando los dos tornillos tipo **B**.

Uso de la guía para taladrar.

- Para marcar las posiciones de los orificios en la parte izquierda del panel, alinear el patrón de perforación en la parte superior e izquierda de dicho panel, tomando como referencia las líneas trazadas en los extremos.
- Para marcar las posiciones de los orificios en la parte derecha del panel, alinear el patrón de perforación en la parte superior y derecha de dicho panel.
- Con una fresa de las dimensiones adecuadas realizar los cuatro orificios que deberán alojar las dos bisagras, el taco de goma y el imán.

Montaje de las piezas en la puerta.

- Introducir las bisagras en los orificios correspondientes (la parte móvil de la bisagra debe encontrarse hacia el exterior del panel) y fijarlas con 4 tornillos de tipo **A**.
 - Introducir el imán en el orificio ubicado arriba en la parte opuesta a las bisagras y fijarlo con dos tornillos de tipo **B**.
 - Introducir el taco de goma en el orificio ubicado abajo.
- A partir de este momento, el panel está listo para ser montado en la máquina.

Montaje del panel en la máquina.

Introducir la punta de la bisagra, indicada por la flecha en la *fig. 2* en el orificio del portabisagra, empujar el panel hacia la parte delantera de la máquina y fijar las dos bisagras con los dos tornillos de tipo **D**.

Fijación de la guía del zócalo.

Si la máquina ha sido instalada en un extremo de los muebles de la cocina, montar una o ambas guías del zócalo como se indica en la *fig. 8*, regulando su profundidad en función de la posición del zócalo y si es necesario fijarlo a las mismas (*fig. 9*). Para instalar la guía del zócalo realice las siguientes operaciones (*fig. 8*):

Fije la escuadra **P** con el tornillo **R**, introduzca la guía del zócalo **Q** en la ranura correspondiente y una vez ubicada en el punto deseado, fije la escuadra **P** con el tornillo **R**.

Colocación de la máquina en los muebles.

- Empujar la máquina en el espacio destinado a él alineándola con los otros muebles (*fig. 6*).
- Accionar las patitas de regulación para llevar la máquina a la altura deseada.
- Para regular la posición del panel de madera en sentido vertical y horizontal, accionar los tornillos **C** y **D** como se indica en la *fig. 7*.

Importante: cierre la parte inferior del frente con el zócalo apoyado en el piso.

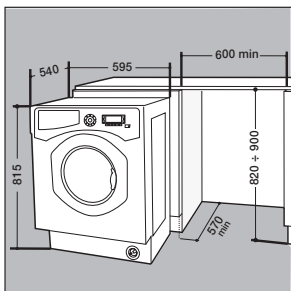


Fig. 6

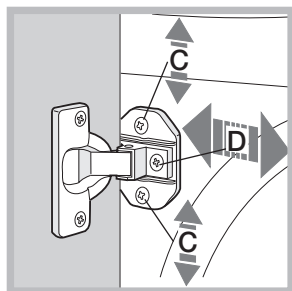


Fig. 7

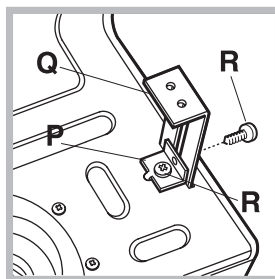


Fig. 8

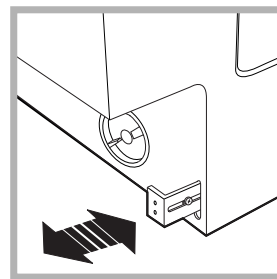


Fig. 9

Accesorios suministrados con la lavadora para regular la altura.

Ubicados en la tapa de poliestireno (*fig. 10*) se encuentran: 2 travesaños (**G**); 1 listón (**M**)

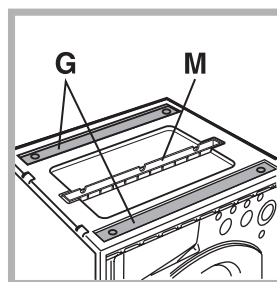


Fig. 10

dentro del cesto se encuentran: 4 patas adicionales (**H**), 4 tornillos (**I**), 4 tornillos (**R**), 4 tuercas (**L**), 2 guías para el zócalo (**Q**)

Regulación de la altura de la lavadora.

Se puede regular la altura de la lavadora (de **815 mm** a **835 mm**) mediante las **4** patas.

Si se desea instalar a una altura superior a la indicada precedentemente, hasta **870 mm**, es necesario utilizar los siguientes accesorios:

- los 2 travesaños (**G**); las 4 patas (**H**); los 4 tornillos (**I**); las 4 tuercas (**L**), actuando del siguiente modo (*fig. 11*): extraer las **4** patas originales, colocar un travesaño **G** en la parte delantera de la lavadora, fijarlo con los tornillos **I** (enroscándolos en los orificios donde estaban montadas las patas originales), luego introducir las nuevas patas **H**.
- Repetir la misma operación en la parte posterior de la lavadora.
- A continuación, regulando las nuevas patas **H**, la lavadora se puede bajar o levantar de **835 mm** a **870 mm**.
- Una vez alcanzada la altura deseada, bloquear las tuercas **L** al travesaño **G**.
- Para regular la lavadora a una altura comprendida entre **870 mm** y **900 mm**., es necesario montar el listón **M** regulando las patas **H** hasta la altura deseada.
- Para instalar el listón, realice las siguientes operaciones: afloje los tres tornillos **N** ubicados en la parte delantera de la cubierta Top, introduzca el listón **M** como se indica en la *fig. 12*, luego aprete los tornillos **N**.

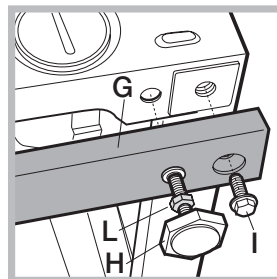


Fig. 11

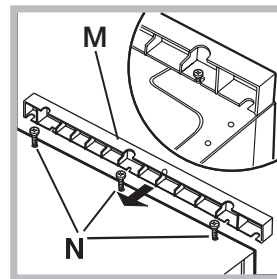
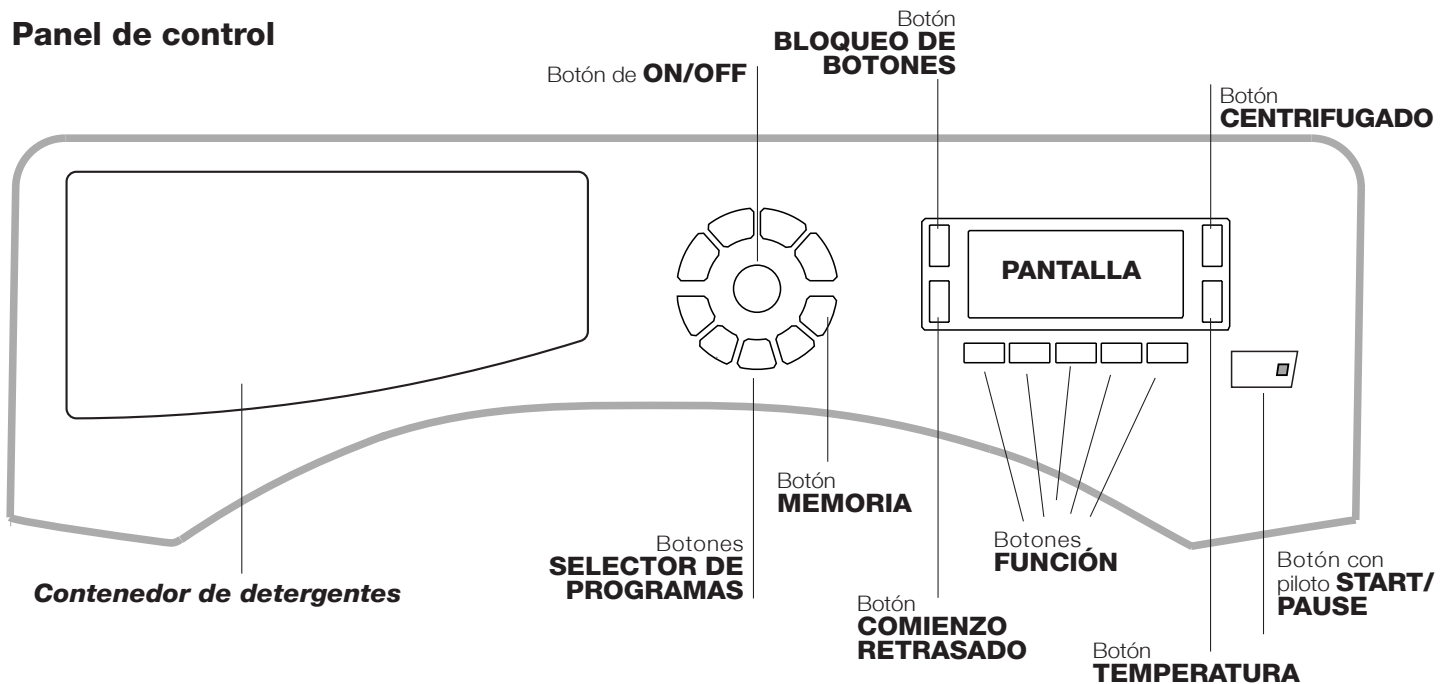


Fig. 12


Descripción de la lavadora

ES

Panel de control




Contenedor de detergentes: para cargar detergentes y aditivos (ver "Detergentes y ropa").

Botón **ON/OFF** : presione brevemente el botón para encender o apagar la máquina. El piloto START/PAUSE que centellea lentamente de color verde indica que la máquina está encendida. Para apagar la lavadora durante el lavado, es necesario mantener presionado el botón durante más tiempo, aproximadamente 2 seg.; si se presiona en forma más breve o accidental, la máquina no se apagará. Si la máquina se apaga durante un lavado en curso, dicho lavado se anulará.



Botones **SELECTOR DE PROGRAMAS:** para seleccionar el programa deseado (ver "Tabla de programas").

Botón **MEMORIA:** mantenga presionado el botón para memorizar un ciclo y las personalizaciones deseadas. Para llamar un ciclo precedentemente memorizado, presione el botón MEMO.


Botones **FUNCIÓN:** presione el botón para seleccionar la función deseada. En la pantalla se iluminará el piloto correspondiente.

Botón **CENTRIFUGADO** : presiónelo para disminuir o excluir totalmente el centrifugado - el valor se indica en la pantalla.

Botón **TEMPERATURA** : presiónelo para disminuir la temperatura: el valor se indica en la pantalla.

Botón **BLOQUEO DE BOTONES** : para **activar** el bloqueo del panel de control, mantenga presionado el botón durante 2 segundos aproximadamente. El símbolo  encendido indica que el panel de control está bloqueado. De este modo, se evitan modificaciones accidentales de los programas, sobre todo si en la casa hay niños. Para **desactivar** el bloqueo del panel de control, mantenga presionado el botón durante 2 segundos aproximadamente.

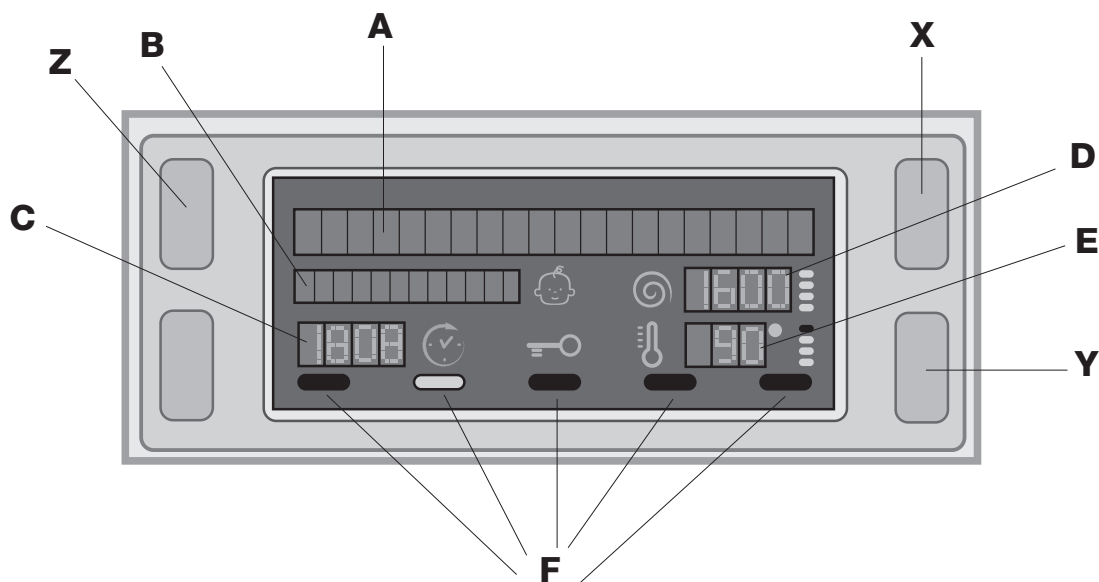
Botón **COMIENZO RETRASADO** : presiónelo para seleccionar el comienzo retrasado del programa elegido. El retraso se indicará en la pantalla.

Botón con piloto **START/PAUSE:** cuando el piloto verde centellea lentamente, presione el botón para que comience el lavado. Una vez que el ciclo ha comenzado, el piloto se mantiene fijo. Para poner en pausa el lavado, presione nuevamente el botón; el piloto centelleará con un color anaranjado. Si el símbolo  no está iluminado, se podrá abrir la puerta. Para que el lavado se reanude a partir del momento en el cual fue interrumpido, presione nuevamente el botón.

Modalidad de stand by

Esta lavasecadora está en conformidad con las nuevas normativas vinculadas al ahorro energético. Está dotada de un sistema de auto-apagado (stand by) que, en caso de no funcionamiento, se activa pasados aproximadamente 30 minutos. Presionar brevemente el botón ON/OFF y esperar que la máquina se active.

Pantalla



La pantalla es útil para programar la máquina y brinda múltiple información.

En las dos series superiores **A** y **B** se visualizan el programa de lavado seleccionado, la fase de lavado en curso y todas las indicaciones correspondientes al estado de avance del programa.

En la serie **C** se visualiza el tiempo que falta para que finalice el ciclo de lavado en curso y, si se hubiera fijado un COMIENZO RETRASADO, el tiempo que falta para que comience el programa seleccionado.

En la serie **D** se visualiza el valor máximo de velocidad de centrifugado que la máquina puede desarrollar según el programa seleccionado; si el programa no prevé el centrifugado, la serie permanece apagada.

En la serie **E** se visualiza el valor máximo de temperatura que se puede fijar según el programa seleccionado; si el programa no prevé la selección de temperatura, la serie permanece apagada.

Las series **F** corresponden a las funciones y se encienden cuando la función seleccionada es compatible con el programa elegido.

Símbolo **Puerta bloqueada**

El símbolo encendido indica que la puerta está bloqueada para impedir aperturas accidentales. Para evitar daños, se debe esperar que el símbolo se apague, antes de abrir la puerta.

Nota: si la función COMIENZO RETRASADO está activada, la puerta no se puede abrir, para abrirla se debe poner en pausa la máquina presionando el botón START/PAUSE.

! La primera vez que se enciende, se solicitará la elección del idioma y, para ello, la pantalla entrará automáticamente en el menú de selección de idioma.

Para elegir el idioma deseado, presione los botones **X** y **Y**, para confirmar la elección, presione el botón **Z**.

Si desea cambiar el idioma, apague la máquina, pulse **simultáneamente** los botones **X**, **Y**, **Z** hasta escuchar una señal sonora. Se visualizará de nuevo el menú de selección del idioma.


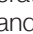
Cómo efectuar un ciclo de lavado


ES

1. **ENCENDER LA MÁQUINA.** Presione el botón , en la pantalla aparecerá la palabra BIENVENIDO; el piloto START/PAUSE centelleará lentamente de color verde.
2. **CARGAR LA ROPA.** Abra la puerta. Cargue la ropa, cuidando no superar la cantidad de carga indicada en la tabla de programas de la página siguiente.
3. **DOSIFICAR EL DETERGENTE.** Extraiga el contenedor y vierta el detergente en las cubetas correspondientes como se explica en “Detergentes y ropa”.
4. **CERRAR LA PUERTA.**
5. **ELEGIR EL PROGRAMA.** Presione uno de los botones del SELECTOR DE PROGRAMAS para seleccionar el programa deseado; el nombre del programa aparecerá en la pantalla; a dicho programa se le asociará una temperatura y una velocidad de centrifugado que se pueden modificar. En la pantalla aparecerá la duración del ciclo.
6. **PERSONALIZAR EL CICLO DE LAVADO.** Utilice los botones correspondientes:




Modificar la temperatura y/o el centrifugado.

La máquina selecciona automáticamente la temperatura y el centrifugado máximos previstos para el programa seleccionado y, por lo tanto, no se pueden aumentar. Presionando el botón  se disminuye progresivamente la temperatura hasta llegar al lavado en frío “OFF”. Presionando el botón  se disminuye progresivamente el centrifugado hasta su exclusión “OFF”. Si se presionan una vez más los botones, se volverá a los valores máximos previstos.

! Excepción: cuando se selecciona el programa  (60°C) (1ª vez que se presiona el botón), la temperatura se puede aumentar hasta 90°.



Seleccionar un comienzo retrasado.

Para seleccionar el comienzo retrasado del programa elegido, presione el botón correspondiente hasta alcanzar el tiempo de retraso deseado. Cuando dicha opción está activada, en la pantalla aparece el símbolo . Para eliminar el comienzo retrasado, presione el botón hasta que aparezca el mensaje OFF.

Modificar las características del ciclo.

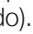

- Presione el botón para activar la función; el piloto correspondiente al botón se encenderá.
- Presione nuevamente el botón para desactivar la función; el piloto se apagará.

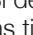
! Si la función seleccionada no es compatible con el programa elegido, el piloto centelleará y la función no se activará.

! Si la función elegida no es compatible con otra seleccionada precedentemente, el piloto correspondiente a la primera función seleccionada

centelleará y se activará sólo la segunda, el piloto de la función activada se iluminará.

! Las funciones pueden variar la carga recomendada y/o la duración del ciclo.

7. **PONER EN MARCHA EL PROGRAMA.** Presione el botón START/PAUSE. El piloto correspondiente se iluminará de color verde fijo y la puerta se bloqueará (símbolo PUERTA BLOQUEADA  encendido). Durante el lavado, en la pantalla aparecerá el nombre de la fase en curso. Para cambiar un programa mientras un ciclo está en curso, ponga la lavadora en pausa presionando el botón START/PAUSE (el piloto START/PAUSE centelleará lentamente de color anaranjado); luego seleccione el ciclo deseado y presione nuevamente el botón START/PAUSE. Para abrir la puerta mientras un ciclo está en curso, presione el botón START/PAUSE; si el símbolo PUERTA BLOQUEADA  está apagado, será posible abrir la puerta. Presione nuevamente el botón START/PAUSE para reanudar el programa a partir del momento en el que se había interrumpido.
8. **FIN DEL PROGRAMA.** En la pantalla aparecerá el mensaje “FIN DEL CICLO”, cuando el símbolo PUERTA BLOQUEADA  se apague, será posible abrir la puerta. Abra la puerta, descargue la ropa y apague la máquina.

! Si desea anular un ciclo que ya ha comenzado, presione más tiempo el botón . El ciclo se interrumpirá y la máquina se apagará.

Programas y funciones

Tabla de programas

Programas	Descripción del Programa	Temp. max. (°C)	Velocidad máx. (r.p.m.)	Detergents				Carga máx. (Kg)	Humedad residual %	Consumo de energía kWh	Agua total lt	Duración del ciclo
				Prelavado	Lavado	Suavizante	Blanqueador					
	Antimanchas	40°	1400	●	●	●	●	4	-	-	-	180'
	Algodón normal 60° (1) (1° vez que se presiona el botón): blancos y colores resistentes muy sucios.	60° (Max. 90°)	1400	● (3)	●	●	●	7	53	1,10	52,5	190'
	Algodón normal 40° (2) (2° vez que se presiona el botón): blancos y colores delicados poco sucios.	40°	1400	-	●	●	●	7	53	0,99	82	185'
	Algodón normal 20° (3) (3° vez que se presiona el botón): blancos y colores delicados poco sucios.	20°	1400	-	●	●	●	7	-	-	-	170'
	Sintético Resistente (1) (1° vez que se presiona el botón): colores resistentes muy sucios.	60°	800	●	●	●	●	3	44	0,93	47	110'
	Sintético Resistente (4) (1° vez que se presiona el botón): colores resistentes poco sucios.	40°	800	●	●	●	●	3	44	0,57	46	95'
	Sintético Delicado (2) (2° vez que se presiona el botón): colores resistentes poco sucios.	40°	800	●	●	●	●	3	-	-	-	70'
	Lavado Rápido 60° (1) (1° vez que se presiona el botón): para refrescar rápidamente prendas sucias (no se aconseja utilizarlo para lana, seda y prendas para lavar a mano).	60°	1400	-	●	●	-	3,5	53	0,81	40	60'
	Lavado Rápido 30° (2) (2° vez que se presiona el botón): para refrescar rápidamente prendas poco sucias (no se aconseja utilizarlo para lana, seda y prendas para lavar a mano).	30°	800	-	●	●	-	3	71	0,15	35	30'
M	Memoria: permite memorizar cualquier tipo de lavado.											
	Antialérgico	60°	1400	-	●	●	-	4	-	-	-	195'
	Woolmark Platinum (Lana): para lana, cachemira, etc.	40°	800	-	●	●	-	1,5	-	-	-	70'
	Delicados	30°	0	-	●	●	-	1	-	-	-	80'
	Centrifugado Rápido (1) (1° vez que se presiona el botón)	-	1400	-	-	-	-	7	-	-	-	16'
	Aclarado Algodón (2) (2° vez que se presiona el botón)	-	1400	-	-	●	●	7	-	-	-	36'
	Descarga (3) (3° vez que se presiona el botón)	-	0	-	-	-	-	7	-	-	-	2'

La duración del ciclo que se indica en el visor o en el manual es una estimación calculada en base a condiciones estándar. El tiempo efectivo puede variar en función de numerosos factores como la temperatura y la presión del agua de entrada, la temperatura ambiente, la cantidad de detergente, la cantidad y el tipo de carga, el equilibrado de la carga y las opciones adicionales seleccionadas.

1) Programa de control según la directiva 1061/2010: seleccione el programa a 60°C (1° vez que se presiona el botón).

Este ciclo es adecuado para limpiar una carga de algodón normalmente sucia, es el más eficiente en lo que se refiere al consumo combinado con la energía y la cantidad de agua y se usa con prendas lavables a 60°C. La temperatura efectiva de lavado puede diferir de la indicada.

2) Programa de control según la directiva 1061/2010: seleccione el programa a 40°C (2° vez que se presiona el botón).

Este ciclo es adecuado para limpiar una carga de algodón normalmente sucia, es el más eficiente en lo que se refiere al consumo combinado con la energía y la cantidad de agua y se usa con prendas lavables a 40°C. La temperatura efectiva de lavado puede diferir de la indicada.

3) A la temperatura de 60°C no se puede activar la función "Prelavado".

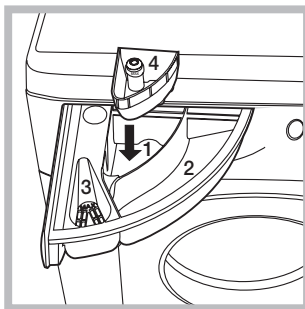
Para todos los Test Institutes:

2) Programa algodón largo: seleccione el programa a 40°C (2° vez que se presiona el botón).

4) Programa sintético largo: seleccione el programa a 60°C (1° vez que se presiona el botón); temperatura de 40°C (pulse el botón TEMPERATURA).

Funciones de lavado

Super Wash



Gracias al uso de una mayor cantidad de agua en la fase inicial del ciclo y a la mayor duración del programa, esta opción garantiza un lavado con óptimos resultados, es útil para eliminar las manchas más resistentes. Puede emplearse **con** o **sin** lejía. Si se desea efectuar también el blanqueado introducir la cubeta adicional **4** en dotación, en la cubeta **1**. Al dosificar el blanqueador, no supere el

nivel "max" indicado en el perno central (ver la figura). **Para realizar sólo el blanqueo, sin realizar un lavado completo,** verter el blanqueador en la cubeta adicional **4**, seleccionar el programa "Aclarado" y activar la opción "Super Wash".

El uso de la cubeta adicional 4 excluye el prelavado.

! No se puede activar con los programas (60°), (40°), "Centrifugado Rápido", "Descarga".

Aclarado Extra

Al elegir esta opción aumentará la eficacia del aclarado y se asegurará la máxima eliminación del detergente. Es útil para pieles particularmente sensibles.

! No se puede activar con los programas "Lavado Rápido 30°", "Centrifugado Rápido", "Descarga".

Fácil Planchado

Cuando se selecciona esta función, el lavado y el centrifugado se modificarán oportunamente para disminuir la formación de arrugas. Al finalizar el ciclo, la lavadora realizará lentas rotaciones del cesto; el indicador de función FÁCIL PLANCHADO y el de ON/OFF centellearán (naranja) y el mensaje "FIN DEL CICLO" aparecerá en la pantalla. Para finalizar el ciclo se deberá presionar el botón START/PAUSE o el botón FÁCIL PLANCHADO. Para descargar el agua y poder sacar la ropa, es necesario presionar el botón START/PAUSE o el botón FÁCIL PLANCHADO.

! No se puede activar con los programas "Lavado Rápido 30°",



Prelavado

Seleccionando esta función, se realiza el prelavado, muy útil para eliminar manchas difíciles.

Nota: agregue el detergente en el compartimento correspondiente.

! No se puede activar con los programas (60°), (40°), .

Eco Wash

La función Eco Wash contribuye al ahorro energético porque no calienta el agua utilizada para lavar la ropa, esto constituye una ventaja tanto para el ambiente como para la factura de electricidad. La mayor potencia y el consumo optimizado del agua, garantizan óptimos resultados para la misma duración promedio de un ciclo estándar. Para obtener los mejores resultados de lavado, se aconseja el uso de un detergente líquido.

! No se puede activar con los programas "Lavado Rápido 30°", "Centrifugado Rápido", "Descarga".

Detergentes y ropa

ES

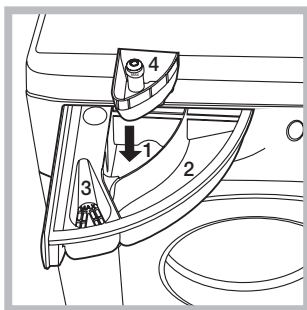
Contenedor de detergentes

El buen resultado del lavado depende también de la correcta dosificación del detergente: si se excede la cantidad, no se lava de manera más eficaz, sino que se contribuye a encostrar las partes internas de la lavadora y a contaminar el medio ambiente.

! Utilice detergentes en polvo para prendas de algodón blancas, para el prelavado y para lavados con una temperatura mayor que 60°C.

! Respete las indicaciones que se encuentran en el envase de detergente.

! No use detergentes para el lavado a mano porque producen demasiada espuma.



Extraiga el contenedor de detergentes e introduzca el detergente o el aditivo de la siguiente manera:

cubeta 1: Detergente para prelavado (en polvo)

Antes de verter el detergente, verifique que no esté colocada la cubeta adicional 4.

cubeta 2: Detergente para lavado (en polvo o líquido)

El detergente líquido se debe verter sólo antes de la puerta en marcha.

cubeta 3: Aditivos (suavizante, etc.)

El suavizante no se debe volcar fuera de la rejilla.

cubeta adicional 4: Blanqueador

Preparar la ropa

- Subdivida la ropa según:
 - el tipo de tejido / el símbolo en la etiqueta.
 - los colores: separe las prendas de color y las blancas.
- Vacíe los bolsillos y controle los botones.
- No supere los valores indicados en la "Tabla de Programas" referidos al peso de la ropa seca.

¿Cuánto pesa la ropa?

- 1 sábana 400/500 g
- 1 funda 150/200 g
- 1 mantel 400/500 g
- 1 albornoz 900/1200 g
- 1 toalla 150/250 g

Programas particulares

Antimancha: el programa es adecuado para el lavado de prendas muy sucias, con colores resistentes. El programa garantiza una clase de lavado superior a la clase estándar (clase A). No ejecute el programa mezclando prendas de distintos colores. Se aconseja el uso de detergente en polvo. Si las manchas son difíciles de eliminar, realice un pretratamiento con aditivos específicos.

Algodón normal 20°: ideal para cargas de prendas de algodón sucias. Los buenos rendimientos aún en frío, comparables con los de un lavado a 40°, están garantizados por una acción mecánica que trabaja con variación de velocidad con picos repetidos y cercanos.

Antialérgico: utilice el programa para la eliminación de los principales alérgenos como polen, ácaros, pelos de gato y de perro.

Lana: el ciclo de lavado "Lana" de esta lavadora Hotpoint-Ariston ha sido probado y aprobado por la Woolmark Company para el lavado de prendas de lana clasificadas como "lavables a mano", siempre que el lavado se realice respetando las instrucciones contenidas en la etiqueta de la prenda y las indicaciones suministradas por el fabricante del electrodoméstico. Hotpoint-Ariston es la primera marca de lavadoras que ha obtenido de la Woolmark Company la certificación Woolmark Apparel Care - Platinum por sus prestaciones de lavado y por el consumo de agua y energía. (M1126)



Delicados: utilice el programa para el lavado de las prendas muy delicadas que tienen aplicaciones como strass o lentejuelas. Se recomienda voltear las prendas antes del lavado e introducir las más pequeñas en la bolsa para el lavado de prendas delicadas.

Para obtener mejores resultados, se recomienda el uso de detergente líquido para prendas delicadas. Para el lavado de las prendas de **Seda** y **Cortinas**, seleccione el ciclo y active la función (en este caso también será posible activar la función "Aclarado Extra"); a máquina terminará el ciclo dejando la ropa en remojo y el piloto centelleará. Para descargar el agua y poder sacar la ropa, es necesario presionar el botón START/PAUSE o el botón .

Sistema de equilibrado de la carga

Antes de cada centrifugado, para evitar vibraciones excesivas y para distribuir la carga de modo uniforme, el cesto realiza rotaciones a una velocidad ligeramente superior a la del lavado. Si después de varios intentos, la carga todavía no está correctamente equilibrada, la máquina realiza el centrifugado a una velocidad inferior a la prevista. Cuando existe un excesivo desequilibrio, la lavadora realiza la distribución antes que el centrifugado. Para obtener una mejor distribución de la carga y su correcto equilibrado, se aconseja mezclar prendas grandes y pequeñas.

Precauciones y consejos

! La lavadora fue proyectada y fabricada en conformidad con las normas internacionales de seguridad. Estas advertencias se suministran por razones de seguridad y deben ser leídas atentamente.

Seguridad general

- Este aparato ha sido fabricado para un uso de tipo doméstico exclusivamente.
- El aparato no debe ser empleado por personas (niños incluidos) con capacidades físicas, sensoriales o mentales reducidas y con experiencias y conocimientos insuficientes, a menos que dicho uso no se realice bajo la supervisión o las instrucciones de una persona responsable de su seguridad. Los niños deben ser vigilados para asegurarse que no jueguen con el aparato.
- No toque la máquina con los pies desnudos ni con las manos o los pies mojados o húmedos.
- No desenchufe la máquina tirando el cable, sino tomando el enchufe.
- No abra el contenedor de detergentes mientras la máquina está en funcionamiento.
- No toque el agua de descarga porque puede alcanzar temperaturas elevadas.
- En ningún caso fuerce la puerta: podría dañarse el mecanismo de seguridad que la protege de aperturas accidentales.
- En caso de avería, no acceda nunca a los mecanismos internos para intentar una reparación.
- Controle siempre que los niños no se acerquen a la máquina cuando está en funcionamiento.
- Durante el lavado, la puerta tiende a calentarse.
- Si debe ser trasladada, deberán intervenir dos o más personas, procediendo con el máximo cuidado. La máquina no debe ser desplazada nunca por una sola persona ya que es muy pesada.
- Antes de introducir la ropa controle que el cesto esté vacío.

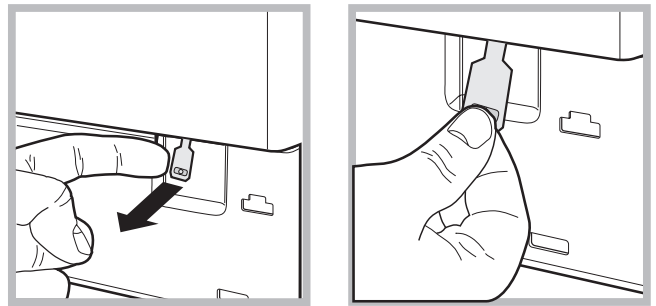
Eliminaciones

- Eliminación del material de embalaje: respete las normas locales, de ese modo, los embalajes podrán volver a ser utilizados.
- En base a la Norma europea 2012/19/EU de Residuos de aparatos Eléctricos y Electrónicos, los electrodomésticos viejos no pueden ser arrojados en los contenedores municipales habituales; tienen que ser recogidos selectivamente para optimizar la recuperación y reciclado de los componentes y materiales que los constituyen, y reducir el impacto en la salud humana y el medioambiente. El símbolo del cubo de basura tachado se marca sobre todos los productos para recordar al consumidor la obligación de separarlos para la recogida selectiva. El consumidor debe contactar con la autoridad local o con el vendedor para informarse en relación a la correcta eliminación de su electrodoméstico viejo.

Apertura manual de la puerta

Si desea sacar la ropa de la lavasecadora y no es posible abrir la puerta debido a un corte de energía eléctrica, proceda del siguiente modo:

1. desenchufe la máquina.
2. verifique que el nivel de agua en el interior de la máquina sea inferior al hueco de la puerta; si no es así, extraiga el agua en exceso utilizando el tubo de descarga y recogiéndola en un balde.
3. utilizando la lengüeta indicada en la figura, tire hacia fuera hasta liberar la varilla de plástico del retén; posteriormente tire hacia abajo y simultáneamente abra la puerta.



Mantenimiento y cuidados

ES

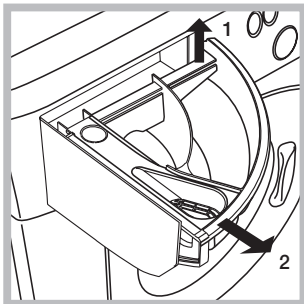
Interrumpir el agua y la corriente eléctrica

- Cierre el grifo de agua después de cada lavado. De este modo se limita el desgaste de la instalación hidráulica de la lavadora y se elimina el peligro de pérdidas.
- Desenchufe la máquina cuando la debe limpiar y durante los trabajos de mantenimiento.

Limpiar la lavadora

La parte externa y las partes de goma se pueden limpiar con un paño embebido en agua tibia y jabón. No use solventes ni productos abrasivos.

Limpiar el contenedor de detergentes



Extraiga el contenedor levantándolo y tirándolo hacia fuera (*ver la figura*). Lávelo debajo del agua corriente, esta limpieza se debe realizar frecuentemente.

Cuidar la puerta y el cesto

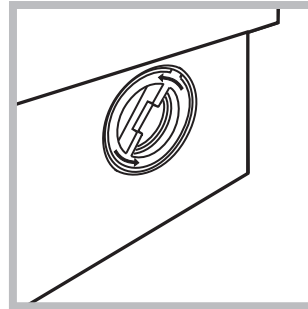
- Deje siempre semicerrada la puerta para evitar que se formen malos olores.

Limpiar la bomba

La lavadora posee una bomba autolimpiante que no necesita mantenimiento. Pero puede suceder que objetos pequeños (monedas, botones) caigan en la precámara que protege la bomba, situada en la parte inferior de la misma.

! Verifique que el ciclo de lavado haya terminado y desenchufe la máquina.

Para acceder a la precámara:



1. desenrosque la tapa girándola en sentido antihorario (*ver la figura*); es normal que se vuelque un poco de agua;

2. limpie con cuidado el interior;
3. vuelva a enroscar la tapa.

Controlar el tubo de alimentación de agua

Controle el tubo de alimentación al menos una vez al año. Si presenta grietas o rajaduras debe ser sustituido: durante los lavados, las fuertes presiones podrían provocar roturas imprevistas.

! No utilice nunca tubos ya usados.

Anomalías y soluciones

Puede suceder que la lavadora no funcione. Antes de llamar al Servicio de Asistencia Técnica (ver "Asistencia"), controle que no se trate de un problema de fácil solución utilizando la siguiente lista.

Anomalías:

Posibles causas / Solución:

La lavadora no se enciende.

- El enchufe no está introducido en la toma de corriente, o no hace contacto.
- En la casa no hay corriente.

El ciclo de lavado no comienza.

- La puerta no está correctamente cerrada.
- El botón ON/OFF no ha sido presionado.
- El botón START/PAUSE no ha sido presionado.
- El grifo de agua no está abierto.
- Se fijó un retraso de la hora de puesta en marcha.

La lavadora no carga agua (En la pantalla aparecerá el mensaje "Sin agua, revisar suministro").

- El tubo de alimentación de agua no está conectado al grifo.
- El tubo está plegado.
- El grifo de agua no está abierto.
- En la casa no hay agua.
- No hay suficiente presión.
- El botón START/PAUSE no ha sido presionado.

La lavadora carga y descarga agua continuamente.

- El tubo de descarga no está instalado entre los 65 y 100 cm. del suelo (ver "Instalación").
- El extremo del tubo de descarga está sumergido en el agua (ver "Instalación").
- La descarga de pared no posee un respiradero.

Si después de estas verificaciones, el problema no se resuelve, cierre el grifo de agua, apague la lavadora y llame a la Asistencia. Si la vivienda se encuentra en uno de los últimos pisos de un edificio, es posible que se verifiquen fenómenos de sifonaje, por ello la lavadora carga y descarga agua de modo continuo. Para eliminar este inconveniente se encuentran disponibles en el comercio válvulas especiales que permiten evitar el sifonaje.

La lavadora no descarga o no centrifuga.

- El programa no prevé la descarga: con algunos programas es necesario ponerla en marcha manualmente ("Programas y funciones").
- Se puede utilizar la función FÁCIL PLANCHADO: para completar el programa, pulse el botón START/PAUSE ("Programas y funciones").
- El tubo de descarga está plegado (ver "Instalación").
- El conducto de descarga está obstruido.

La lavadora vibra mucho durante la centrifugación.

- El cesto, en el momento de la instalación, no fue desbloqueado correctamente (ver "Instalación").
- La máquina no está instalada en un lugar plano (ver "Instalación").
- Existe muy poco espacio entre la máquina, los muebles y la pared (ver "Instalación").

La lavadora pierde agua.

- El tubo de alimentación de agua no está bien enroscado (ver "Instalación").
- El contenedor de detergentes está obstruido (para limpiarlo ver "Mantenimiento y cuidados").
- El tubo de descarga no está bien fijado (ver "Instalación").

La máquina está bloqueada, la pantalla centellea e indica un código de anomalía (por ej.: F-01, F-..).

- Apague la máquina y desenchúfela, espere aproximadamente 1 minuto y luego vuelva a encenderla.
Si la anomalía persiste, llame al Servicio de Asistencia Técnica.

Se forma demasiada espuma.

- El detergente no es específico para la lavadora (debe contener algunas de las frases "para lavadora", "a mano o en lavadora" o similares).
- La dosificación fue excesiva.

Asistencia

ES

Antes de llamar al Servicio de Asistencia Técnica:

- Verifique si la anomalía la puede resolver Ud. solo (ver "Anomalías y soluciones");
 - Vuelva a poner en marcha el programa para controlar si el inconveniente fue resuelto;
 - Si no es así, llame al Servicio de Asistencia técnica autorizado, al número de teléfono indicado en el certificado de garantía.
- ! No recurra nunca a técnicos no autorizados.

Comunique:

- el tipo de anomalía;
- el modelo de la máquina (Mod.);
- el número de serie (S/N).

Esta información se encuentra en la placa aplicada en la parte posterior de la lavadora y en la parte delantera abriendo la puerta.

La siguiente información es válida solo para España. Para otros países de habla hispana consulte a su vendedor.

Ampliación de garantía

Llame al **902.363.539** y le informaremos sobre el fantástico plan de ampliación de garantía hasta 5 años.

Consiga una cobertura total adicional de

- Piezas y componentes
- Mano de obra de los técnicos
- Desplazamiento a su domicilio de los técnicos

Y NO PAGUE AVERIAS NUNCA MAS

Servicio de asistencia técnica (SAT)

Llame al **902.133.133** y nuestros técnicos intervendrán con rapidez y eficacia, devolviendo el electrodoméstico a sus condiciones óptimas de funcionamiento. En el SAT encontrará recambios, accesorios y productos específicos para la limpieza y mantenimiento de su electrodoméstico a precios competitivos. ESTAMOS A SU SERVICIO

REGLAMENTO DELEGADO (UE) N° 1061/2010 DE LA COMISIÓN

Marca	HOTPOINT/ARISTON
Modelo	BWMD 742 (EU)
Capacidad medida en kg de algodón	7.0
Clase de eficiencia energética sobre una escala de A+++ (bajo consumo) a G (alto consumo)	A++
Consumo anual de energía in kWh ¹⁾	187.0
Consumo de energía del programa de algodón estándar a 60°C a plena carga in kWh ²⁾	1.105
Consumo de energía del programa de algodón estándar a 60° C a media carga en kWh ²⁾	0.605
Consumo de energía del programa de algodón estándar a 40°C a media carga en kWh ²⁾	0.577
Consumo de potencia en modo apagado en W	0.5
Consumo de potencia en modo encendido en W	8.0
Consumo de agua en litros/año ³⁾	10038
Clase de eficacia de centrifugado sobre una escala de G (eficacia mínima) a A (eficacia máxima)	B
Velocidad máxima de centrifugado ⁴⁾	1400
Humedad residual ⁵⁾	53%
Duración del programa algodón estándar a 60°C a plena carga en minutos	190
Duración del programa algodón estándar 60°C con media carga en minutos	150
Duración del programa algodón estándar a 40°C con media carga en minutos	145
Duración del modo encendido en minutos	30
Nivel de ruido en dB (A) re 1 pW lavado ⁶⁾	42
Nivel de ruido en dB (A) re 1 pW centrifugado ⁶⁾	66

¹⁾ El ciclo "algodón estándar a 60°C" con carga total y parcial y el "ciclo algodón estándar a 40°C" con carga parcial son los programas de referencia en la información relacionada con las etiquetas y fichas energéticas. Los ciclos algodón estándar 60°C y algodón estándar 40°C son los indicados para lavar una colada de algodón y los más eficientes en términos de consumo combinado de agua y energía. La carga parcial representa la mitad sobre la carga medida.

²⁾ Basado en 220 ciclos de lavado estándar de programas de algodón a 60°C y a 40°C a carga plena y parcial, y en el modo de bajo consumo. El consumo de energía dependerá de cómo el aparato es utilizado.

³⁾ Basado en 220 ciclos de lavado estándar de programas de algodón a 60°C y a 40°C a carga plena y parcial. El consumo de agua dependerá de cómo el aparato es utilizado.

⁴⁾ Para el ciclo estándar de 60°C con carga parcial y total o el de 40°C con carga parcial allí donde sea más bajo.

⁵⁾ Obtenido para algodón 60°C con carga parcial y total o el de 40°C con carga parcial donde sea más alto.

⁶⁾ Basado en fases de lavado y centrifugado para el programa estándar de algodón 60°C aq carga completa.

CIS

Русский

BWMD 742

Содержание

Установка 44-45-46-47

Распаковка и нивелировка

Подключение к водопроводной и электрической сети

Первый цикл стирки

Технические характеристики

Инструкции по монтажу оборудования

Описание стиральной машины, 48-49

Панель управления

Дисплей

Порядок выполнения цикла стирки, 50

Программы и функции, 51

Таблица программ

Функции стирки

Стиральные вещества и типы белья, 52

Распределитель моющих средств

Подготовка белья

Специальные программы

Система балансировки белья

Предосторожности и рекомендации, 53

Общие требования к безопасности

Утилизация

Аварийное открытие люка

Техническое обслуживание и уход, 54

Отключение воды и электрического тока

Уход за стиральной машиной

Уход за распределителем моющих средств

Уход за люком и барабаном

Уход за насосом

Проверка водопроводного шланга

Неисправности и методы их устранения, 55

Сервисное обслуживание, 56



АЮ 77

Установка

CIS

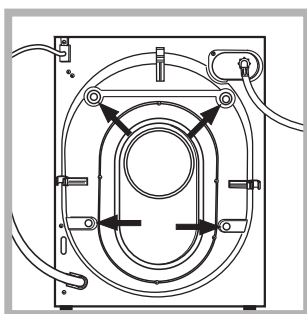
! Сохраните данное руководство. Оно должно быть в комплекте со стиральной машиной в случае продажи, передачи оборудования или при переезде на новую квартиру, чтобы новый владелец оборудования мог ознакомиться с правилами его функционирования и обслуживания.

! Внимательно прочитайте руководство: в нем содержатся важные сведения по установке и безопасной эксплуатации стиральной машины.

Распаковка и выравнивание

Распаковка

1. Распакуйте стиральную машину.
2. Убедитесь, что оборудование не было повреждено во время транспортировки. При обнаружении повреждений – не подключайте машину – свяжитесь с поставщиком немедленно.



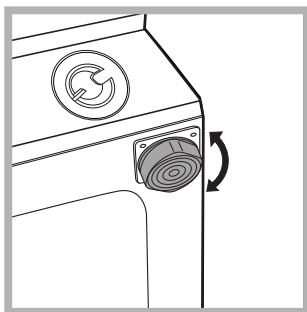
3. Удалите четыре транспортировочных винта и резиновые пробки с прокладками, расположенные в задней части стиральной машины (см. рис.).

4. Закройте отверстия прилагающимися пластиковыми заглушками.
5. Сохраняйте все детали: они Вам понадобятся при последующей транспортировке стиральной машины.

! Не разрешайте детям играть с упаковочными материалами.

Выравнивание

1. Установите стиральную машину на ровном и прочном полу, так чтобы она не касалась стен, мебели и прочих предметов.



2. После установки машины на место отрегулируйте ее устойчивое положение путем вращения передних ножек (см. рис.). Для этого сначала ослабьте контргайку, после завершения регулировки контргайку затяните.

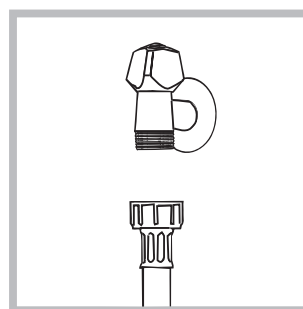
После установки машины на место проверьте по уровню горизонтальность верхней крышки корпуса, отклонение горизонтали должно быть не более 2°.

Правильное выравнивание оборудования поможет избежать шума, вибраций и смещений во время работы машины.

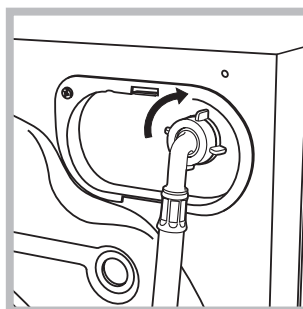
Если стиральная машина стоит на полу, покрытом ковром, убедитесь, что ее основание возвышается над ковром. В противном случае вентиляция будет затруднена или вовсе невозможна.

Подключение к водопроводной и электрической сети

Подсоединение заливного шланга



1. Прикрутите шланг подачи к крану холодной воды с резьбовым отверстием 3/4 газ (см. схему). Перед подсоединением откройте водопроводный кран до тех пор, пока из него не потечет чистая вода.



2. Подсоедините заливной шланг к стиральной машине, навинтив его на водоприемник, расположенный в задней верхней части справа (см. рис.).

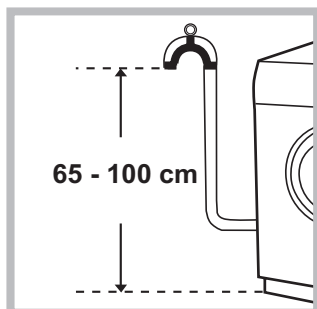
3. Убедитесь, что шланг не перекручен и не пережат.

! Давление воды должно быть в пределах значений, указанных в таблице Технических характеристик (см. с. 3).

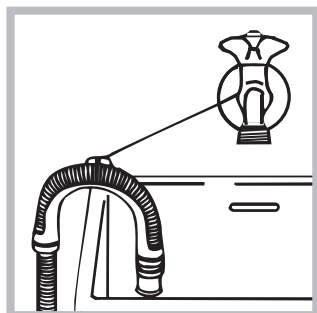
! Если длина водопроводного шланга окажется недостаточной, обратитесь в Авторизованный сервисный центр.

! Никогда не используйте шланги, бывшие в употреблении.

Подсоединение сливного шланга



Подсоедините сливной шланг, не перегибая его, к сливной трубе или к настенному сливному отверстию, расположенному на высоте от 65 до 100 см от пола,



или поместите шланг в раковину или в ванну, закрепив прилегающую направляющую к крану (см. схему). Свободный конец сливного шланга не должен быть погружен в воду.

! Не рекомендуется использовать удлинительные шланги. При необходимости удлинение должно иметь такой же диаметр, что и оригинальный шланг, и его длина не должна превышать 150 см.

Подключение к электросети

Перед включением изделия в розетку электросети необходимо проверить следующее:

- заземляющий контакт двухполюсной розетки должен быть соединён с заземлением и соответствовать нормативам;
- розетка электросети должна быть рассчитана на максимальную мощность стиральной машины, указанную в таблице Технические данные (см. таблицу сбоку);
- напряжение электросети должно соответствовать значениям, указанным в таблице Технические данные (см. таблицу сбоку);
- электрическая розетка и штепсельная вилка стиральной машины должны быть одного типа. В противном случае необходимо заменить розетку.

! Запрещается устанавливать стиральную машину на улице, даже под навесом, так как опасно подвергать ее воздействию дождя и грозы.

! Стиральная машина должна быть расположена таким образом, чтобы доступ к розетке электросети оставался свободным.

! Не используйте удлинители и тройники.

! Сетевой кабель изделия не должен быть согнут или сжат.

! Замена сетевого кабеля может осуществляться только уполномоченными сервисными центрами.

Внимание! Фирма снимает с себя всякую ответственность в случае несоблюдения вышеописанных правил.

Первый цикл стирки

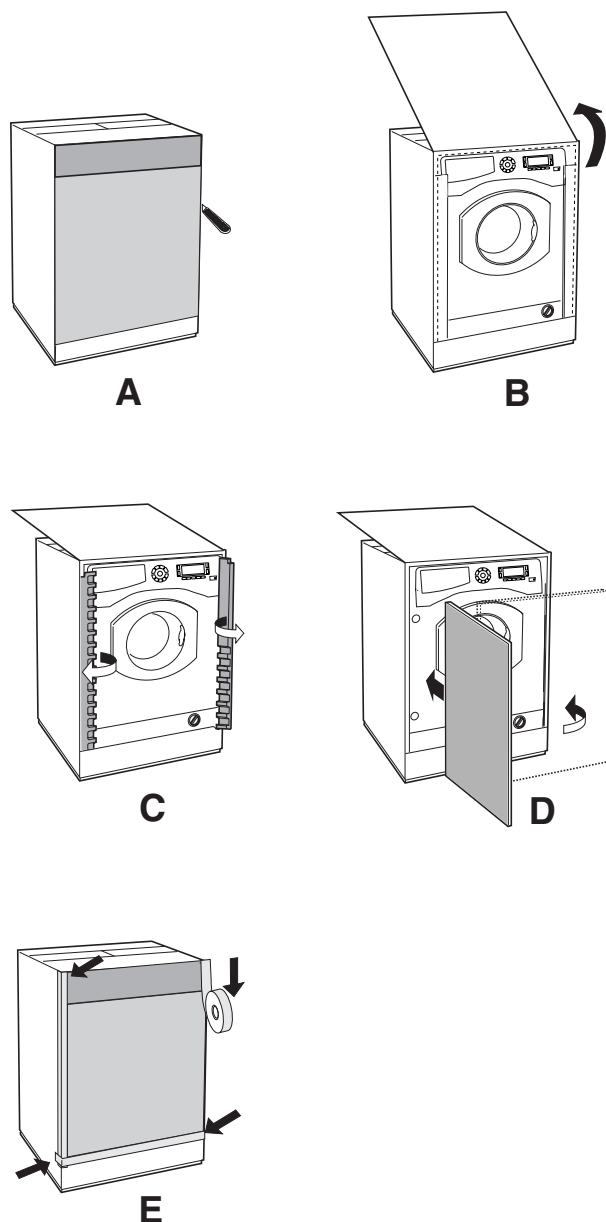
По завершении установки, перед началом эксплуатации необходимо произвести один цикл стирки со стиральным порошком, но без белья, по программе (60° C).

Технические данные	
Модель	BWMD 742
Страна-изготовитель	Италия
Габаритные размеры	ширина 59,5 см. высота 81,5 см. глубина 54,5 см.
Вместимость	от 1 до 7 кг
Номинальное значение напряжения электропитания или диапазон напряжения	220-240 V ~
максимальную мощность	1850 W
Условное обозначение рода электрического тока или номинальная частота переменного тока	50 Hz
Класс защиты от поражения электрическим током	Класс защиты I
Водопроводное подсоединение	максимальное давление 1 МПа (10 бар) минимальное давление 0,05 МПа (0,5 бар) емкость барабана 52 литра
Скорость отжима	до 1400 оборотов в минуту
Программы управления в соответствии с Директивой EN 60456	программа (1 нажатие кнопки); температура 60°C; при загрузке до 7 кг.
	Данное изделие соответствует следующим Директивам Европейского Сообщества: - 2004/108/CE (Электромагнитная совместимость); - 2006/95/CE (Низкое напряжение); - 2012/19/EU
Степень защиты от попадания твердых частиц и влаги, обеспечиваемая защитной оболочкой, за исключением низковольтного оборудования, не имеющего защиты от влаги: IPX4	
Дату производства данной техники можно получить из серийного номера, расположенного под штрих-кодом (S/N XXXXXXXXX), следующим образом	- 1-ая цифра в S/N соответствует последней цифре года, - 2-ая и 3-я цифры в S/N - порядковому номеру месяца года, - 4-ая и 5-ая цифры в S/N - день
Класс энергопотребления	A

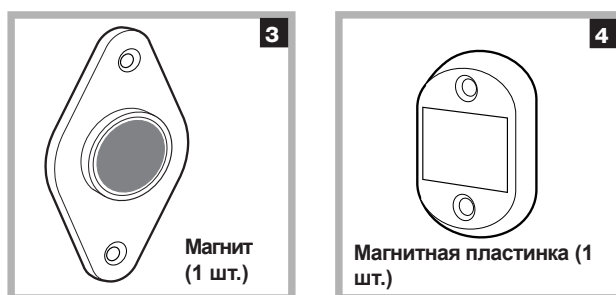
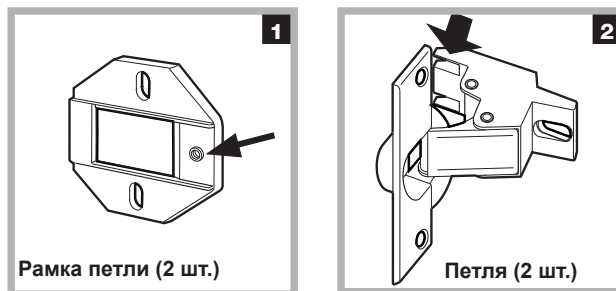
Инструкции по монтажу

Установка деревянной панели на дверцу и встраивание машины в модуль кухонной мебели

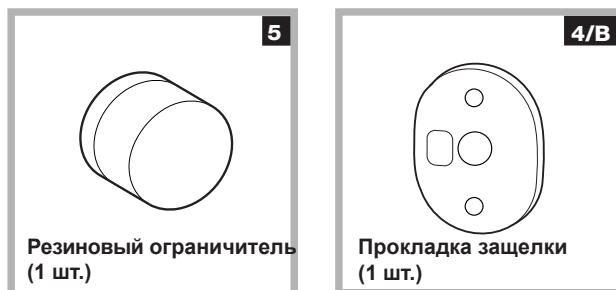
В случае, когда стиральная машина должна быть перевезена для окончательной установки после того, как деревянная панель уже была навешена, мы предлагаем оставить машину в ее оригинальной упаковке. Конструкция упаковки позволяет навесить деревянную панель на машину, не извлекая последнюю полностью из упаковки (см. рис. 7). Деревянная панель, которая закрывает лицевую сторону машины, должна быть толщиной не менее **18 мм** и может навешиваться или справа, или слева. В целях практического использования машины мы рекомендуем навешивать панель слева, чтобы она открывалась в ту же самую сторону, что и дверца машины.



Аксессуары для монтажа дверной панели



Магнитная защелка



- самонарезные винты тип А дл. 13 мм – 6 шт.,
- метрические винты с потайной головкой тип В дл. 25 мм (для крепления магнитной пластинки к корпусу мебели) – 2 шт.,
- метрические винты тип С дл. 15 мм (для прикрепления рамок петель к корпусу мебели) – 4 шт.,
- метрические винты тип D дл. 7 мм (для закрепления петель на рамках) – 4 шт.

Крепление элементов с лицевой стороны машины

- Винтами типа **С** закрепите рамки петель таким образом, чтобы отверстие, обозначенное стрелкой на рис. 8-1, было направлено к внутренней части лицевой стороны машины.
- Установите с противоположной стороны сверху ответную часть магнитной защелки, используя два винта типа **В**.
- Поместите прокладку, изображенную на рис. 8-4В, между лицевой стороной оборудования и ответной частью магнитной защелки.

Использование шаблона

- Чтобы разметить положение отверстий на левой стороне панели, выровняйте шаблон с ее верхним левым краем, сверяясь с контрольными линиями шаблона.
- Чтобы разметить положение отверстий на правой стороне панели, выровняйте шаблон с ее верхним правым краем.
- Просверлите отверстия для двух петель, резинового ограничителя и магнитного замка, используя сверло подходящего размера.

Крепление элементов на деревянную панель (дверцу)

- Вставьте петли в отверстия (подвижная часть петли должна быть установлена лицевой стороной по направлению от панели) и закрепите их 4 винтами типа **A**.
- Вставьте магнитную защелку (рис. 8-3) в верхнее отверстие на стороне, противоположной петлям, и зафиксируйте ее 2 винтами типа **B**.
- Вставьте резиновый ограничитель в нижнее отверстие.

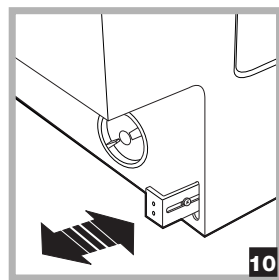
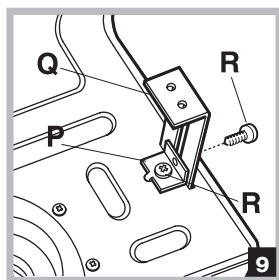
Теперь панель (дверца) готова к установке на машину.

Установка деревянной панели (дверцы) на машину

Вставьте кончик петли (отмеченный стрелкой на рис. 8-2) в отверстие для петли и продвиньте на панель по направлению к лицевой стороне машины. Закрепите 2 петли винтами типа **D**.

Крепление направляющих плинтуса (нижней декоративной панели)

Если машина устанавливается в конце мебельного модуля, для плинтуса (нижней декоративной панели) производится монтаж одной или обеих направляющих, как показано на рис. 9. Отрегулируйте их на глубину плинтуса и при необходимости прикрепите плинтус к направляющим (рис. 10)



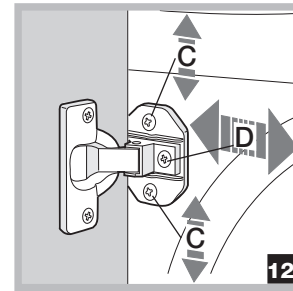
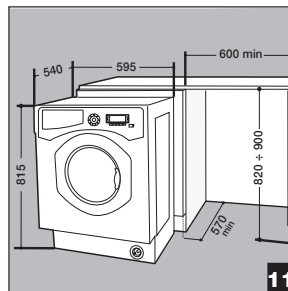
Установка направляющей (рис. 9):

- закрепите уголок **P** винтом **R**, вставьте направляющую **Q** в специальное отверстие, разместите ее в желаемом положении и закрепите с помощью уголка **P** и винта **R**.

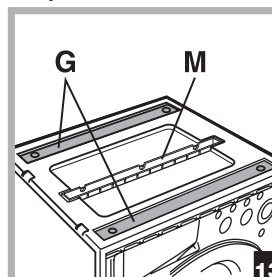
Встраивание машины в корпус кухонной мебели

- Вставьте машину в нишу, выровняв ее с мебелью (рис. 11).
- Отрегулируйте ножки машины, чтобы поднять ее на подходящую высоту.
- Отрегулируйте положение деревянной панели в горизонтальном и вертикальном направлениях, используя винты **C** и **D**, как показано на рис. 12.

Важно: плинтус должен закрывать нижнюю лицевую часть машины до пола.



Приспособления для регулировки высоты стиральной машины



(нижней декоративной панели) (**Q**).

Под крышкой из полистирола (рис. 13) находятся: 2 поперечные накладки (**G**); 1 планка (**M**).
Внутри барабана машины:
4 дополнительные ножки (**H**);
4 винта (**I**);
4 винта (**R**);
4 гайки (**L**);
2 направляющих для плинтуса

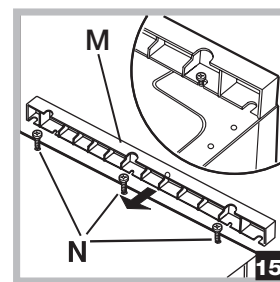
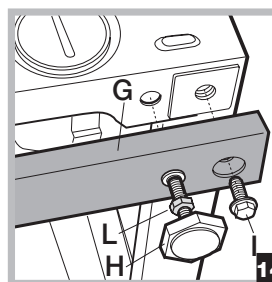
Регулировка высоты стиральной машины

Вращением 4-х ножек высота стиральной машины может быть отрегулирована от **815** до **835** мм.

Если требуется установить машину на бо́льшую высоту (до **870** мм), следует использовать 2 накладки (**G**); 4 дополнительные ножки (**H**); 4 винта (**I**); 4 гайки (**L**) (см. рис. 14).

Выполните следующее:

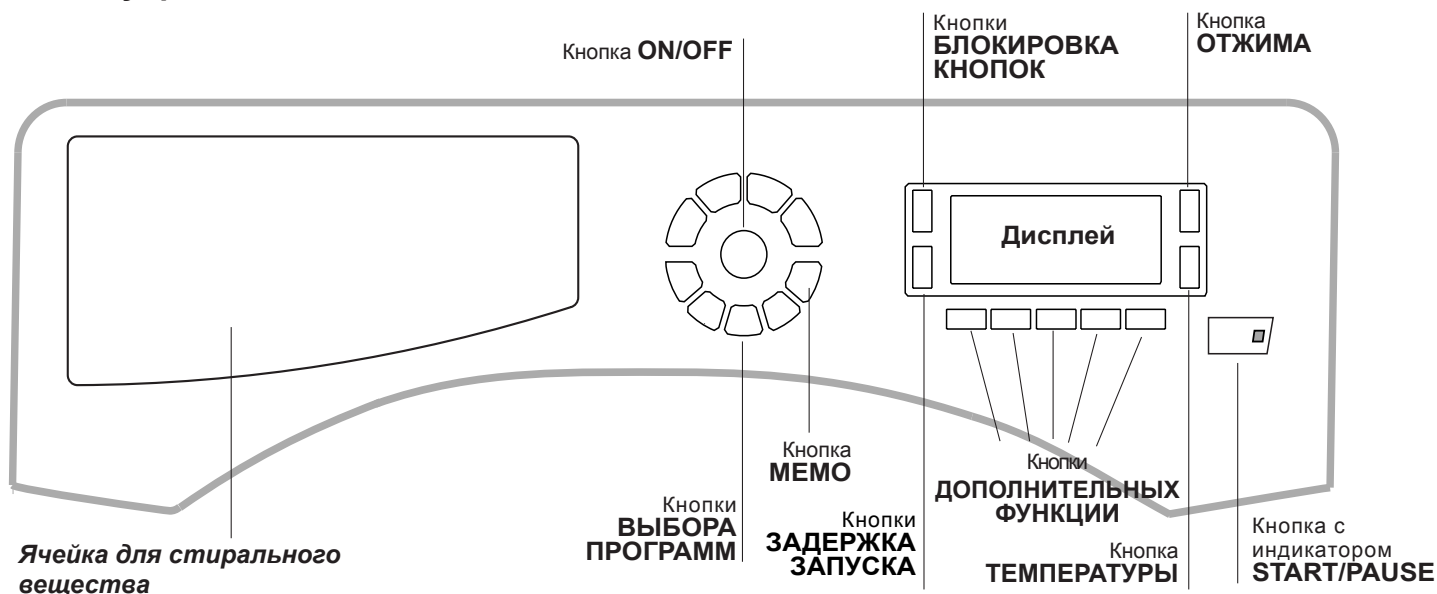
выверните 4 имеющиеся ножки, поместите поперечную накладку **G** в передней части оборудования и закрепите ее винтами **I** (вкрутив их в отверстия, где ранее были закреплены ножки). Затем вкрутите дополнительные ножки **H**. Повторите указанные шаги для задней стороны оборудования. Теперь отрегулируйте высоту машины от **835** до **870** мм с помощью дополнительных ножек **H**. Установив желаемую высоту, зафиксируйте гайки **L** на поперечной накладке **G**. Для установки машины на высоту **870–900** мм, следует установить планку **M**, отрегулировав ножки **H** на требуемую высоту. Чтобы вставить планку **M**, ослабьте 3 винта **N**, расположенные в передней части верхней крышки машины, поместите планку **M**, как показано на рис. 15, и заверните винты **N**.




Описание стиральной машины

CIS

Панель управления




Ячейки для стирального вещества: для загрузки стиральных веществ и добавок (см. «Стиральные вещества и типы белья»).


Кнопка **ON/OFF** : быстро нажмите эту кнопку для включения или выключения машины. Индикатор START/PAUSE, редко мигающий зеленым цветом, означает, что машина включена. Для выключения стиральной машины в процессе стирки необходимо держать нажатой кнопку, примерно 2 секунды. Короткое или случайное нажатие не приведет к отключению машины. В случае выключения машины в процессе стирки текущий цикл отменяется.



Кнопки **ВЫБОРА ПРОГРАММ**: служат для выбора нужной программы (см. «Таблица программ»).


Кнопка **MEMO**: держите нажатой эту кнопку для сохранения цикла и персонализированных вами программ. Для вызова ранее сохраненного цикла нажмите кнопку MEMO.

Кнопки **ДОПОЛНИТЕЛЬНЫХ ФУНКЦИЙ**: нажмите кнопку для выбора нужной вам функции. На дисплее загорится соответствующий индикатор.

Кнопка **ОТЖИМ** : нажмите эту кнопку для сокращения скорости или полного исключения отжима – значение показывается на дисплее.

Кнопка **ТЕМПЕРАТУРА** : нажмите эту кнопку для уменьшения значения температуры: значение показывается на дисплее.

Кнопка **БЛОКИРОВКА КНОПОК** : для включения блокировки консоли управления держите кнопку нажатой примерно 2 секунды. Включенный  символ означает, что консоль управления заблокирована. Таким образом, программа не может быть случайно изменена, особенно если в доме дети. Для отключения блокировки консоли управления держите кнопку нажатой примерно 2 секунды.

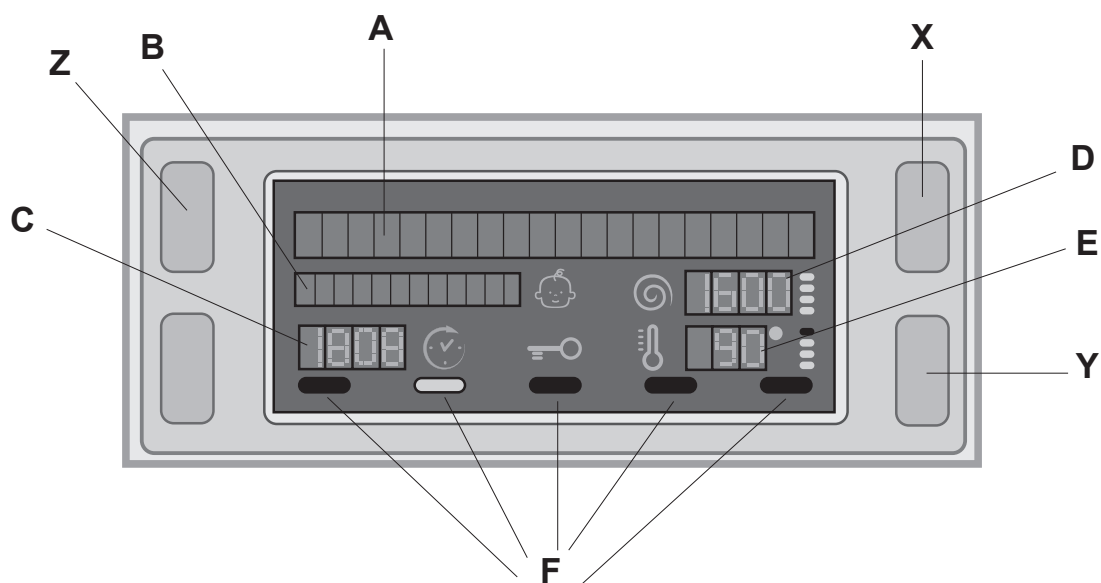
Кнопка **ПУСК С ЗАДЕРЖКОЙ** : нажмите для программирования времени задержки пуска выбранной программы. Время задержки показывается на дисплее.

Кнопка с индикатором **START/PAUSE**: когда зеленый индикатор редко мигает, нажмите кнопку для запуска цикла стирки. После пуска цикла индикатор перестает мигать. Для прерывания стирки вновь нажмите эту кнопку; индикатор замигает оранжевым цветом. Если символ  не горит, можно открыть люк машины. Для возобновления стирки с момента, когда она была прервана, вновь нажмите эту кнопку.

Режим ожидания

Настоящая стиральная машина отвечает требованиям новых нормативов по экономии электроэнергии, укомплектована системой автоматического отключения (режим сохранения энергии), включающейся через 30 минут простоя машины. Нажмите один раз кнопку ON/OFF. и подождите, пока машина вновь включится.

Дисплей



Дисплей служит для программирования машины и предоставляет пользователю множество сведений.

На двух верхних строках **A** и **B** показываются выбранная программа стирки, текущая фаза стирки и все сведения о выполнении программы.

На строке **C** показывается время, остающееся до конца текущего цикла стирки и, если был задан ЗАДЕРЖКА ЗАПУСКА, время, остающееся до запуска выбранной программы.

На строке **D** показывается максимальное значение скорости отжима, который машина может выполнить в зависимости от выбранной программы; если выбранная программа не предусматривает отжим, данная строка не включается.

На строке **E** показывается максимальное значение температуры, которое можно выбрать в зависимости от выбранной программы; если выбранная программа не предусматривает настройку температуры, данная строка не включается.

Индикаторы **F** относятся к функциям и загораются, когда выбранная функция является совместимой с заданной программой.

Символ **заблокированного люка**

Включенный символ означает, что люк заблокирован во избежание его случайного открывания. Во избежание повреждений, перед тем как открыть люк, необходимо дождаться, пока погаснет символ.

ПРИМЕЧАНИЕ: если включена функция ЗАПУСК С ЗАДЕРЖКОЙ, люк открыть нельзя. Для этого необходимо переключить машину в режим паузы при помощи кнопки START/PAUSE.


! При первом включении машины потребуется выбрать язык, и дисплей автоматически покажет страницу меню выбора языка.

Для выбора нужного языка нажмите кнопки **X** и **Y**, для подтверждения выбора нажмите кнопку **Z**.


Если требуется сменить язык, выключите машину, нажмите одновременно кнопки **X**, **Y**, **Z** подождите до звукового сигнала, откроется меню выбора языка.


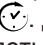
Порядок выполнения цикла стирки

CIS

- 1. ПОРЯДОК ВКЛЮЧЕНИЯ МАШИНЫ.** Нажмите кнопку , на дисплее появится надпись ДОБРО ПОЖАЛОВАТЬ. Индикатор START/PAUSE редко мигает зеленым цветом.
- 2. ПОРЯДОК ЗАГРУЗКИ БЕЛЬЯ.** Откройте люк машины. Загрузите в барабан белье, не превышая максимальный допустимый вес, указанный в таблице программ на следующей странице.
- 3. ДОЗИРОВКА МОЮЩЕГО СРЕДСТВА.** Выньте распределитель и засыпьте моющее средство в специальные ячейки, как описано в разделе «*Стиральные вещества и типы белья*».
- 4. ЗАКРОЙТЕ ЛЮК.**
- 5. ВЫБОР ПРОГРАММЫ.** Нажмите одну из кнопок ВЫБОР ПРОГРАММЫ для выбора нужной программы. Название программы появится на дисплее. Вместе с программой будет показана температура и скорость отжима, которые могут быть изменены. На дисплее показывается продолжительность данного цикла.
- 6. ПЕРСОНАЛИЗАЦИЯ ЦИКЛА СТИРКИ.** Нажмите соответствующие кнопки:

 **Порядок изменения температуры и/или скорости отжима.** Машина автоматически устанавливает максимальные температуру и скорость отжима, допустимые для выбранной программы, следовательно, эти значения не могут быть увеличены. При помощи кнопки  можно постепенно уменьшить температуру вплоть до стирки в холодной воде "OFF". При помощи кнопки  можно постепенно уменьшить скорость отжима вплоть до его исключения "OFF". При еще одном нажатии этих кнопок вернутся максимальные допустимые значения.

! Исключение: при выборе программы  (60°C) (1 нажатие кнопки) температура может быть увеличена до 90°.

 **Программирование задержка запуска.** Для программирования задержки пуска выбранной программы нажмите соответствующую кнопку вплоть до получения нужного значения задержки. Когда включена функция задержки, на дисплее загорается символ . Для отмены задержки пуска нажмите кнопку вплоть до появления на дисплее надписи OFF.

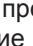
Изменение параметров цикла.


- Нажмите кнопку для включения функции; загорится индикатор соответствующей кнопки.
- Вновь нажмите кнопку для отключения функции; индикатор погаснет.

! Если выбранная функция является несовместимой с заданной программой, индикатор будет мигать, и такая функция не будет включена.

! Если выбранная функция является несовместимой с другой, ранее заданной дополнительной функцией, будет мигать индикатор первой выбранной функции, и будет включена только вторая дополнительная функция, индикатор включенной функции загорится.

! Дополнительные функции могут изменить рекомендуемую загрузку машины и/или продолжительность цикла.

- 7. ПУСК ПРОГРАММЫ.** Нажмите кнопку START/PAUSE: Соответствующий индикатор загорится зеленым светом, и люк заблокируется (символ ЛЮК ЗАБЛОКИРОВАН  загорится). В процессе стирки на дисплее показывается название текущей фазы. Для изменения программы в процессе выполнения цикла переключите машину в режим паузы при помощи кнопки START/PAUSE (индикатор START/PAUSE редко мигает оранжевым цветом). Затем выберите новый цикл и вновь нажмите кнопку START/PAUSE. Если требуется открыть люк после пуска цикла, нажмите кнопку START/PAUSE. Когда погаснет индикатор, ЛЮК ЗАБЛОКИРОВАН , можно открыть люк. Вновь нажмите кнопку START/PAUSE для возобновления программы с момента, в который она была прервана.
- 8. ЗАВЕРШЕНИЕ ПРОГРАММЫ.** Показывается сообщением на дисплее «КОНЕЦ ЦИКЛА». После того, как погаснет символ ЛЮК ЗАБЛОКИРОВАН , можно будет открыть люк. Откройте люк, выгрузите белье и выключите машину.

! Для отмены уже запущенного цикла нажмите на несколько секунд кнопку . Цикл прервется и машина выключится.

Программы и функции

Таблица программ

Программы	Описание программы	Макс. темп. (°C)	Макс. скорость (об./мин.)	Стиральные средства					Макс. загрузка (кг)	Продолжительность цикла
				Предварительная стирка	Стирка	Ополаскиватель	Отбеливатель			
	УДАЛЕНИЕ ПЯТЕН	40°	1400	●	●	●	●	4	Продолжительность программ стирки можно проверить по дисплею.	
	ХЛОПОК СТАНДАРТ. 60° (1) (1 нажатие кнопки): сильнозагрязненное белое и прочное цветное белье.	60° (Max. 90°)	1400	●(2)	●	●	●	7		
	ХЛОПОК СТАНДАРТ. 40° (2) (2 нажатие кнопки): сильнозагрязненное белое и деликатное цветное белье.	40°	1400	-	●	●	●	7		
	ХЛОПОК СТАНДАРТ. 20° (3) (3 нажатие кнопки): сильнозагрязненное белое и деликатное цветное белье.	20°	1400	-	●	●	●	7		
	СИНТЕТИКА ИНТЕНСИВ (1 нажатие кнопки): Сильнозагрязненное прочное цветное белье.	60°	800	●	●	●	●	3		
	СИНТЕТИКА ДЕЛИКАТНАЯ (2 нажатие кнопки): Слабозагрязненное прочное цветное белье.	40°	800	●	●	●	●	3		
	БЫСТРАЯ СТИРКА 60° (1 нажатие кнопки): Для быстрого освежения малозагрязнённого белья (не для шерсти, шелка и изделия ручной стирки).	60°	1400	-	●	●	-	3,5		
	БЫСТРАЯ СТИРКА 30° (2 нажатие кнопки): Для быстрого освежения малозагрязнённого белья (не для шерсти, шелка и изделия ручной стирки).	30°	800	-	●	●	-	3		
М	ПАМЯТЬ: Позволяет ввести в память машины любую программу стирки.									
	АНТИ-АЛЛЕРГИЯ	60°	1400	-	●	●	-	7		
	ШЕРСТЬ УХОД ПЛАТИНУМ: Для шерсти, кашемира и т.д.	40°	800	-	●	●	-	1,5		
	ДЕЛИКАТНАЯ СТИРКА	30°	0	-	●	●	-	1		
	СИЛЬНЫЙ ОТЖИМ (1 нажатие кнопки)	-	1400	-	-	-	-	7		
	ПОЛОСКАНИЕ ХЛОПКА (2 нажатие кнопки)	-	1400	-	-	●	●	7		
	СЛИВ (3 нажатие кнопки)	-	0	-	-	-	-	7		

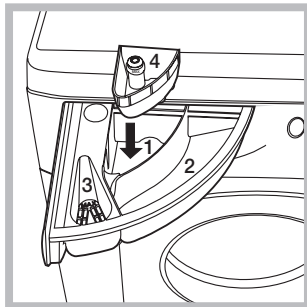
Продолжительность цикла, показанная на дисплее или указанная в инструкциях является расчетом, сделанным на основании стандартных условий. Фактическая продолжительность может варьировать в зависимости от многочисленных факторов таких как температура и давление воды на подаче, температура помещения, количество моющего средства, количество и тип загрязненного белья, балансировка белья, выбранные дополнительные функции.

1) Программы управления соответствует нормативу EN 60456: задайте программу (1 нажатие кнопки) для х/б белья с температурой 60°C.
2) При температуре 60°C нельзя включить функцию "Предварительная стирка".

Функции стирки

Суперстирка

Благодаря использованию большего объема воды в начале цикла и большей продолжительности эта функция обеспечивает оптимальную стирку. Эта функция служит для удаления наиболее трудных пятен. Может использоваться как с отбеливателем, так и без него. Если требуется произвести также отбеливание, вставьте дополнительный прилагающийся дозатор 4 в



ячейку 1. При заливке отбеливателя не превышайте "макс." уровень, указанный на стержне в центре (см. схему).

Для выполнения только отбеливания без полного цикла стирки залейте отбеливатель в дополнительный дозатор 4, выберите программу «Полоскание» и включите дополнительную функцию «Суперстирка».

! Функция не может быть включена с программами (60°), (40°), (20°).

Дополнительное Полоскание

При выборе этой функции повышается эффективность полоскания, обеспечивая максимальное удаление стирального вещества. Эта функция особенно удобна для людей с кожей, чувствительной к стиральным веществам.

! Функция не может быть включена с программами "БЫСТРАЯ СТИРКА 30°", "СИЛЬНЫЙ ОТЖИМ", "СЛИВ".

Легкая глажка

При выборе этой функции циклы стирки и отжима изменяются таким образом, чтобы сократить сминаемость белья. По завершении цикла машина производит медленное вращение барабана. Индикатор функции ЛЕГКАЯ ГЛАЖКА загорается, и индикатор START/PAUSE редко мигает оранжевым цветом. Для завершения цикла нажмите кнопку START/PAUSE или кнопку ЛЕГКАЯ ГЛАЖКА. Для слива воды и выгрузки белья необходимо нажать кнопку START/PAUSE или кнопку ЛЕГКАЯ ГЛАЖКА.

! Функция не может быть включена с программами "БЫСТРАЯ СТИРКА 30°",

Предварительная стирка

При выборе данной функции производится предварительная стирка, способствующая удалению наиболее трудновыводимых пятен.

ПРИМЕЧАНИЕ: Поместите стиральный порошок в специальную ячейку.

! Функция не может быть включена с программами (60°), (40°), (20°).

Eco wash

Функция Eco Wash позволяет экономить энергию за счет отсутствия необходимости подогрева воды для стирки белья – неосценимого преимущества как для окружающей среды, так и для счета за электроэнергию. Действительно, усиленное действие и оптимальное потребление воды гарантируют отличный результат за ту же продолжительность стандартного цикла. Для более эффективной стирки рекомендуется использовать жидкое моющее средство.

! Функция не может быть включена с программами

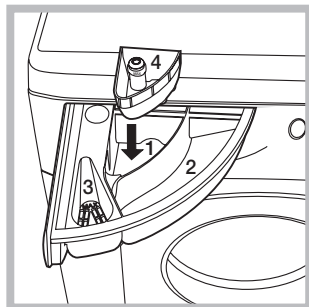
Стиральные вещества и типы белья

CIS

Распределитель моющих средств

Хороший результат стирки зависит также от правильной дозировки стирального вещества: избыток стирального вещества не гарантирует более эффективную стирку, напротив, способствует образованию налетов внутри стиральной машины и загрязнению окружающей среды.

! Не используйте моющие средства для ручной стирки, так как они образуют слишком много пены.



Выньте распределитель и поместите в него моющее средство или добавку в следующем порядке.

отделение 1: моющее средство для предварительной стирки (порошок)

Перед засыпкой стирального порошка необходимо проверить, чтобы не был установлен дополнительный отделение 4.

отделение 2: Моющее средство для стирки (порошок или жидкое)

Моющее средство для стирки заливается непосредственно перед запуском машины.

отделение 3: Добавки (ополаскиватель и т.д.)

Не наливайте ополаскиватель выше решетки отделения.

дополнительное отделение 4: Отбеливатель


Подготовка белья

- Разделите белье по следующим признакам:
 - тип ткани / обозначения на этикетке.
 - цвет: отделите цветное белье от белого.
- Выньте из карманов все предметы и проверьте пуговицы.
- Не превышайте значения, указанные в «Таблице программ», указывающие вес сухого белья.


Сколько весит белье?

- 1 простыня 400-500 гр.
- 1 наволочка 150-200 гр.
- 1 скатерть 400-500 гр.
- 1 халат 900-1200 гр.
- 1 полотенце 150-250 гр.


Специальные программы

УДАЛЕНИЕ ПЯТЕН: программа  для стирки очень грязного белья. Программа обеспечивает уровень стирки выше стандартного (уровень А). Не пользуйтесь этой программой, при стирке белья разных цветов. Рекомендуется использовать стиральный порошок. Для трудновыводимых пятен рекомендуется обработать их специальными добавками.

ХЛОПОК СТАНДАРТ. 20°: Х/б белья стандартная программа идеально подходит для стирки х/б белья со средним загрязнением. Отличные результаты получаются также при стирке в холодной воде, сравнимые со стиркой при 40°, обеспечиваются механическим действием с разной скоростью с повторяющимися частыми пиками.





АНТИ-АЛЛЕРГИЯ: используйте программу  для удаления основных аллергенов таких как пыльца, чесоточных клещей, собачьей или кошачьей шерсти.
ШЕРСТЬ: Цикл стирки «Шерсть» данной стиральной машины Hotpoint-Ariston прошел тестирование и был утвержден Компанией Woolmark Company для стирки шерстяных изделий, классифицированных как «для ручной стирки» с тем, чтобы тирка выполнялась в соответствии с инструкциями на этикетке вещи и инструкциями, прилагаемым изготовителем бытового электроприбора. Hotpoint-Ariston – это первая марка стиральных машин, получившая от Woolmark Company сертификацию Woolmark Apparel Care - Platinum за качество стирки и за экономный расход воды и электроэнергии. (M1126)



ДЕЛИКАТНАЯ СТИРКА: используйте программу  для стирки очень деликатного белья со стразами или блесками.

Рекомендуется вывернуть наизнанку белье перед стиркой и поместить мелкое белье в специальный мешочек для стирки деликатного белья.

Для оптимизации результатов рекомендуется использовать жидкое стиральное вещество для деликатного белья.

Для стирки **шелковых** изделий или **занавесок** используйте цикл  и включите дополнительную функцию  (В этом случае можно активировать также функцию «Дополнительное Полоскание»); машина завершает цикл без слива воды, и индикатор  мигает. Для слива воды и выгрузки белья необходимо нажать кнопку START/PAUSE или кнопку .

Система балансировки белья

Перед каждым отжимом во избежание чрезмерных вибраций и для равномерного распределения белья в барабане машина производит вращения со скоростью, слегка превышающей скорость стирки. Если после нескольких попыток белье не будет правильно сбалансировано, машина произведет отжим на меньшей скорости по сравнению с предусмотренной.

Предосторожности и рекомендации

! Стиральная машина спроектирована и изготовлена в соответствии с международными нормативами по безопасности. Необходимо внимательно прочитать настоящие предупреждения, составленные в целях вашей безопасности.

Общие требования к безопасности

- После использования машины **обязательно** отключайте ее от сети переменного тока и закрывайте водопроводный кран.
- Данное изделие предназначено исключительно для домашнего использования.
- Не разрешайте пользоваться машиной лицам (включая детей) с ограниченными физическими, сенсорными, умственными способностями и не обладающих достаточными знаниями и опытом, если только они не пользуются машиной под наблюдением и после инструктажа со стороны лиц, ответственных за их безопасность. Не разрешайте детям играть с машиной.
- Стиральной машиной должны пользоваться только взрослые лица, соблюдающие инструкции, приведенные в данном техническом руководстве.
- Не прикасайтесь к изделию влажными руками, босиком или во влажной одежде.
- Не тяните за сетевой кабель для отсоединения изделия из электро розетки, возьмитесь за вилку рукой.
- Не открывайте распределитель порошка в процессе стирки.
- Избегайте контактов со сливаемой водой, так как она может быть очень горячей.
- Категорически запрещается открывать люк силой: это может привести к повреждению защитного механизма, предохраняющего от случайного открытия машины.
- В случае неисправности категорически запрещается открывать внутренние механизмы изделия с целью их самостоятельного ремонта.
- Избегайте контактов детей с работающей стиральной машиной.
- В процессе стирки люк стиральной машины может нагреться.
- При необходимости переместить стиральную машину следует выполнять эту операцию вдвоем или втроем с предельной осторожностью. Никогда не перемещайте машину в одиночку, так как машина очень тяжелая.
- Перед загрузкой в стиральную машину белья проверьте, чтобы барабан был пуст.

Утилизация

- Уничтожение упаковочных материалов: соблюдайте местные нормативы с целью повторного использования упаковочных материалов.
- Согласно Европейской Директиве 2012/19/ЕУ касательно утилизации электронных и электрических электроприборов электроприборы не должны выбрасываться вместе с обычным городским мусором. Выведенные из строя приборы должны собираться отдельно для оптимизации

их утилизации и рекуперации составляющих их материалов, а также для безопасности окружающей среды и здоровья. Символ зачеркнутая мусорная корзина, имеющийся на всех приборах, служит напоминанием об их отдельной утилизации. За более подробной информацией о правильной утилизации бытовых электроприборов пользователи могут обратиться в специальную государственную организацию или в магазин.

Аварийное открытие люка

Если по причине отключения электроэнергии невозможно открыть люк машины, чтобы выгрузить чистое белье, действуйте следующим образом:

1. выньте штепсельную вилку машины из электро розетки.
2. проверьте, чтобы уровень воды в машине был ниже отверстия люка. В противном случае слейте излишек воды через сливную трубу в ведро, как показано на *схеме*.
3. потяните наружу язычок, показанный на схеме, вплоть до освобождения пластикового блокировочного винта. Затем потяните его вниз и одновременно откройте люка.



Техническое обслуживание и уход

CIS

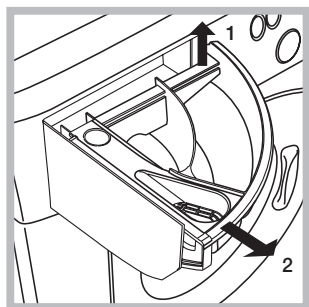
Отключение воды и электрического тока

- Перекрывайте водопроводный кран после каждой стирки. Таким образом сокращается износ водопроводной системы машины и сокращается риск утечек.
- Выньте штепсельную вилку из электро розетки в процессе чистки и технического обслуживания стиральной машины.

Уход за стиральной машиной

Для чистки наружных и резиновых частей стиральной машины используйте тряпку, смоченную теплой водой с мылом. Не используйте растворители или абразивные чистящие средства.

Уход за распределителем моющих средств



Выньте распределитель, приподняв ее и потянув наружу (см. схему). Промойте распределитель теплой водой. Эта операция должна выполняться регулярно.

Уход за люком и барабаном

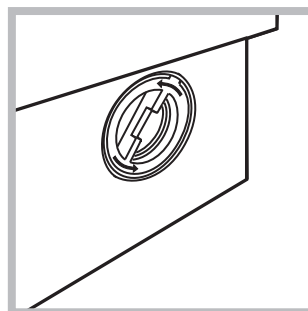
- После использования стиральной машины всегда следует оставлять люк полуоткрытым во избежание образования неприятных запахов в барабане.

Уход за насосом

Стиральная машина оснащена самоочищающимся насосом, не нуждающимся в техническом обслуживании. Тем не менее мелкие предметы (монеты, пуговицы) могут упасть за кожух, предохраняющий насос, расположенный в его нижней части.

! Проверьте, чтобы цикл стирки завершился, и выньте штепсельную вилку из сетевой розетки.

Для доступа к кожуху:



1. отвинтите крышку, повернув ее против часовой стрелки (см. схему): небольшая утечка воды является нормальным явлением;

2. тщательно прочистите внутри кожуха;
3. завинтите крышку на место;

Проверка водопроводного шланга

Проверяйте шланг подачи воды не реже одного раза в год. При обнаружении трещин или разрывов шланга замените его: в процессе стирки сильное воды в водопроводе давление может привести к внезапному отсоединению шланга.

! Никогда не пользуйтесь б/у шлангами.

Неисправности и методы их устранения

Если ваша стиральная машина не работает. Прежде чем обратиться в Центр Сервисного обслуживания (см. *Сервисное обслуживание*), проверьте, можно ли устранить неисправность, следуя рекомендациям, приведенным в следующем перечне.

Неисправности:

Возможные причины / Методы устранения:

Стиральная машина не включается.

- Штепсельная вилка не соединена с электро розеткой или отходит и не обеспечивает контакта.
- В доме отключено электричество.

Цикл стирки не запускается.

- Люк машины закрыт неплотно.
- Не была нажата кнопка ON/OFF.
- Не была нажата кнопка START/PAUSE.
- Перекрыт водопроводный кран.
- Была запрограммирована задержка запуска цикла.

Стиральная машина не заливает воду (На дисплее показывается сообщение «Вода слита, открыть кран»).

- Водопроводный шланг не подсоединен к крану.
- Шланг согнут.
- Перекрыт водопроводный кран.
- В доме нет воды.
- Недостаточное водопроводное давление.
- Не была нажата кнопка START/PAUSE.

Машина непрерывно заливает и сливает воду.

- Сливной шланг не находится на высоте 65 – 100 см. от пола (см. «Установка»).
- Конец сливного шланга погружен в воду (см. «Установка»).
- Настенное сливное отверстие не оснащено вантузом для выпуска воздуха.

Если после вышеперечисленных проверок неисправность не будет устранена, следует перекрыть водопроводный кран, выключить стиральную машину и обратиться в Центр Сервисного Обслуживания. Если ваша квартира находится на последних этажах здания, могут наблюдаться явления сифона, поэтому стиральная машина производит непрерывный залив и слив воды. Для устранения этой аномалии в продаже имеются специальные клапаны против явления сифона.

Стиральная машина не сливает воду и не отжимает белье.

- Выбранная программа не предусматривает слив воды: для некоторых программ необходимо включить слив вручную.
- Включена функция ЛЕГКАЯ ГЛАЖКА: для завершения программы нажмите кнопку START/PAUSE (см. «Программы и функции»).
- Сливной шланг согнут (см. «Установка»).
- Засорен сливной трубопровод.

Стиральная машина сильно вибрирует в процессе отжима.

- В момент установки стиральной машины барабан был разблокирован неправильно (см. «Установка»).
- Стиральная машина установлена неровно (см. «Установка»).
- Машина зажата между стены и мебелью (см. «Установка»).

Утечки воды из стиральной машины.

- Плохо прикручен водопроводный шланг (см. «Установка»).
- Засорен распределитель моющего средства (порядок его чистки см. в параграфе «Техническое обслуживание и уход»).
- Сливной шланг плохо закреплен (см. «Установка»).

Машина заблокирована, дисплей мигает и показывает код неисправности (наприм., F-01, F-..).

- Выключите машину и выньте штепсельную вилку из сетевой розетки, подождите 1 минуту и вновь включите машину. Если неисправность не устраняется, обратитесь в Сервисную Службу.

В процессе стирки образуется слишком обильная пена.

- Моющее средство непригодно для стирки в стиральной машине (на упаковке должно быть указано «для стирки в стиральной машине», «для ручной и машинной стирки» или подобное).
- В распределитель было помещено чрезмерное количество моющего средства.

Сервисное обслуживание

CIS

Мы заботимся о своих покупателях и стараемся сделать сервисное обслуживание наиболее качественным. Мы постоянно совершенствуем наши продукты, чтобы сделать Ваше общение с техникой простым и приятным.

Уход за техникой

Продлите срок эксплуатации и снизьте вероятность поломки техники.

Воспользуйтесь профессиональными средствами для ухода за техникой от Indesit Professional для наиболее простого, эффективного и легкого ухода за Вашей бытовой техникой.

Продукты Indesit Professional производятся в Италии с соблюдением высоких европейских стандартов в области качества, экологии и безопасности использования и созданы с учетом многолетнего опыта производителя техники. Узнайте подробнее на сайте www.hotpoint-ariston.com в разделе «Сервис» и спрашивайте в магазинах Вашего города.

Авторизованные сервисные центры

Чтобы быть ближе к нашим потребителям, мы создали широкую сервисную сеть, особенностью которой является высокая подготовка, профессионализм и честность сервисных мастеров. На сегодняшний день она насчитывает около 350 сервисных центров на территории России и СНГ.

Их контакты Вы можете найти в сервисном сертификате и на сайте www.hotpoint-ariston.com в разделе «Сервис».

Если вам надо обратиться в сервисный центр:

Внимание! При ремонте требуйте использования оригинальных запасных частей.

Перед тем как обратиться в Службу Сервиса:

- Проверьте, нельзя ли устранить неисправность самостоятельно (см. «Неисправности и методы их устранения»);
- Вновь запустите программу для проверки исправности машины;
- В противном случае обратиться в Авторизованный Сервисный Центр по телефонам, указанным в гарантийном таллоне.

! Никогда не обращайтесь к неавторизованным сервисным центрам.

При обращении в Сервисную Службу необходимо сообщить:

- тип неисправности;
- номер гарантийного документа (сервисной книжки, сервисного сертификата и т.п.);
- модель машины (Мод.) и серийный номер (S/N), указанные в информационной табличке, расположенной на задней панели стиральной машины.

Другую полезную информацию и новости Вы можете найти на сайте www.hotpoint-ariston.com в разделе «Сервис».

Производитель: Indesit Company
Виале А. Мерлони 47, 60044, Фабриано (АН), Италия

Импортер: ООО «Индезит РУС»

С вопросами (в России) обращаться по адресу: до 01.01.2011: Россия, 129223, Москва, Проспект Мира, ВВЦ, пав. 46
с 01.01.2011: Россия, 127018, Москва, ул. Двинцев, дом 12, корп. 1

DE

Deutsch

BWMD 742

INHALTSVERZEICHNIS

Installation, 58-59-60-61

Auspacken und Aufstellen
Wasser- und Elektroanschlüsse
Erster Waschgang
Technische Daten
Anleitungen für den Installateur

Beschreibung Ihres Waschvollautomaten, 62-63

Bedienblende
Display

Durchführung eines Waschprogramms, 64

Programme und Funktionen, 65

Programmtabelle
Waschfunktionen

Waschmittel und Wäsche, 66

Waschmittelschublade
Vorsortieren der Wäsche
Sonderprogramme
Unwuchtkontrollsystem

Vorsichtsmaßnahmen und Hinweise, 67

Allgemeine Sicherheit
Entsorgung
Manuelles Öffnen der Gerätetür

Reinigung und Pflege, 68

Abstellen der Wasser- und Stromversorgung
Reinigung des Gerätes
Reinigung der Waschmittelschublade
Pflege der Gerätetür und Trommel
Reinigung der Pumpe
Kontrolle des Wasserzulaufschlauchs

Störungen und Abhilfe, 69

Kundendienst, 70

DE

Installation

DE

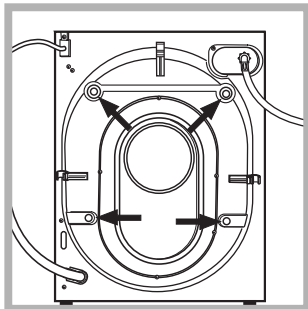
! Es ist äußerst wichtig, diese Bedienungsanleitung sorgfältig aufzubewahren, um sie jederzeit zu Rate ziehen zu können. Sorgen Sie dafür, dass sie im Falle eines Umzugs oder einer Übergabe an einen anderen Benutzer das Gerät stets begleitet, damit auch der neue Inhaber die Möglichkeit hat, diese zu Rate zu ziehen.

! Lesen Sie die Hinweise bitte aufmerksam durch, sie liefern wichtige Informationen hinsichtlich der Installation, des Gebrauchs und der Sicherheit.

Auspacken und Aufstellen

Auspacken

1. Gerät auspacken.
2. Sicherstellen, dass der Waschvollautomat keine Transportschäden erlitten hat. Im Falle einer Beschädigung Gerät bitte nicht anschließen, sondern den Kundendienst anfordern.



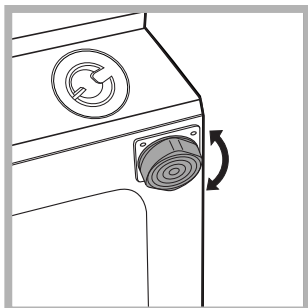
3. Die 4 Transportschutzschrauben herausschrauben und die an der Geräterückwand befindlichen Distanzstücke aus Gummi entfernen (siehe Abbildung).

4. Die Öffnungen mittels der mitgelieferten Abdeckungen verschliessen.
5. Sämtliche Teile aufbewahren: Sollte der Waschautomat erneut transportiert werden, müssen diese Teile wieder eingesetzt werden.

! Verpackungsmaterial ist kein Spielzeug für Kinder.

Nivellierung

1. Der Waschvollautomat muss auf einem ebenen, festen, schwingungsfreien Untergrund aufgestellt werden ohne diesen an Wände, Möbel etc. direkt anzulehnen.



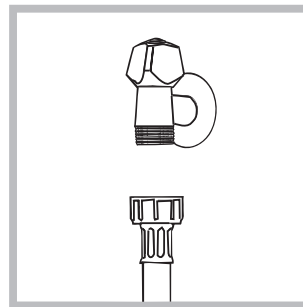
2. Sollte der Boden nicht perfekt eben sein, müssen die Unebenheiten durch An- bzw. Ausdrehen der vorderen Stellfüße ausgeglichen werden (siehe Abbildung), der auf der Arbeitsfläche zu ermittelnde Neigungsgrad darf 2° nicht überschreiten. Eine präzise Nivellierung verleiht dem Gerät die er-

forderliche Stabilität, durch die Vibrationen, Betriebsgeräusche und ein Verrücken des Gerätes vermieden werden. Bei Teppichböden müssen die Stellfüße so reguliert werden, dass ein ausreichender Freiraum zur Belüftung unter

dem Waschvollautomaten gewährleistet ist.

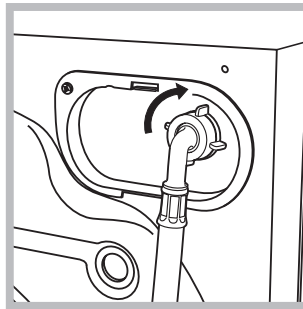
Wasser- und Elektroanschlüsse

Anschluss des Zulaufschlauches



1. Schrauben Sie den Wasserschlauch an einen Kaltwasserhahn mit 3/4-Zoll-Gewindeanschluss an (siehe Abbildung).

Lassen Sie das Wasser vor dem Anschluss so lange auslaufen, bis klares Wasser austritt.



2. Das andere Ende des Schlauches an den oben rechts am Rückteil des Waschvollautomaten befindlichen Wasseranschluss anschließen (siehe Abbildung).

3. Der Schlauch darf hierbei nicht eingeklemmt oder abgknickt werden.

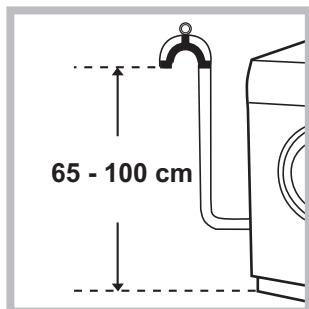
! Der Wasserdruck muss innerhalb der Werte liegen, die in der Tabelle der technischen Daten angegeben sind (siehe nebenstehende Seite).

! Sollte der Zulaufschlauch nicht lang genug sein, dann wenden Sie sich bitte an einen Fachhändler oder an einen autorisierten Fachmann.

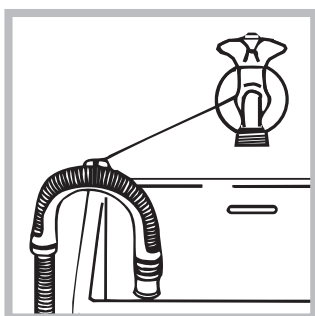
! Verwenden Sie niemals bereits gebrauchte Schläuche.

! Verwenden Sie die Schläuche, die mit dem Gerät geliefert wurden.

Anschluss des Ablaufschlauches



Schließen Sie den Ablaufschlauch ohne ihn dabei abzuknicken an einen geeigneten Abfluss an. Die Mindestablaufhöhe beträgt 65 - 100 cm (gemessen vom Boden), oder hängen Sie diesen mittels des Schlauchhalters gesichert in ein Becken oder Wanne ein;



Befestigen Sie diesen mittels des mitgelieferten Schlauchhalters z.B. an einen Wasserhahn (siehe Abbildung). Das freie Ablaufschlauchende darf nicht unter Wasser positioniert werden.

! Verlängerungsschläuche sollten nicht eingesetzt werden. Sollte dies unvermeidlich sein, muss die Verlängerung denselben Durchmesser des Originalschlauchs aufweisen und darf eine Länge von 150 cm nicht überschreiten.

Stromanschluss

Vor Einfügen des Netzsteckers in die Steckdose ist sicherzustellen, dass:

- die Steckdose über eine normgerechte Erdung verfügt;
- die Steckdose die in den Technischen Daten angegebenen Höchstlast des Gerätes trägt (siehe *nebenstehende Tabelle*);
- die Stromspannung den in den Technischen Daten angegebenen Werten entspricht (siehe *nebenstehende Tabelle*);
- die Steckdose mit dem Netzstecker des Waschvollautomaten kompatibel ist. Andernfalls muss der Netzstecker (oder die Steckdose) ersetzt werden.

! Der Waschvollautomat darf nicht im Freien installiert werden, auch nicht, wenn es sich um einen geschützten Platz handelt. Es ist gefährlich, das Gerät Gewittern und Unwettern auszusetzen.

! Die Steckdose sollte nach installiertem Gerät leicht zugänglich sein.

! Verwenden Sie bitte keine Verlängerungen oder Mehrfachstecker.

! Das Netzkabel darf nicht gebogen bzw. eingeklemmt werden.

! Das Versorgungskabel darf nur durch autorisierte Fachkräfte ausgetauscht werden.

Achtung! Der Hersteller übernimmt keinerlei Haftung, sollten diese Vorschriften nicht genau beachtet werden.

Erster Waschgang

Lassen Sie nach der Installation bzw. vor erstmaligem Gebrauch erst einen Waschgang (mit Waschmittel) ohne Wäsche durchlaufen. Stellen Sie hierzu das Waschprogramm (60°C) ein.

Technische Daten

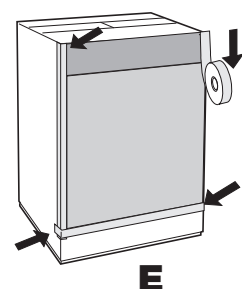
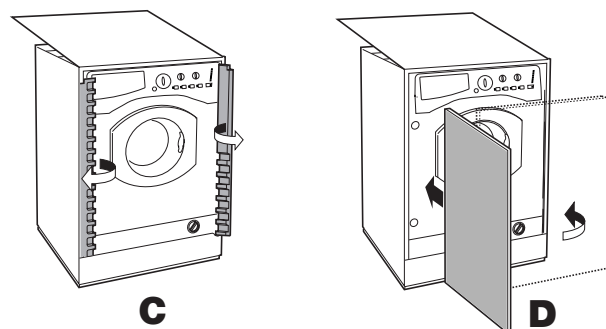
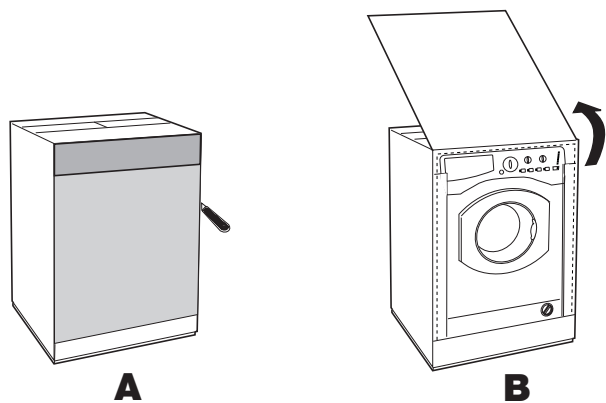
Modell	BWMD 742
Abmessungen	Breite 59,5 cm Höhe 81,5 cm Tiefe 54,5 cm
Fassungsvermögen	1 bis 7 kg
Elektroanschlüsse	Siehe das am Gerät befindliche Typenschild.
Wasseranschlüsse	Höchstdruck 1 MPa (10 bar) Minstdruck 0,05 MPa (0,5 bar) Trommelvolumen 52 Liter
Schleudertouren	bis zu 1400 U/min.
Prüfprogramme gemäß der Richtlinien 1061/2010 und 1015/2010	Programm (60°) (1° Drücken der Taste): Baumwolle standard 60°C. Programm (40°) (2° Drücken der Taste): Baumwolle standard 40°C.
 	Dieses Gerät entspricht den folgenden EG-Richtlinien: - 2004/108/CE (elektromagnetische Verträglichkeit) - 2006/95/CE (Niederspannung) - 2012/19/EU

Anleitungen für den Installateur

Montage des Holzpaneels auf die Tür und Einfügen der Maschine in die Möbel:

Falls nach der Montage des Holzpaneels eine Versendung zur End-Installation der Maschine notwendig ist, empfehlen wir, die Maschine in ihrer ursprünglichen Verpackung zu belassen. Die Verpackung ist deshalb so beschaffen, daß eine Anbringung des Holzpaneels auf die Maschine möglich ist, ohne dabei die Verpackung ganz entfernen zu müssen (siehe untere Abbildung).

Die Stärke des die Frontseite bedeckenden Holzpaneels darf **18 mm** nicht überschreiten und das Paneel kann sowohl auf der rechten als auch auf der linken Seite montiert werden. Aus praktischen Gründen empfehlen wir eine Montage in derselben Öffnungsrichtung wie die des Einfüllfensters, d.h. mit auf der linken Seite montierten Scharnieren.



Montagezubehör für die Tür (Abb. 1-2-3-4-5).

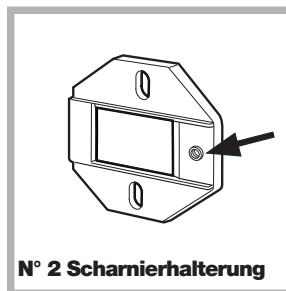


Abb. 1

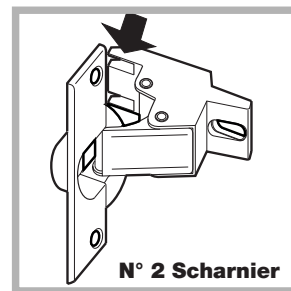


Abb. 2

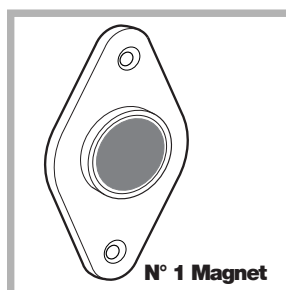


Abb. 3

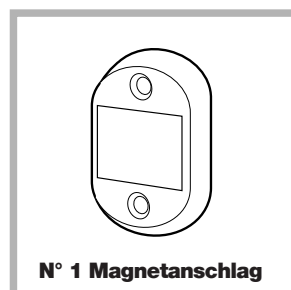


Abb. 4

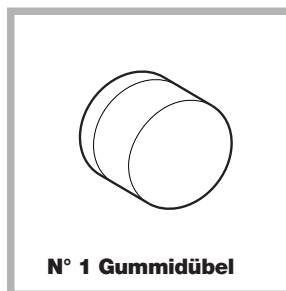


Abb. 5

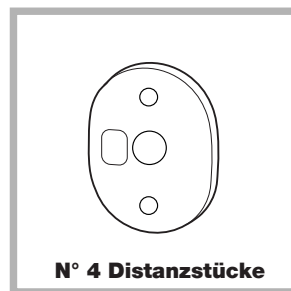


Abb. 4/B

- 6 selbstschneidende Schrauben l = 13 mm "Typ **A**".
- 2 metrische Senkkopfschrauben l = 25 mm "Typ **B**"; zur Befestigung des Magnetanschlags am Gehäuse.
- 4 metrische Schrauben l = 15 mm "Typ **C**"; zur Anbringung der Scharnierhalterungen am Gehäuse.
- 4 metrische Schrauben l = 7 mm "Typ **D**"; zur Anbringung der Scharniere an den Halterungen.

Montage der Einzelteile auf die Maschine-vorderseite.

- Montieren Sie die Scharnierhalterungen an der Front, dabei wird die Bohrung (siehe Pfeil auf Abb. 1) nach innen zur Front positioniert und ein Distanzstück eingelegt (Abb. 4/B), verwenden Sie Schrauben vom Typ **C**.
- Montieren Sie das Magnetgegenstück auf der gegenüber liegenden Seite oben und legen Sie zwei Distanzstücke ein (Abb. 4/B) verwenden Sie die beiden Schrauben vom Typ **B**.

Gebrauch der Bohrschablone.

a) Zur Positionsmarkierung der Bohrungen auf der linken Seite des Paneels, legen Sie die Bohrmaske oben links am Paneel an und halten Sie sich an die an den Enden markierten Linien. **b)** Zur Positionsmarkierung der Bohrungen auf der rechten Seite des Paneels, legen Sie die Bohrmaske oben rechts am Paneel an. **c)** Mit einem Fräser von entsprechender Größe die vier Sitze fräsen, die die zwei Scharniere, den Gummidübel und den Magnet aufnehmen sollen.

Montage der Einzelteile auf das Holzpaneel (Tür).

- Setzen Sie die Scharniere in die vorgesehenen Sitze ein (das bewegliche Scharnierteil muß auf die Außenseite des Scharniers weisen) und befestigen Sie sie mit den 4 Schrauben des Typs **A**.
- Setzen Sie den Magnet in den Sitz ein, und zwar oben von der den Scharnieren entgegengesetzten Seite und befestigen Sie ihn mit zwei Schrauben des Typs **B**.
- Setzen Sie den Gummidübel in den Sitz unten ein.

Das Paneel kann nun auf die Maschine montiert werden.

Montage des Paneels auf die Maschine.

Setzen Sie die von dem Pfeil in *abb. 2* angegebene Scharnier Nase in den Sitz der Scharnierhalterung ein, drücken Sie das Paneel gegen die Frontseite der Maschine und befestigen Sie die beiden Scharniere mit den Schrauben des Typs **D**.

Befestigung der Sockelführung

Wenn die Maschine am Ende einer Küchenzeile installiert werden soll, montieren Sie eine oder beide Sockelführungen wie in *abb. 8* angegeben, passen Sie deren Tiefe der Sockelposition an und wenn nötig, befestigen Sie den Sockel an denselben (*abb. 9*). Zur Montage der Sockelführung verfahren Sie wie folgt (*Abb. 8*): Befestigen Sie das Winkelstück **P** mittels der Schraube **R**, setzen Sie die Sockelführung **Q** in den entsprechenden Schlitz ein, bringen Sie diese in die gewünschte Lage und befestigen Sie sie daraufhin mittels der Schraube **R** an dem Winkelstück **P**.

Einfügen der Maschine in das Möbel.

- Schieben Sie die Maschine in die Öffnung und passen Sie sie der Möbelfront an (*abb. 6*).
- Regulieren Sie die verstellbaren Füße auf die gewünschte Höhe der Maschine.
- Drehen Sie die Schrauben **C** und **D** wie in *abb. 7* angegeben, um die Position des Holzpaneels in vertikaler und horizontaler Richtung einzustellen.

Wichtig: Schließen Sie den unteren Teil der Frontseite durch den Sockel, und zwar so, dass letzterer mit dem Boden abschließt.

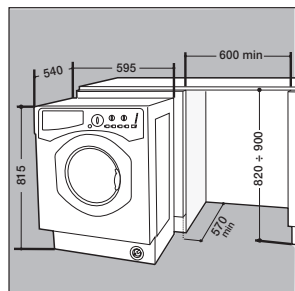


Abb. 6

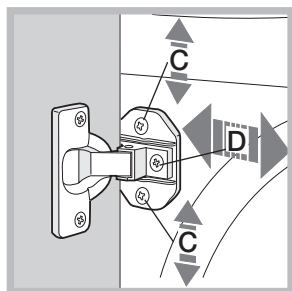


Abb. 7

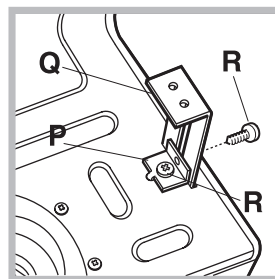


Abb. 8

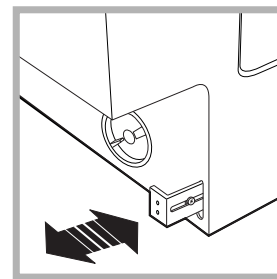


Abb. 9

Beiliegendes Zubehör zur Höhenregulierung.

Im Polystyroldeckel (*Abb. 10*) befinden sich folgende Teile: 2 Querstreben (**G**); 1 Leiste (**M**)

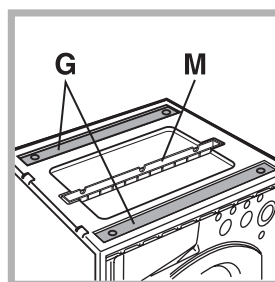


Abb. 10

In der Wäschetrommel befinden sich: 4 zusätzliche Stellfüße (**H**), 4 Schrauben (**I**), 4 Schrauben (**R**), 4 Schraubenmutter (**L**), 2 Sockelführungen (**Q**)

Höhenregulierung des Waschvollautomaten.

Mit Hilfe der 4 Stellfüße kann die Höhe des Gerätes reguliert werden (von **815** mm bis **835** mm). Sollte diese Höhe jedoch nicht ausreichen, kann das Gerät durch Einsatz nachfolgenden Zubehörs bis auf eine Höhe von **870** mm gebracht werden: 2 Querstreben (**G**); 4 Stellfüße (**H**); 4 Schrauben (**I**); 4 Schraubenmutter (**L**), Verfahren Sie hierzu wie folgt (*Abb. 11*):

Nehmen Sie die 4 ursprünglich montierten Stellfüße ab, legen Sie eine Querstrebe **G** am Vorderteil des Gerätes an und befestigen Sie dieses mittels der Schrauben **I** (schrauben Sie diese in die Löcher ein, in denen sich die ursprünglich montierten Stellfüße befanden), setzen Sie daraufhin die neuen Stellfüße **H** ein. Verfahren Sie auf gleiche Weise am hinteren Teil des Gerätes. Durch Einstellen der Füße **H** kann das Gerät nun auf eine Höhe von **835** mm bis **870** mm gebracht werden.

Nach Erreichen der gewünschten Höhe befestigen Sie die Schraubenmutter **L** an der Querstrebe **G**.

Zur Einstellung des Gerätes auf eine Höhe von **870** mm bis **900** mm ist die Leiste **M** anzubringen, regulieren Sie daraufhin die Stellfüße **H** bis auf die gewünschte Höhe.

Die Leiste wird wie folgt eingesetzt:

Lösen Sie die drei an der vorderen Deckelblende befindlichen Schrauben **N**, setzen Sie die Leiste **M** so wie auf *Abb. 12* veranschaulicht ein und ziehen Sie die Schrauben **N** wieder an.

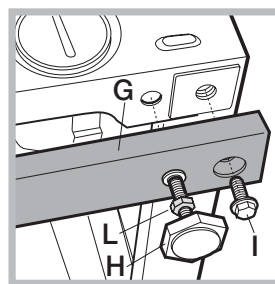


Abb. 11

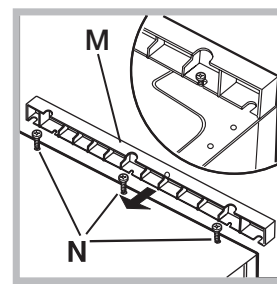
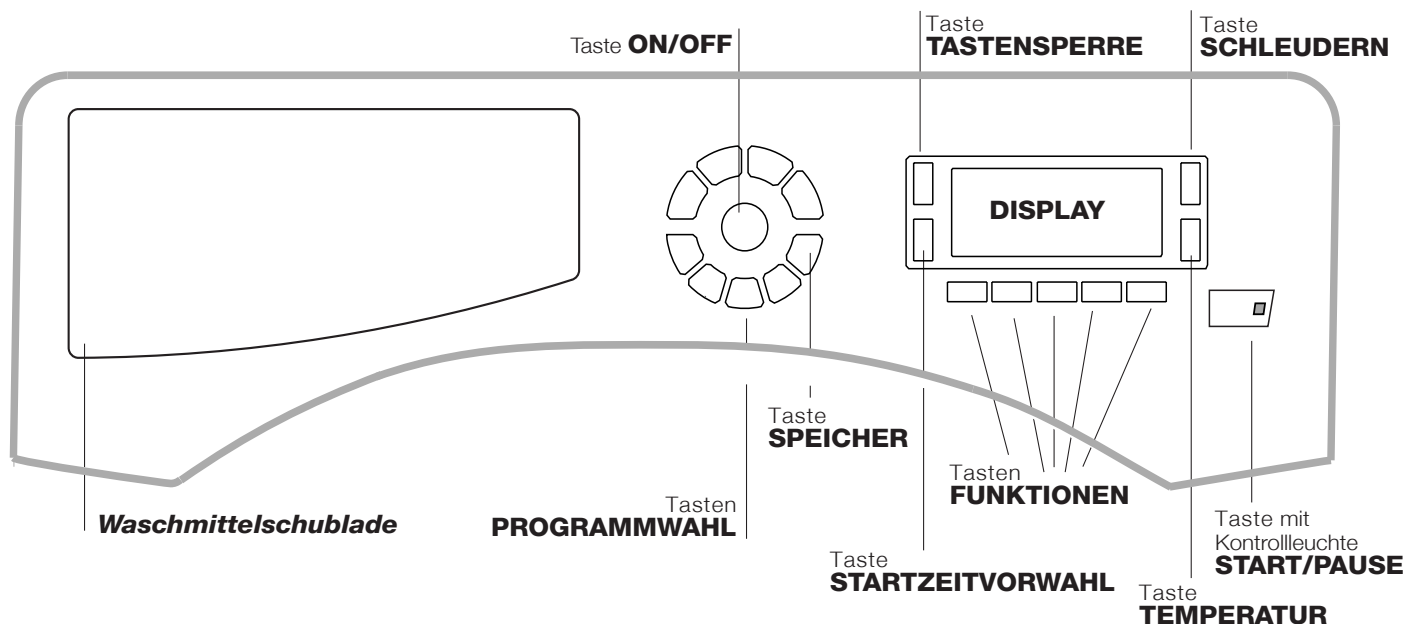


Abb. 12


Beschreibung Ihres Waschvollautomaten

DE

Bedienblende




Waschmittelschublade: für Waschmittel und Zusätze (siehe „Waschmittel und Wäsche“).

Taste ON/OFF : Drücken Sie kurz auf die Taste, um das Gerät ein- bzw. auszuschalten. Die Kontrollleuchte START/PAUSE, die langsam grün blinkt, zeigt an, dass das Gerät eingeschaltet ist. Um den Waschvollautomaten während eines Waschgangs auszuschalten, muss die Taste etwas länger gedrückt werden (ca. 2 Sekunden); ein kurzer oder ein ungewollter Druck bewirkt kein Ausschalten des Gerätes. Das Ausschalten des Gerätes während eines laufenden Waschprogramms löscht den gesamten Waschzyklus.

Tasten PROGRAMMWAHL: zur Einstellung des gewünschten Programms (siehe „Programmtabelle“).

Taste SPEICHER: Halten Sie die Taste gedrückt, um einen Waschzyklus und die gewünschten Individualisierungseinstellungen zu speichern. Um einen bereits gespeicherten Zyklus abzurufen, drücken Sie die Taste SPEICHER.


Tasten FUNKTIONEN: Drücken Sie die Taste, um die gewünschte Funktion auszuwählen. Auf dem Display schaltet sich die entsprechende Kontrollleuchte ein.

Taste SCHLEUDERN : Drücken Sie die Taste, um die Schleudergeschwindigkeit herabzusetzen oder das Schleudern ganz auszuschließen. Der Wert wird auf dem Display angezeigt.

Taste TEMPERATUR : Drücken Sie die Taste, um die Temperatur herabzusetzen: Der Wert wird auf dem Display angezeigt.

Taste TASTENSPERRE : Zur **Aktivierung** der Sperre der Bedienblende halten Sie die Taste ca. 2 Sekunden lang gedrückt. Das eingeschaltete Symbol  zeigt an, dass die Bedienblende gesperrt ist (Mit Ausnahme der Taste ON/OFF). Auf diese Weise wird verhindert, dass ein Programm aus Versehen geändert wird, vor allem, wenn kleine Kinder im Hause sind. Zur **Deaktivierung** der Sperre der Bedienblende halten Sie die Taste ca. 2 Sekunden lang gedrückt.

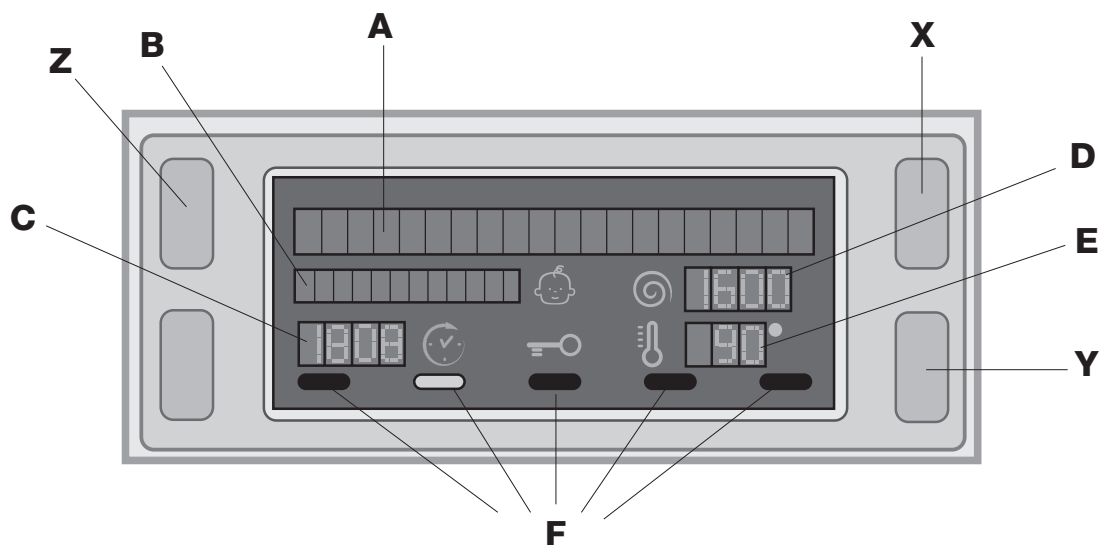
Taste STARTZEITVORWAHL : Zur Vorwahl der Startzeit des gewählten Programms drücken Sie bitte diese Taste. Die Zeitverzögerung wird auf dem Display angezeigt.

Taste mit Kontrollleuchte START/PAUSE: Sobald die grüne Kontrollleuchte auf langsames Blinklicht schaltet, drücken Sie die Taste, um den Waschgang zu starten. Nach Ingangsetzung des Programms schaltet die Kontrollleuchte auf Dauerlicht. Um den Waschgang zu unterbrechen, drücken Sie erneut die Taste; die Kontrollleuchte schaltet auf orangefarbenes Blinklicht. Wenn das Symbol  nicht leuchtet, kann die Gerätetür geöffnet werden (etwa 3 Minuten). Um das Programm an der Stelle, an der es unterbrochen wurde, wieder in Gang zu setzen, drücken Sie die Taste erneut.

Funktion Standby

Zur Erfüllung der neuen Richtlinien zum Energieverbrauch ist diese Waschmaschine mit einem automatischen Ausschaltensystem (Standby) ausgestattet, das nach 30 Minuten des Nichtgebrauchs in Funktion tritt. Drücken Sie kurz die Taste ON/OFF und warten Sie, bis sich die Maschine wieder einschaltet.

Display



Das Display dient nicht nur zur Programmierung des Gerätes, sondern liefert auch zahlreiche Informationen.

In den beiden oberen Zeilenreihen **A** und **B** werden das ausgewählte Waschprogramm, die laufende Waschphase und alle Angaben zum Programmfortschritt angezeigt.

In der Zeilenreihe **C** werden die Restzeit bis zum Ende des laufenden Waschvorgangs und bei Einstellung einer STARTZEITVORWAHL die bis zum Start des ausgewählten Programms verbleibende Zeit angezeigt.

In der Zeilenreihe **D** wird der Höchstwert der Schleudergeschwindigkeit angezeigt, die das Gerät für das eingestellte Programm zulässt; wenn das Programm keinen Schleudervorgang vorsieht, bleibt die Zeilenreihe ausgeschaltet.

In der Zeilenreihe **E** wird der Höchstwert der Temperatur angezeigt, der für das eingestellte Programm ausgewählt werden kann; wenn das Programm keine Temperatureinstellung vorsieht, bleibt die Zeilenreihe ausgeschaltet.

Die Kontrollleuchten **F** sind den Funktionen zugeordnet und leuchten, wenn die ausgewählte Funktion mit dem eingestellten Programm kompatibel ist.

Symbol **Gerätetür gesperrt**

Durch Leuchten des Symbols meldet das Gerät, dass die Gerätetür gesperrt ist, um ein versehentliches Öffnen zu vermeiden. Zur Vermeidung einer evtl. Beschädigung warten Sie bis das Symbol erlischt, bevor Sie die Gerätetür öffnen.

NB: Wenn die Funktion STARTZEITVORWAHL aktiviert ist, kann die Gerätetür nicht geöffnet werden. Zum Öffnen schalten Sie das Gerät mittels der Taste START/PAUSE auf Pause.


! Vor dem ersten Einschalten werden Sie zur Auswahl der Sprache aufgefordert, und das Display blendet automatisch das Menü zur Sprachauswahl ein.

Wählen Sie die gewünschte Sprache mittels der Tasten **X** und **Y** aus und drücken Sie dann zum Bestätigen der Auswahl auf die Taste **Z**.


Um die Sprache zu ändern, schalten Sie das Gerät aus und drücken gleichzeitig die in der Abbildung mit **X**, **Y** und **Z** gekennzeichneten Tasten. Nach dem ertönen eines akustischen Signals wird das Menü der Sprachauswahl angezeigt.


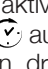
Durchführung eines Waschprogramms

DE

- 1. EINSCHALTEN DES GERÄTES.** Drücken Sie auf die Taste , woraufhin auf dem Display die Meldung WILLKOMMEN erscheint; die Kontrollleuchte START/PAUSE blinkt langsam grün.
- 2. EINFÜLLEN DER WÄSCHE.** Öffnen Sie die Gerätetür. Füllen Sie die Wäsche ein. Achten Sie hierbei bitte darauf, die in der Programmtabelle (auf der nächsten Seite) angegebene Wäschemenge nicht zu überschreiten.
- 3. DOSIERUNG DES WASCHMITTELS.** Ziehen Sie die Waschmittelschublade heraus und füllen Sie das Waschmittel in die entsprechenden Kammern (siehe "Waschmittel und Wäsche").
- 4. SCHLIESSEN SIE DIE GERÄTETÜR.**
- 5. WAHL DES WASCHPROGRAMMS.** Wählen Sie das gewünschte Programm mittels einer der PROGRAMMWAHL-Tasten aus; die Bezeichnung des Programms wird auf dem Display angezeigt; dem Programm sind eine Temperatur und eine Schleudergeschwindigkeit zugeordnet, die jedoch geändert werden können. Auf dem Display wird die Programmdauer angezeigt.
- 6. INDIVIDUALISIERUNG DES WASCHGANGS.** Verwenden Sie hierzu die entsprechenden Tasten:

 **Änderung der Temperatur und/oder Schleudern.** Das Gerät wählt automatisch die für das eingestellte Programm vorgesehene maximale Temperatur sowie die maximale Schleudergeschwindigkeit. Diese können demnach nicht erhöht werden. Durch Drücken der Taste  kann die Temperatur bis auf Kaltwäsche "OFF" herabgesetzt werden. Durch Drücken der Taste  kann die Schleudergeschwindigkeit herabgesetzt oder der Schleudervorgang auf "OFF" ausgeschlossen werden. Ein weiterer Druck auf die Tasten bewirkt die Einstellung der möglichen Maximalwerte.

! Ausnahme: Wird das Waschprogramm  (60 °C) (erster Tastendruck) eingestellt, kann die Temperatur bis auf 90° erhöht werden.

 **Startzeitvorwahl.** Zur Vorwahl der Startzeit des eingestellten Programms drücken Sie die entsprechende Taste bis die gewünschte Zeitverschiebung angezeigt wird. Sobald diese Zusatzfunktion aktiviert wird, leuchtet auf dem Display das Symbol  auf. Um die Startzeitvorwahl wieder zu deaktivieren, drücken Sie die Taste bis auf dem Display der Schriftzug "OFF" eingeblendet wird.

Änderung der Eigenschaften des Waschgangs.

- Drücken Sie die Taste zum Aktivieren der Funktion; die der Taste entsprechende Kontrollleuchte schaltet sich dabei ein.
- Durch erneutes Drücken der Taste kann die Funktion


wieder ausgeschaltet werden; die Kontrollleuchte erlischt.

! Ist die gewählte Funktion nicht vereinbar mit dem eingestellten Programm, schaltet die Kontrollleuchte auf Blinklicht und die Funktion wird nicht aktiviert.


! Ist die gewählte Funktion mit einer anderen bereits eingestellten nicht kompatibel, schaltet die der ersten Funktion entsprechende Kontrollleuchte auf Blinklicht und nur die zweite Funktion wird aktiviert, die Kontrollleuchte der aktivierten Funktion schaltet auf Dauerlicht.

! Die Funktionen können eine Änderung der empfohlenen Beladungsmenge und/oder der Waschzeit bewirken.

- 7. STARTEN DES PROGRAMMS.** Drücken Sie die Taste START/PAUSE. Die zugehörige Kontrollleuchte schaltet auf grünes Dauerlicht und die Gerätetür wird gesperrt (Symbol GERÄTETÜR GESPERRT  leuchtet.) Während des Programmablaufs erscheint auf dem Display die Bezeichnung der laufenden Programmphase. Um ein Programm während eines laufenden Waschgangs zu ändern, schalten Sie den Waschvollautomat mittels der Taste START/PAUSE auf Pause (die Kontrollleuchte START/PAUSE blinkt nun langsam orangefarben); wählen Sie daraufhin das gewünschte Programm aus und drücken Sie erneut auf die Taste START/PAUSE.

Um während eines laufenden Programms die Gerätetür zu öffnen, drücken Sie die Taste START/PAUSE; wenn das Symbol GERÄTETÜR GESPERRT  erloschen ist, kann die Gerätetür geöffnet werden (etwa 3 Minuten). Drücken Sie die Taste START/PAUSE erneut, um das Programm an der Stelle an der es unterbrochen wurde, wieder in Gang zu setzen.

- 8. ENDE DES PROGRAMMS.** Das Programmende wird durch die Anzeige "PROGRAMMENDE" auf dem Display angezeigt. Wenn das Symbol GERÄTETÜR GESPERRT  erlischt, kann die Gerätetür geöffnet werden (etwa 3 Minuten). Öffnen Sie die Gerätetür, nehmen Sie die Wäsche heraus und schalten Sie das Gerät aus.

! Möchten Sie ein bereits in Gang gesetztes Waschprogramm löschen, drücken Sie die Taste  etwas länger. Der Waschgang wird unterbrochen und das Gerät schaltet sich aus.

Programme und Funktionen

Programmtabelle

Wasch- programme	Beschreibung des Programms	Max. Temper- atur (°C)	Max. Schleu- derGe- schwindi- gkeit (U/min)	Waschmittel				Max. Beladungsmenge (kg)	Restfeuchtigkeit %	Energieverbrauch kWh	Wasser gesamt lt	Programm- dauer
				Vor-wäsche	Hauptwä- sche	Bleichmittel	Weich- spüler					
	Flecken	40°	1400	●	●	●	●	4	-	-	-	180'
	Baumwolle 60° (1) (erster Tastendruck): stark verschmutzte Weiß- und farbechte Buntwäsche.	60° (Max. 90°)	1400	●(3)	●	●	●	7	53	1,10	52,5	190'
	Baumwolle 40° (2) (zweiter Tastendruck): leicht verschmutzte Weißwäsche und empfindliche Buntwäsche.	40°	1400	-	●	●	●	7	53	0,99	82	185'
	Baumwolle 20° (dritter Tastendruck) : leicht verschmutzte Weißwäsche und empfindliche Buntwäsche.	20°	1400	-	●	●	●	7	-	-	-	170'
	Synthetik Robust (erster Tastendruck) : stark verschmutzte, farbechte Buntwäsche.	60°	800	●	●	●	●	3	44	0,93	47	110'
	Synthetik Robust (4) (erster Tastendruck): leicht verschmutzte, farbechte Buntwäsche.	40°	800	●	●	●	●	3	44	0,57	46	95'
	Synthetik Fein (zweiter Tastendruck) : leicht verschmutzte farbechte Buntwäsche.	40°	800	●	●	●	●	3	-	-	-	70'
	Schnell 60' (erster Tastendruck): zum kurzen Auffrischen verschmutzter Wäsche (nicht geeignet für Wolle, Seide und Handwäsche).	60°	1400	-	●	●	-	3,5	53	0,81	40	60'
	Schnell 30' (zweiter Tastendruck): zum kurzen Auffrischen leicht verschmutzter Wäsche (nicht geeignet für Wolle, Seide und Handwäsche).	30°	800	-	●	●	-	3	71	0,15	35	30'
M MY CYCLE (Speicher) : hiermit kann jede beliebige Art von Waschgang gespeichert werden												
	Antiallergen	60°	1400	-	●	●	-	4	-	-	-	195'
	WOOLMARK PLATIN (Wolle) : wolle, Kaschmir usw.	40°	800	-	●	●	-	1,5	-	-	-	70'
	Feinwäsche	30°	0	-	●	●	-	1	-	-	-	80'
	Schleudern (erster Tastendruck)	-	1400	-	-	-	-	7	-	-	-	16'
	Spülen (zweiter Tastendruck)	-	1400	-	-	●	●	7	-	-	-	36'
	Abpumpen (dritter Tastendruck)	-	0	-	-	-	-	7	-	-	-	2'

Die auf dem Display und in der Bedienungsanleitung genannte Zyklusdauer wird ausgehend von Standardbedingungen berechnet. Die effektiv benötigte Zeit kann aufgrund zahlreicher Faktoren wie Temperatur und Druck des Zulaufwassers, Raumtemperatur, Waschmittelmenge, Art, Menge und Verteilung der Waschladung sowie der gewählten Zusatzfunktionen variieren.

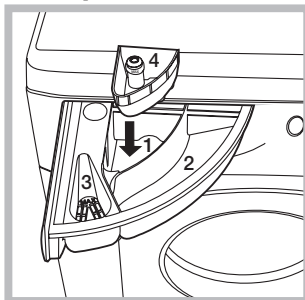
- 1) Prüfprogramm gemäß 1061/2010: Wählen Sie das Programm bei 60 °C (erster Tastendruck). Dieser Zyklus ist für den Waschvorgang von normal schmutziger Baumwollwäsche geeignet; es ist der wirksamste in Bezug auf den kombinierten Energie-Wasser-Verbrauch; für bei 60°C. zu waschende Wäsche zu verwenden. Die effektive Waschttemperatur kann von der angegebenen abweichen.
- 2) Prüfprogramm gemäß 1061/2010: wählen Sie das Programm bei 40 °C (zweiter Tastendruck). Dieser Zyklus ist für den Waschvorgang von normal schmutziger Baumwollwäsche geeignet; es ist der wirksamste in Bezug auf den kombinierten Energie-Wasser-Verbrauch; für bei 40°C. zu waschende Wäsche zu verwenden. Die effektive Waschttemperatur kann von der angegebenen abweichen.
- 3) Die "Vorwäsche" funktion kann beim Temperaturwert 60 °C nicht aktiviert werden.

Für alle Testinstitute:

- 2) Langes Baumwollprogramm: wählen Sie das Programm bei 40 °C (zweiter Tastendruck).
- 4) Langes Kunstfaserprogramm: wählen Sie das Programm bei 60 °C (erster Tastendruck); Temperatur von 40 °C (drücken Sie die Taste TEMPERATUR).

Waschfunktionen

Super Wash



Diese Zusatzfunktion verbessert die Waschergebnisse durch eine erhöhte Wassermenge am Anfang des Programms und eine verlängerte Programmlaufzeit. Diese Funktion ermöglicht das Entfernen selbst der hartnäckigsten Flecken. Kann **mit** oder **ohne** Bleichmittel verwendet werden. Möchten Sie auch Bleichen, dann setzen Sie die mitgelieferte, zusätzliche Kammer 4 in Kammer 1 ein. Bei der Dosierung des Bleichmittels darf der auf dem Zentralstift mit „max“ gekennzeichnete Höchststand (siehe Abbildung) nicht überschritten werden. **Wenn Sie nur bleichen möchten, ohne einen kompletten Waschgang durchzuführen**, dann geben Sie das Bleichmittel in die Zusatzkammer 4, stellen Sie das Programm „Spül-gang“ ein und aktivieren Sie die Funktion „Super Wash“.

! Die Verwendung von Extrafach 4 schließt die "Pre-wash"-Funktion.
! Diese Funktion kann zu den Programmen , , , , , "Schleudern", "Abpumpen".

Extraspülgang

Wählen Sie diese Zusatzfunktion, wird die Spülwirkung erhöht und somit ein optimales Ausspülen des Waschmittels garantiert. Dies ist besonders angezeigt bei sehr empfindlicher Haut bzw. Waschmittelallergien.

! Diese Funktion kann zu den Programmen **"Schnell 30", , , "Schleudern", "Abpumpen" nicht zugeschaltet werden.**

Bügelleicht

Bei Einstellung dieser Funktion wird zur Vermeidung einer Knitterbildung der Wasch- und Schleudergang entsprechend geändert. Am Ende des Waschgangs erfolgen langsame Umdrehungen der Trommel; die Kontrollleuchte der Funktion BÜGELLEICHT und die der Taste START/PAUSE blinken (orange) und auf dem Display wird "PROGRAMMENDE" angezeigt. Um den Waschgang abzuschließen, drücken Sie die Taste START/PAUSE oder die Taste BÜGELLEICHT.

! Diese Funktion kann zu den Programmen , , , , nicht zugeschaltet werden.

Vorwäsche

Beim Wählen dieser Funktion wird eine Vorwäsche aktiviert, so dass auch hartnäckige Flecken beseitigt werden.

NB: Füllen Sie das Waschlaugepulver in die entsprechende Kammer ein.
! Diese Funktion kann zu den Programmen , , , , , nicht zugeschaltet werden.

Eco Wash

Die Funktion Eco Wash trägt dazu bei, Energie zu sparen, indem das Wasser für die Wäsche nicht aufgeheizt wird - ein Vorteil sowohl für die Umwelt als auch für die Stromrechnung. Tatsächlich sichern die verstärkte Waschlaugepulver und der optimierte Wasserverbrauch hervorragende Ergebnisse bei gleicher durchschnittlicher Dauer eines Standardzyklusses zu. Für maximale Waschergebnisse empfehlen wir den Einsatz eines Flüssigwaschmittels.

! Diese Funktion kann zu den Programmen , , , , , nicht zugeschaltet werden.

Waschmittel und Wäsche

DE

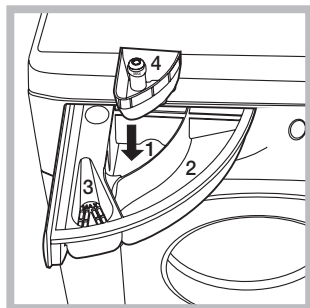
Waschmittel und Wäsche

Ein gutes Waschergebnis hängt auch von einer korrekten Waschmitteldosierung ab: Eine zu hohe Dosierung bedeutet nicht unbedingt reinere Wäsche, sie trägt nur dazu bei, die Maschineninnenteile zu verkrusten und die Umwelt zu belasten.

! Waschmittel in Pulverform für Baumwollweißwäsche, für die Vorwäsche und für Waschprogramme bei Temperaturen über 60°C verwenden.

! Bitte befolgen Sie den auf der Waschmittelverpackung angegebenen Anweisungen.

! Verwenden Sie keine Handwaschmittel, sie verursachen eine zu hohe Schaumbildung.



Schublade herausziehen und Waschmittel oder Zusätze wie folgt einfüllen:

Kammer 1: Waschpulver für die Vorwäsche (Waschpulver)

Vergewissern Sie sich vor Einfüllen des Waschmittels, dass die Zusatzkammer 4 nicht eingesetzt wurde.

In Kammer 2: Waschmittel für die Hauptwäsche (Waschpulver oder Flüssigwaschmittel)

Flüssigwaschmittel nur kurz vor dem Start einfüllen.

In Kammer 3: Zusätze (Weichspüler usw.)

Der Weichspüler darf das Gitter nicht übersteigen.

Zusätzliche Kammer 4: Bleichmittel

Vorsortieren der Wäsche

- Sortieren Sie die Wäsche nach:
 - Gewebeat / Waschetikettensymbol.
 - und Farben: Buntwäsche von Weißwäsche trennen.
- Entleeren Sie alle Taschen.
- Das angegebene Gewicht, das sich auf die maximale Ladung an Trockenwäsche bezieht, sollte nicht überschritten werden: siehe "Programmtabelle".

Wie schwer ist Wäsche?

- 1 Betttuch 400-500 gr
- 1 Kissenbezug 150-200 gr
- 1 Tischdecke 400-500 gr
- 1 Bademantel 900-1.200 gr
- 1 Handtuch 150-250 gr

Besondere Wäscheteile

Flecken: das Programm ist für die Reinigung stark verschmutzter Kleidung mit widerstandsfähigen Farben geeignet. Das Programm gewährleistet einen Waschgang, der besser als der Standard (Klasse A) ist. Mischen Sie bei diesem Programm keine Kleidungsstücke mit unterschiedlicher Farbe. Es empfiehlt sich die Verwendung von Pulverwaschmittel. Bei hartnäckigen Flecken empfiehlt sich die Vorbehandlung mit spezifischen Zusatzstoffen.

Baumwolle 20°C : ideal für normalverschmutzte Baumwolle. Die auch mit kaltem Wasser erreichten Leistungen, vergleichbar mit einer Wäsche bei 40°, werden mechanisch erzielt. Die Trommel arbeitet mit wiederholten, kurz auf einander folgenden Beschleunigungen.

Antiallergen: Verwenden Sie das Programm für die Entfernung der wichtigsten Allergene, wie etwa Pollen, Milben oder Katzen- und Hundehaare.

Wolle: das Waschprogramm „Wolle“ dieser Waschmaschine Hotpoint-Ariston wurde von der Woolmark Company für die Wäsche von mit „Handwäsche“ gekennzeichneten Wollkleidungsstücken getestet und anerkannt, vorausgesetzt die Wäsche erfolgt gemäß der Anweisungen auf Etikett des Kleidungsstück und den Angaben des Herstellers des Haushaltsgeräts. Hotpoint-Ariston ist die erste Waschmaschinenmarke, die von der Woolmark Company die Zertifizierung Woolmark Apparel Care - Platinum für ihre Waschleistungen und den Verbrauch von Wasser und Energie erhalten hat. (M1126)



Ultra Fein: Verwenden Sie das Programm für die Reinigung von Feinwäsche, die Applikationen wie Strass oder Pailletten aufweist. Es wird empfohlen, die Kleidungsstücke vor der Reinigung umzudrehen und kleinere Kleidungsstücke in den entsprechenden Reinigungsbeutel für Feinwäsche zu geben. Um bessere Ergebnisse zu erzielen, wird für die Reinigung von Feinwäsche die Verwendung von Flüssigwaschmittel empfohlen. Wählen Sie für die Reinigung von Kleidungsstücken aus **Seide** oder **Gardinen** (sie sollten zusammengelegt und in den mitgelieferten Beutel gesteckt werden) den Zyklus und aktivieren Sie die Option (in diesem Fall kann auch die Option „Extra Spülen“ aktiviert werden); unterbricht Ihr Gerät das Programm, ohne das Wasser abzupumpen. Ihre Wäsche bleibt so im letzten Spülwasser liegen, und die Kontrollleuchte blinkt. Zum Abpumpen des Wassers zu muss die Taste START/PAUSE oder die Taste gedrückt werden.

Unwuchtkontrollsystem

Um starke Vibrationen oder eine Unwucht beim Schleudern zu vermeiden, verfügt das Gerät über ein Schleudrunwuchtsystem. Die Waschladdung wird durch eine erhöhte Rotation der Trommel als die des Waschgangs ausbalanciert. Sollte die Wäscheladung nach Ablauf mehrerer Versuche immer noch nicht korrekt verteilt sein, schleudert das Gerät die Wäsche bei einer niedrigeren Geschwindigkeit als die der vorgesehenen Schleudergeschwindigkeit. Sollte die Wäsche extrem ungleichmäßig verteilt sein, führt das Gerät anstelle des Schleudergangs einen Wäscheverteilungs-Zyklus durch. Um eine optimale Verteilung der Wäscheladung und somit eine korrekte Auswuchtung zu fördern, sollten große und kleine Wäscheteile gemischt eingefüllt werden.

Vorsichtsmaßnahmen und Hinweise

! Der Waschvollautomat wurde nach den strengsten internationalen Sicherheitsvorschriften entworfen und gebaut. Nachstehende Hinweise werden aus Sicherheitsgründen geliefert und sollten aufmerksam gelesen werden.

Allgemeine Sicherheit

- Dieses Gerät wurde ausschließlich für den Einsatz im privaten Haushalt konzipiert.
- Dieses Gerät ist nicht zur Verwendung durch Personen (einschließlich Kinder) mit eingeschränkten körperlichen, geistigen oder sensorialen Fähigkeiten oder ohne ausreichende Erfahrung und Kenntnis geeignet, es sei denn, sie werden durch eine für ihre Sicherheit verantwortliche Person beaufsichtigt und eingewiesen. Kinder müssen beaufsichtigt werden, um sicherzustellen, dass sie nicht mit dem Gerät spielen.
- Berühren Sie das Gerät nicht, wenn Sie barfuß sind, und auch nicht mit nassen oder feuchten Händen oder Füßen.
- Ziehen Sie den Gerätestecker nicht am Kabel aus der Steckdose, sondern nur am Netzstecker selbst.
- Öffnen Sie die Waschmittelschublade nicht, wenn das Gerät in Betrieb ist.
- Berühren Sie nicht das Ablaufwasser, es könnte sehr heiß sein.
- Öffnen Sie die Gerätetür nicht mit Gewalt: Der Sicherheits-Schließmechanismus könnte hierdurch beschädigt werden.
- Bei etwaigen Störungen versuchen Sie bitte nicht, Innenteile selbst zu reparieren.
- Halten Sie Kinder stets von dem in Betrieb befindlichen Gerät fern.
- Während des Waschganges kann die Gerätetür sehr heiß werden.
- Muss das Gerät versetzt werden, sollten hierfür zwei oder drei Personen verfügbar sein. Versetzen Sie es niemals allein, das Gerät ist äußerst schwer.
- Bevor Sie die Wäsche einfüllen, stellen Sie bitte sicher, dass die Wäschetrommel leer ist.

Entsorgung

- Entsorgung des Verpackungsmaterials: Befolgen Sie die lokalen Vorschriften, Verpackungsmaterial kann wiederverwertet werden.
- Gemäß der Europäischen Richtlinie 2012/19/EU über Elektro- und Elektronik-Altgeräte dürfen Elektrohaushalts-Altgeräte nicht über den herkömmlichen Haushaltsmüllkreislauf entsorgt werden. Altgeräte müssen separat gesammelt werden, um die Wiederverwertung und das Recycling der beinhalteten Materialien zu optimieren und die Einflüsse auf die Umwelt und die Gesundheit zu reduzieren. Das Symbol „durchgestrichene Mülltonne“ auf jedem Produkt erinnert Sie an Ihre Verpflichtung, dass Elektrohaushaltsgeräte gesondert entsorgt werden müssen.

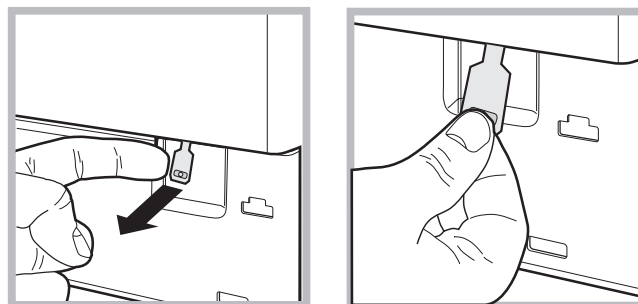
Endverbraucher können sich an Abfallämter der Gemeinden wenden, um mehr Informationen über die korrekte Entsorgung ihrer Elektrohaushaltsgeräte zu erhalten.

DE

Manuelles Öffnen der Gerätetür

Sollte die Gerätetür aufgrund eines Stromausfalls nicht geöffnet werden können, gehen Sie wie folgt vor, um die Wäsche entnehmen und somit aufhängen zu können:

1. Ziehen Sie den Netzstecker aus der Steckdose.
2. Stellen Sie sicher, dass der Wasserstand im Innern des Gerätes die Gerätetür nicht übersteigt, andernfalls lassen Sie das überschüssige Wasser, so wie auf der *Abbildung* veranschaulicht, durch den Ablaufschlauch in einen Eimer ablaufen.
3. Befreien Sie mithilfe der auf der *Abbildung* veranschaulichten Zunge (nach vorne ziehen) die Kunststoff-Spannvorrichtung aus der Arretierung; ziehen Sie letztere dann nach unten und öffnen Sie gleichzeitig die Gerätetür.



Reinigung und Pflege

DE

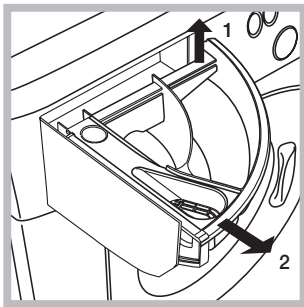
Abstellen der Wasser- und Stromversorgung

- Drehen Sie den Wasserhahn nach jedem Waschvorgang zu. Hierdurch wird der Verschleiß der Wasseranlage verringert und Wasserlecks vorgebeugt.
- Ziehen Sie den Netzstecker aus der Steckdose, bevor Sie Ihren Waschvollautomaten reinigen.

Reinigung des Gerätes

Die Gehäuseteile und die Teile aus Gummi können mit einem mit warmer Spülmittellauge angefeuchteten Tuch gereinigt werden. Vermeiden Sie Löse- und Scheuermittel

Reinigung der Waschmittelschublade



Heben Sie die Schublade leicht an und ziehen Sie sie nach vorne hin heraus (siehe Abbildung). Spülen Sie sie regelmäßig unter fließendem Wasser gründlich aus.

Pflege der Gerätetür und Trommel

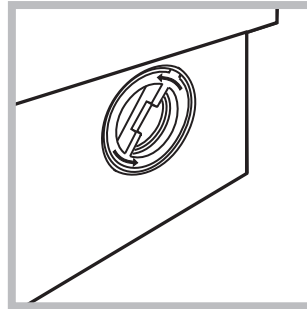
- Lassen Sie die Gerätetür stets leicht offen stehen, um die Bildung unangenehmer Gerüche zu vermeiden.

Reinigung der Pumpe

Ihr Gerät ist mit einer selbstreinigenden Pumpe ausgerüstet, eine Wartung ist demnach nicht erforderlich. Es könnte jedoch vorkommen, dass kleine Gegenstände (Münzen, Knöpfe) in die zum Schutz der Pumpe dienende Vorkammer (befindlich unter der Pumpe) fallen.

! Vergewissern Sie sich, dass der Waschgang abgeschlossen ist und ziehen Sie den Netzstecker heraus.

Zugang zur Vorkammer:



1. Drehen Sie den Deckel gegen den Uhrzeigersinn ab (siehe Abbildung): es ist ganz normal, wenn etwas Wasser austritt;

2. Reinigen Sie das Innere gründlich;
3. Schrauben Sie den Deckel wieder auf.

Kontrolle des Wasserzulaufschlauchs

Kontrollieren Sie den Zulaufschlauch mindestens einmal im Jahr. Weist er Risse bzw. Brüche auf, muss er ausgetauscht werden. Der starke Druck während des Waschprogramms könnte zu plötzlichem Platzen führen.

! Verwenden Sie niemals bereits gebrauchte Schläuche.

Störungen und Abhilfe

Bei Funktionsstörung: Bevor Sie sich an den Technischen Kundendienst wenden (siehe „Kundendienst“), vergewissern Sie sich zuerst, ob es sich nicht um eine Kleinigkeit handelt, die Sie selbst beheben können. Ziehen Sie hierzu nachstehendes Verzeichnis zu Rate.

Störungen:

Der Waschvollautomat schaltet sich nicht ein.

Mögliche Ursachen / Lösungen:

- Der Stecker steckt nicht in der Steckdose, oder nicht so, dass der Kontakt hergestellt wird.
- Der Strom ist ausgefallen.

Der Waschgang startet nicht.

- Die Gerätetür wurde nicht vorschriftsmäßig geschlossen.
- Die ON/OFF-Taste wurde nicht gedrückt.
- Die Taste START/PAUSE wurde nicht gedrückt.
- Der Wasserhahn ist nicht aufgedreht.
- Es wurde ein verzögerter Start gewählt (siehe „Durchführung eines Waschprogramms“).

Der Waschvollautomat lädt kein Wasser (auf dem Display wird die Meldung „WASSERZULAUF PRÜFEN“ eingeblendet).

- Der Zufuhrschlauch ist nicht am Wasserhahn angeschlossen.
- Der Schlauch ist geknickt.
- Der Wasserhahn ist nicht aufgedreht.
- Es ist kein Wasser da.
- Der Druck ist unzureichend.
- Die Taste START/PAUSE wurde nicht gedrückt.

Der Waschvollautomat lädt laufend Wasser und pumpt es laufend ab.

- Der Ablaufschlauch befindet sich nicht auf der vorgeschriebenen Höhe, d.h. 65 – 100 cm vom Boden (siehe „Installation“).
- Das Schlauchende liegt unter Wasser (siehe „Installation“).
- Der Abfluss der Hausinstallation wurde nicht mit einer Entlüftungsöffnung versehen. Könnte die Störung durch diese Kontrollen nicht behoben werden, dann drehen Sie den Wasserhahn zu, schalten das Gerät aus und fordern den Kundendienst an. Falls Sie in einer der obersten Etagen eines Gebäudes wohnen, kann es vorkommen, dass sich im Syphon ein Vakuum bildet, und der Waschvollautomat ständig Wasser ansaugt und wieder abpumpt. Zur Lösung dieser Probleme bietet der Handel spezielle Syphonventile.

Der Waschvollautomat pumpt nicht ab und schleudert nicht.

- Das Programm sieht kein Abpumpen vor: Bei einigen Programmen muss es von Hand eingestellt werden (siehe „Programme und Funktionen“).
- Die Funktion „Leichtbügeln“ wurde aktiviert: zur Beendigung des Programms Taste START/PAUSE drücken (siehe „Programme und Funktionen“).
- Der Ablaufschlauch ist geknickt (siehe „Installation“).
- Die Ablaufleitung ist verstopft.

Der Waschvollautomat vibriert zu stark während des Schleuderns.

- Die Trommel wurde bei der Installation nicht korrekt befreit (siehe „Installation“).
- Der Waschvollautomat steht nicht eben (siehe „Installation“).
- Der Waschvollautomat steht zu eng zwischen der Wand und einem Möbel (siehe „Installation“).

Der Waschvollautomat ist undicht.

- Der Zulaufschlauch wurde nicht ordnungsgemäß aufgeschraubt (siehe „Installation“).
- Die Waschmittelschublade ist verstopft (zur Reinigung siehe „Wartung und Pflege“).
- Der Ablaufschlauch ist nicht korrekt befestigt (siehe „Installation“).

Das Gerät ist blockiert, das Display blinkt und zeigt einen Fehlercode an (zum Beispiel: F-01, F-..).

- Schalten Sie das Gerät aus und ziehen Sie den Netzstecker; warten Sie daraufhin ca. 1 Minute und schalten Sie es wieder ein. Bleibt die Störung bestehen, kontaktieren Sie bitte den Kundendienst.

Es bildet sich zu viel Schaum.

- Das Waschmittel ist für Waschmaschinen nicht geeignet (es muss mit der Aufschrift „Für Waschmaschinen“, „Für Handwäsche und Waschmaschinen“ usw. versehen sein).
- Es wurde zu hoch dosiert.

DE

Bevor Sie sich an den Kundendienst wenden:

- Sollten einige Kontrollen vorab selbst durchgeführt werden (*siehe „Störungen und Abhilfe“*);
- Starten Sie daraufhin das Programm erneut, um sicherzustellen, dass die Störung auch wirklich behoben wurde;
- Ist dies nicht der Fall, dann kontaktieren Sie den autorisierten Kundendienst unter der auf dem Garantieschein befindlichen Telefonnummer.

! Wenden Sie sich auf keinen Fall an nicht autorisierte Techniker.

Geben Sie bitte Folgendes an:

- die Art der Störung;
- das Maschinenmodell (Mod.);
- die Seriennummer (S/N).

Diese Daten entnehmen Sie bitte dem auf der Rückseite des Waschvollautomaten und auf der Vorderseite (Gerätetür öffnen) befindlichen Typenschild.

DELEGIERTE VERORDNUNG (EU) Nr. 1061/2010 DER KOMMISSION

Marke	HOTPOINT/ARISTON
Modell	BWMD 742 (EU)
Nennkapazität Baumwolle in kg	7.0
Energieeffizienzklasse (A+++ niedriger Verbrauch) bis D (hoher Verbrauch)	A++
Energieverbrauch pro Jahr in kWh ¹⁾	187.0
Energieverbrauch Standardprogramm 60° C Baumwolle bei ganzer Beladung ²⁾	1.105
Energieverbrauch Standardprogramm 60° C Baumwolle bei teilweiser Beladung ²⁾	0.605
Energieverbrauch Standardprogramm 40° C Baumwolle bei teilweiser Beladung ²⁾	0.577
Leistungsaufnahme im Aus-Zustand in W	0.5
Leistungsaufnahme im unausgeschalteten Zustand in W	8.0
Wasserverbrauch pro Jahr in Liter ³⁾	10038
Schleudereffizienzklasse (A höchste Effizienz) bis G (geringe Effizienz)	B
Maximale Schleuderdrehzahl U/min ⁴⁾	1400
Restfeuchte in % ⁵⁾	53%
Programmdauer 60° Baumwolle bei ganzer Beladung in Minuten	190
Programmdauer 60° Baumwolle bei teilweiser Beladung in Minuten	150
Programmdauer 40° Baumwolle bei teilweiser Beladung in Minuten	145
Dauer des unausgeschalteten Zustandes in Minuten nach Programmende	30
Luftschallemissionen Waschen dB(A) re 1pW ⁶⁾	42
Luftschallemissionen Schleudern dB(A) re 1pW ⁶⁾	66

¹⁾ Die Angaben beziehen sich auf die Standardprogramme 60° C Baumwolle, volle und teilweise Beladung sowie 40° C Baumwolle teilweise Beladung. Diese Programme eignen sich für normal verschmutzte Wäsche und sind die effizientesten Programme in Bezug auf den kombinierten Energie- und Wasserverbrauch. Unter teilweiser Beladung versteht man halbe Beladung.

²⁾ Angabe auf Grundlage von 220 Standard-Waschzyklen für 60 °C- und 40 °C- Baumwollprogramme bei vollständiger Befüllung und Teilbefüllung sowie dem Verbrauch der Betriebsarten mit geringer Leistungsaufnahme. Der tatsächliche Energieverbrauch hängt von der Art der Nutzung des Geräts ab

³⁾ Angabe auf Grundlage von 220 Standard-Waschzyklen für 60 °C- und 40 °C- Baumwollprogramme bei vollständiger Befüllung und Teilbefüllung. Der tatsächliche Wasserverbrauch hängt von der Art der Nutzung des Geräts ab.

⁴⁾ Für Programme Standard 60° Baumwolle bei ganzer und teilweiser Beladung oder für 40° Baumwolle bei teilweiser Beladung . Angabe des jeweils niedrigeren Wertes.

⁵⁾ Für Programme Standard 60° Baumwolle bei ganzer und teilweiser Beladung oder für 40° Baumwolle bei teilweiser Beladung . Angabe des jeweils höheren Wertes.

⁶⁾ Gemessen am Programme Standard 60° Baumwolle Vollast.