

Instructions for use

WASHING MACHINE

GB

GB

English,1

GR

ΕΛΛΗΝΙΚΑ,13

IT

Italiano,25

PT

Português,37

DE

Deutsch,49

TR

Türkçe,61

WMD 1044

Contents

Installation, 2-3

Unpacking and levelling
Connecting the electricity and water supplies
The first wash cycle
Technical data

Care and maintenance, 4

Cutting off the water or electricity supply
Cleaning the washing machine
Cleaning the detergent dispenser drawer
Caring for the door and drum of your appliance
Cleaning the pump
Checking the water inlet hose

Precautions and tips, 5

General safety
Disposal
Opening the porthole door manually

Description of the washing machine, 6-7

Control panel
Display

Running a wash cycle, 8

Wash cycles and functions, 9

Table of wash cycles
Wash functions

Detergents and laundry, 10

Detergent dispenser drawer
Preparing the laundry
Special wash cycles
Load balancing system

Troubleshooting, 11

Service, 12

Installation

GB

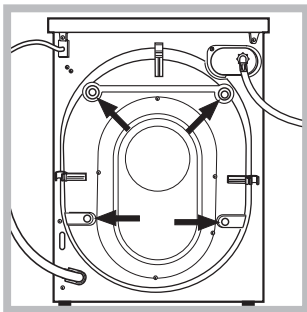
! This instruction manual should be kept in a safe place for future reference. If the washing machine is sold, transferred or moved, make sure that the instruction manual remains with the machine so that the new owner is able to familiarise himself/herself with its operation and features.

! Read these instructions carefully: they contain vital information relating to the safe installation and operation of the appliance.

Unpacking and levelling

Unpacking

1. Remove the washing machine from its packaging.
2. Make sure that the washing machine has not been damaged during the transportation process. If it has been damaged, contact the retailer and do not proceed any further with the installation process.

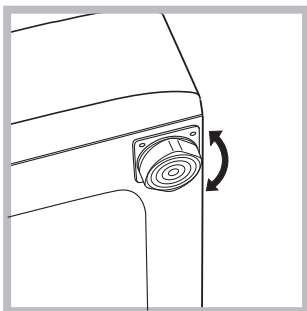


3. Remove the 4 protective screws (used during transportation) and the rubber washer with the corresponding spacer, located on the rear part of the appliance (see figure).

4. Close off the holes using the plastic plugs provided.
5. Keep all the parts in a safe place: you will need them again if the washing machine needs to be moved to another location.

! Packaging materials should not be used as toys for children.

Levelling

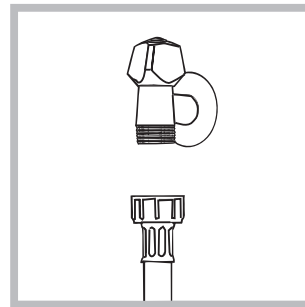


1. Install the washing machine on a flat sturdy floor, without resting it up against walls, furniture cabinets or anything else.
2. If the floor is not perfectly level, compensate for any unevenness by tightening or loosening the adjustable front feet (see figure); the angle of inclination, measured in relation to the worktop, must not exceed 2°.

Levelling the machine correctly will provide it with stability, help to avoid vibrations and excessive noise and prevent it from shifting while it is operating. If it is placed on carpet or a rug, adjust the feet in such a way as to allow a sufficient ventilation space underneath the washing machine.

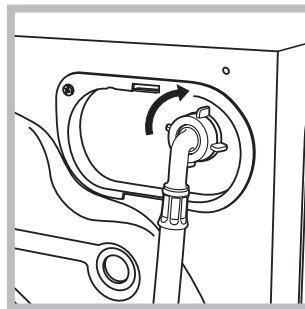
Connecting the electricity and water supplies

Connecting the water inlet hose



1. Connect the inlet hose by screwing it to a cold water tap using a 3/4 gas threaded connection (see figure).

Before performing the connection, allow the water to run freely until it is perfectly clear.



2. Connect the inlet hose to the washing machine by screwing it onto the corresponding water inlet of the appliance, which is situated on the top right-hand side of the rear part of the appliance (see figure).

3. Make sure that the hose is not folded over or bent.

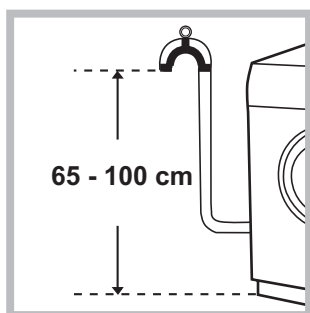
! The water pressure at the tap must fall within the range of values indicated in the Technical data table (see next page).

! If the inlet hose is not long enough, contact a specialised shop or an authorised technician.

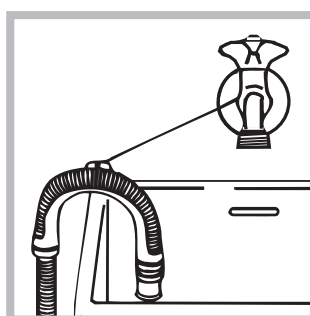
! Never use second-hand hoses.

! Use the ones supplied with the machine.

Connecting the drain hose



Connect the drain hose, without bending it, to a drain duct or a wall drain situated between 65 and 100 cm from the floor;



alternatively, placed it over the edge of a basin, sink or tub, fastening the duct supplied to the tap (see *figure*). The free end of the hose should not be underwater.

! We advise against the use of hose extensions; if it is absolutely necessary, the extension must have the same diameter as the original hose and must not exceed 150 cm in length.

Electrical connections

Before plugging the appliance into the electricity socket, make sure that:

- the socket is earthed and complies with all applicable laws;
- the socket is able to withstand the maximum power load of the appliance as indicated in the Technical data table (*see opposite*);
- the power supply voltage falls within the values indicated in the Technical data table (*see opposite*);
- the socket is compatible with the plug of the washing machine. If this is not the case, replace the socket or the plug.

! The washing machine must not be installed outdoors, even in covered areas. It is extremely dangerous to leave the appliance exposed to rain, storms and other weather conditions.

! When the washing machine has been installed, the electricity socket must remain within easy reach.

! Do not use extension cords or multiple sockets.

! The cable should not be bent or compressed.

! The power supply cable must only be replaced by authorised technicians.

Warning! The company shall not be held responsible in the event that these standards are not observed.

The first wash cycle

Once the appliance has been installed, and before you use it for the first time, run a wash cycle with detergent and no laundry, using wash cycle number "Auto Clean".

Technical data

Model	WMD 1044
Dimensions	width 59.5 cm height 85 cm depth 60.5 cm
Capacity	from 1 to 10 kg
Electrical connections	please refer to the technical data plate fixed to the machine
Water connections	maximum pressure 1 MPa (10 bar) minimum pressure 0.05 MPa (0.5 bar) drum capacity 71 litres
Spin speed	up to 1400 rotations per minute
Test wash cycles in accordance with directives 1061/2010 1015/2010	programme (60°) (1st press of the button); Cotton Standard 60°. programme (40°) (2nd press of the button); Cotton Standard 40°.



This appliance conforms to the following EC Directives:

- 2004/108/EC (Electromagnetic Compatibility)
- 2006/95/EC (Low Voltage)
- 2002/96/EC

Care and maintenance

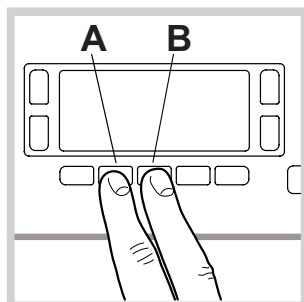
GB

Cutting off the water and electricity supplies

- Turn off the water tap after every wash cycle. This will limit wear on the hydraulic system inside the washing machine and help to prevent leaks.
- Unplug the washing machine when cleaning it and during all maintenance work.

Cleaning the washing machine

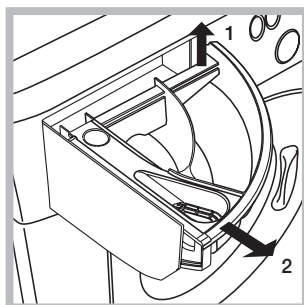
- The outer parts and rubber components of the appliance can be cleaned using a soft cloth soaked in lukewarm soapy water. Do not use solvents or abrasives.
- The washing machine has a “Auto Clean” programme for its internal parts that **must be run with no load in the drum**.



To help the wash cycle you may want to use either the detergent (i.e. a quantity 10% the quantity specified for lightly-soiled garments) or special additives to clean the washing machine. We recommend running a cleaning

programme every 40 wash cycles. To start the programme press buttons **A** and **B** simultaneously for 5 seconds (see figure). The programme will start automatically and will run for about 70 minutes. To stop the cycle press the START/PAUSE button.

Cleaning the detergent dispenser drawer



Remove the dispenser by raising it and pulling it out (see figure). Wash it under running water; this operation should be repeated frequently.

Caring for the door and drum of your appliance

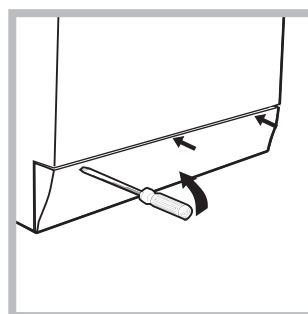
- Always leave the porthole door ajar in order to prevent unpleasant odours from forming.

Cleaning the pump

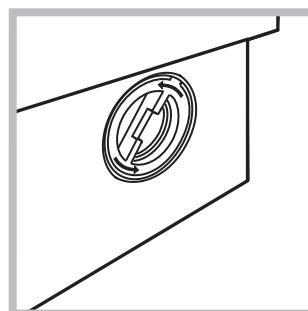
The washing machine is fitted with a self-cleaning pump which does not require any maintenance. Sometimes, small items (such as coins or buttons) may fall into the pre-chamber which protects the pump, situated in its bottom part.

! Make sure the wash cycle has finished and unplug the appliance.

To access the pre-chamber:



1. using a screwdriver, remove the cover panel on the lower front part of the washing machine (see figure);



2. unscrew the lid by rotating it anti-clockwise (see figure): a little water may trickle out. This is perfectly normal;

3. clean the inside thoroughly;
4. screw the lid back on;
5. reposition the panel, making sure the hooks are securely in place before you push it onto the appliance.

Checking the water inlet hose

Check the inlet hose at least once a year. If there are any cracks, it should be replaced immediately: during the wash cycles, water pressure is very strong and a cracked hose could easily split open.

! Never use second-hand hoses.

Precautions and tips

! This washing machine was designed and constructed in accordance with international safety regulations. The following information is provided for safety reasons and must therefore be read carefully.

General safety

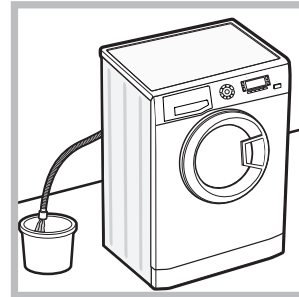
- This appliance was designed for domestic use only.
- This appliance is not intended for use by persons (including children) with reduced physical, sensory or mental capabilities, or lack of experience and knowledge, unless they have been given supervision or instruction concerning use of the appliance by a person responsible for their safety. Children should be supervised to ensure that they do not play with the appliance.
- Do not touch the machine when barefoot or with wet or damp hands or feet.
- Do not pull on the power supply cable when unplugging the appliance from the electricity socket. Hold the plug and pull.
- Do not open the detergent dispenser drawer while the machine is in operation.
- Do not touch the drained water as it may reach extremely high temperatures.
- Never force the porthole door. This could damage the safety lock mechanism designed to prevent accidental opening.
- If the appliance breaks down, do not under any circumstances access the internal mechanisms in an attempt to repair it yourself.
- Always keep children well away from the appliance while it is operating.
- The door can become quite hot during the wash cycle.
- If the appliance has to be moved, work in a group of two or three people and handle it with the utmost care. Never try to do this alone, because the appliance is very heavy.
- Before loading laundry into the washing machine, make sure the drum is empty.

Disposal

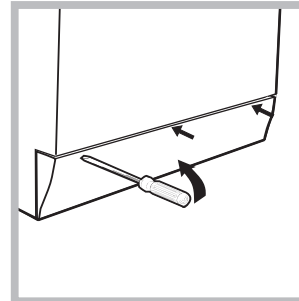
- Disposing of the packaging materials: observe local regulations so that the packaging may be re-used.
- The European Directive 2002/96/EC on Waste Electrical and Electronic Equipment, requires that old household electrical appliances must not be disposed of in the normal unsorted municipal waste stream. Old appliances must be collected separately in order to optimise the recovery and recycling of the materials they contain and reduce the impact on human health and the environment. The crossed out “wheeled bin” symbol on the product reminds you of your obligation, that when you dispose of the appliance it must be separately collected. Consumers should contact their local authority or retailer for information concerning the correct disposal of their old appliance.

Opening the porthole door manually

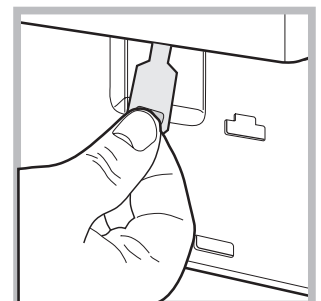
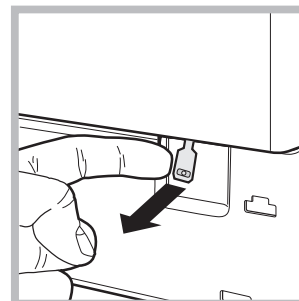
In the event that it is not possible to open the porthole door due to a powercut, and if you wish to remove the laundry, proceed as follows:



1. remove the plug from the electrical socket.
2. make sure the water level inside the machine is lower than the door opening; if it is not, remove excess water using the drain hose, collecting it in a bucket as indicated in the figure.



3. using a screwdriver, remove the cover panel on the lower front part of the washing machine (see figure).



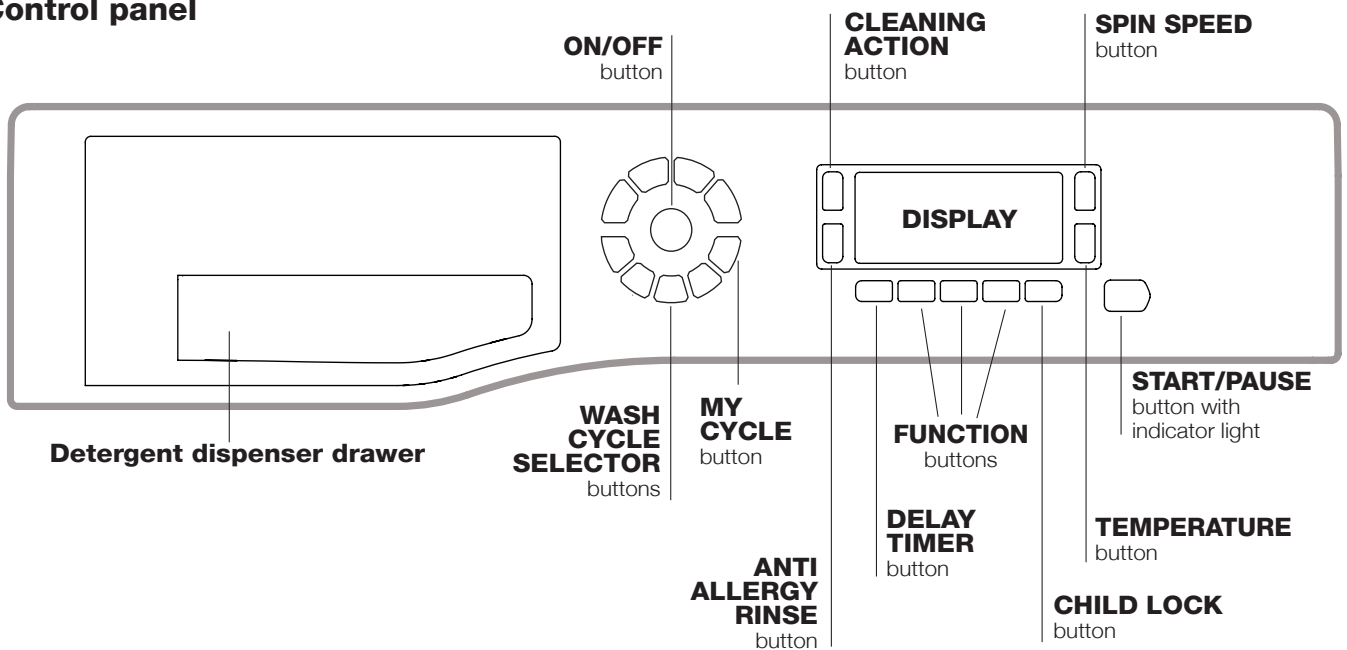
4. pull outwards using the tab as indicated in the figure, until the plastic tie-rod is freed from its stop position; pull downwards and open the door at the same time.

5. reposition the panel, making sure the hooks are securely in place before you push it onto the appliance.


Description of the washing machine

GB

Control panel



Detergent dispenser drawer: used to dispense detergents and washing additives (see “Detergents and laundry”).

ON/OFF button : press this briefly to switch the machine on or off. The START/PAUSE indicator light, which flashes slowly in a green colour shows that the machine is switched on. To switch off the washing machine during the wash cycle, press and hold the button for approximately 3 seconds; if the button is pressed briefly or accidentally the machine will not switch off. If the machine is switched off during a wash cycle, this wash cycle will be cancelled.


WASH CYCLE SELECTOR buttons: used to set the desired wash cycle (see “Table of wash cycles”).


MY CYCLE button: press and hold the button to store a cycle with your own set of preferences in the memory of the machine. To recall a previously stored cycle, press the MY CYCLE button.



FUNCTION buttons: press the button to select the desired function. The corresponding indicator light on the display will switch on.


CLEANING ACTION button : to select the desired wash intensity.

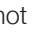
ANTI ALLERGY RINSE button : press to select the desired rinse type.

SPIN button : press to reduce or completely exclude the spin cycle - the value is indicated on the display.

TEMPERATURE button : press to decrease the temperature: the value will be shown on the display.

CHILD LOCK button : to activate the control panel lock, press and hold the button for approximately 2 seconds. When the symbol  is illuminated, the control panel is locked (apart from the ON/OFF button). This means it is possible to prevent wash cycles from being modified accidentally, especially where there are children in the home. To deactivate the control panel lock, press and hold the button for approximately 2 seconds.

DELAY TIMER button : press to set a delayed start time for the selected wash cycle. The delay time will be shown on the display.

START/PAUSE button with indicator light: when the green indicator light flashes slowly, press the button to start a wash cycle. Once the cycle has started the indicator light will remain lit in a fixed manner. To pause the wash cycle, press the button again; the indicator light will flash in an orange colour. If the symbol  is not illuminated, the door may be opened. To start the wash cycle from the point at which it was interrupted, press the button again.

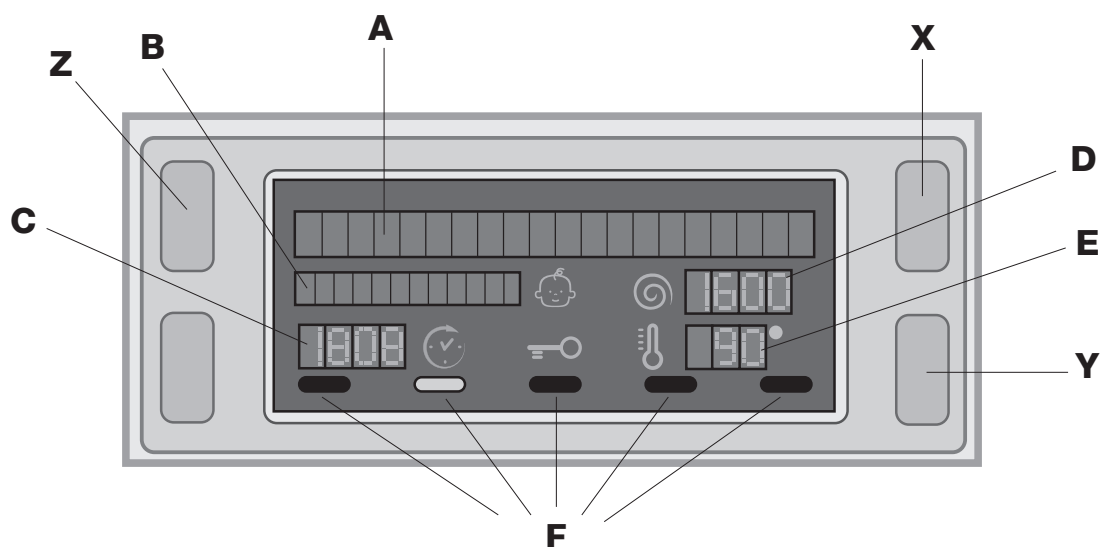
Standby mode

This washing machine, in compliance with new energy saving regulations, is fitted with an automatic standby system which is enabled after about 30 minutes if no activity is detected. Press the ON-OFF button briefly and wait for the machine to start up again.

Consumption in off-mode: 0,5 W

Consumption in Left-on: 0,5 W

Display



The display is useful when programming the machine and provides a great deal of information.

The two upper strings **A** and **B** provide details of the wash cycle selected, the wash cycle phase in progress and all information relating to the progress status of the wash cycle.

String **C** shows the time remaining until the end of the wash cycle in progress and, if a DELAYED START has been set, the time remaining until the start of the selected wash cycle.

String **D** shows the maximum spin speed value (this depends on the selected wash cycle); if the wash cycle does not include a spin cycle, the string remains unused.

String **E** shows the maximum temperature value which may be selected (this depends on the wash cycle used); if the temperature of the wash cycle cannot be modified, the string remains unused.

Indicator lights **F** correspond to the functions and light up when the selected function is compatible with the set wash cycle.

Door locked symbol

If the symbol is lit, this indicates that the washing machine door is blocked to prevent it from being opened accidentally. To prevent any damage from occurring, wait for the symbol to switch itself off before opening the appliance door.

N.B.: if the DELAYE TIMER function has been activated, the door cannot be opened; pauses the machine by pressing the START/PAUSE button if you wish to open it.


! The first time the machine is switched on, you will be asked to select the language and the display will automatically show the language selection menu.




To select the desired language press the **X** and **Y** buttons; to confirm the selection press the **Z** button.


To change the language switch off the machine and press buttons **X**, **Y**, **Z** **simultaneously** until an alarm is heard: the language-selection menu will be displayed again.

Running a wash cycle


GB

1. **SWITCH THE MACHINE ON.** Press the On/Off button ; the text POWER ON will appear on the display and the START/PAUSE indicator light will flash slowly in a green colour.
2. **LOAD THE LAUNDRY.** Open the porthole door. Load the laundry, making sure you do not exceed the maximum load value indicated in the table of programmes on the following page.
3. **MEASURE OUT THE DETERGENT.** Open the detergent dispenser drawer and pour the detergent into the relevant compartments as described in "Detergents and laundry".
4. **CLOSE THE DOOR.**
5. **SELECT THE WASH CYCLE.** Press one of the WASH CYCLE SELECTOR buttons to select the required wash cycle; the name of the wash cycle will appear on the display. A temperature and spin speed is set for each wash cycle; these may be adjusted. The duration of the cycle will appear on the display.
6. **CUSTOMISE THE WASH CYCLE.** Use the relevant buttons:


 **Modifying the temperature and/or spin speed.** The machine automatically selects the maximum temperature and spin speed set for the selected wash cycle; these values cannot therefore be increased. The temperature can be decreased by pressing the  button, until the cold wash "OFF" setting is reached. The spin speed may be progressively reduced by pressing the  button, until it is completely excluded (the "OFF" setting). If these buttons are pressed again, the maximum values are restored.

! Exception: if the  (60°) (1st press of the button) programme is selected, the temperature can be increased up to a value of 90°C.


Setting a delayed start.

To set a delayed start for the selected programme, press the corresponding button repeatedly until the required delay period has been reached. When this option is enabled, the  symbol lights up on the display. To remove the delayed start function press the button until the text "OFF" appears on the display.


Set the desired wash intensity.

Option  makes it possible to optimise washing based on the level of soil in the fabrics and on desired wash cycle intensity.

Select the wash programme: the cycle will be automatically set to "Normal" as optimised for garments with an average level of soil (this setting is not applicable to the "Wool" cycle, which is automatically set to "Delicate").


For heavily-soiled garments press button  until the "Super Wash" level is reached. This level ensures a high-performance wash due to a larger quantity of water used in the initial phase of the cycle and due to increased drum rotation. It is useful when removing the most stubborn stains.

It can be used **with** or **without** bleach. If you wish to bleach the items insert the additional compartment (4) into compartment 1. When pouring the bleach, be careful not to exceed the "max" level marked on the central pivot (see figure pag. 10).

For lightly-soiled garments or a more delicate treatment of the fabrics, press button  until the "Delicate" level is reached.

The cycle will reduce the drum rotation to ensure washing results are perfect for delicate garments.

Set the rinse type.

Option  makes it possible to select the desired rinse type for sensitive skin. Press the button once for the "Extra Rinse" level, which makes it possible to select an additional rinse after the standard cycle rinse and remove all traces of detergent. Press the button again for the "Sensitive Skin" level, which makes it possible to select two additional rinses to the standard cycle rinses; it is recommended for very sensitive skin. Press the button for the third time for the "Anti allergy Rinse" level, which makes it possible to select three additional rinses to the standard cycle rinses and remove major allergens such as pollen, mites, cat and dog hair. Press the button again to go back to the "Normal Rinse" rinse type. If the current adjustment can be neither set nor changed, the display will show "Not allowed".

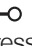

Modifying the cycle settings.


- Press the button to enable the function; the indicator light corresponding to the button will switch on.
- Press the button again to disable the function; the indicator light will switch off.

! If the selected function is not compatible with the programmed wash cycle, the indicator light will flash and the function will not be activated.

! If the selected function is not compatible with another function which has been selected previously, the indicator light corresponding to the first function selected will flash and only the second function will be activated; the indicator light corresponding to the enabled function will remain lit.

! The functions may affect the recommended load value and/or the duration of the cycle.

7. **START THE PROGRAMME.** Press the START/PAUSE button. The corresponding indicator light will become green, remaining lit in a fixed manner, and the door will be locked (the DOOR LOCKED symbol will be on). During the wash cycle, the name of the phase in progress will appear on the display. To change a wash cycle while it is in progress, pause the washing machine using the START/PAUSE button (the START/PAUSE indicator light will flash slowly in an orange colour); then select the desired cycle and press the START/PAUSE button again. To open the door while a cycle is in progress, press the START/PAUSE button; if the DOOR LOCKED  symbol is switched off the door may be opened. Press the START/PAUSE button again to restart the wash cycle from the point at which it was interrupted.
8. **THE END OF THE WASH CYCLE.** This will be indicated by the text "END OF CYCLE" on the display; when the DOOR LOCKED  symbol switches off the door may be opened. Open the door, unload the laundry and switch off the machine.

! If you wish to cancel a cycle which has already begun, press and hold the  button. The cycle will be stopped and the machine will switch off.

Wash cycles and functions

Table of wash cycles

Wash cycles	Description of the wash cycle	Max. temp. (°C)	Max. speed (rpm)	Detergents				Max. load (kg)	Residual dampness %	Energy consumption kWh	Total water lt	Cycle duration
				Prewash	Wash	Bleach	Fabric softener					
Anti Stain		40°	1400	●	●	-	●	6	-	-	-	190'
Cotton Standard 60° (1st press of the button) (1): heavily soiled whites and delicate colours.		60° (Max. 90°)	1400	● (3)	●	●	●	10	53	1,09	85	210'
Cotton Standard 40° (2nd press of the button) (2): lightly soiled whites and delicate colours.		40°	1400	-	●	●	●	10	53	1,09	92	185'
Cotton Standard 20° (3rd press of the button): lightly soiled whites and delicate colours.		20°	1400	-	●	●	●	10	-	-	-	175'
Synthetics (1st press of the button): heavily soiled resistant colours.		60°	800	●	●	●	●	5,5	48	0,99	57	120'
Synthetics (1st press of the button) (4): lightly soiled resistant colours.		40°	800	●	●	●	●	5,5	48	0,63	55	100'
Synthetics (2nd press of the button): lightly soiled delicate colours.		40°	800	●	●	●	●	5,5	-	-	-	80'
Fast Wash 60' (1st press of the button): to refresh normal soiled garments quickly (not suitable for wool, silk and clothes which require washing by hand).		60°	1400	-	●	-	●	4	53	0,54	57	60'
Fast Wash 30' (2nd press of the button): to refresh lightly soiled garments quickly (not suitable for wool, silk and clothes which require washing by hand).		30°	800	-	●	-	●	4	71	0,21	41	30'
M My Cycle: allows for any wash cycle to be stored.												
Bed&Bath: washes bathroom laundry and bedlinen.		60°	1400	●	●	-	●	10	-	-	-	155'
Wool: for wool, cashmere, etc.		40°	800	-	●	-	●	2,5	-	-	-	100'
Delicates		30°	0	-	●	-	●	1	-	-	-	80'
Spin (1st press of the button)		-	1400	-	-	-	-	10	-	-	-	16'
Rinse (2nd press of the button)		-	1400	-	-	-	●	10	-	-	-	49'
Pump out (3rd press of the button)		-	0	-	-	-	-	10	-	-	-	2'

The length of cycle shown on the display or in this booklet is an estimation only and is calculated assuming standard working conditions. The actual duration can vary according to factors such as water temperature and pressure, the amount of detergent used, the amount and type of load inserted, load balancing and any wash options selected.

- 1) Test wash cycle in compliance with directive 1061/2010: set wash cycle 60°C (1st press of the button). This cycle is designed for cotton loads with a normal soil level and is the most efficient in terms of both electricity and water consumption; it should be used for garments which can be washed at 60°C. The actual washing temperature may differ from the indicated value.
- 2) Test wash cycle in compliance with directive 1061/2010: set wash cycle 40°C (2nd press of the button). This cycle is designed for cotton loads with a normal soil level and is the most efficient in terms of both electricity and water consumption; it should be used for garments which can be washed at 40°C. The actual washing temperature may differ from the indicated value.
- 3) At 60 °C the "Prewash" function cannot be selected.

For all Test Institutes:

- 2) Long wash cycle for cottons: set wash cycle 40°C (2nd press of the button).
- 4) Long wash cycle for synthetics: set wash cycle 60°C (1st press of the button); temperature of 40°C (press TEMPERATURE button).

Wash functions

Prewash

If this function is selected, the pre-wash cycle will run; this is useful for removing stubborn stains.

N.B.: put the detergent in the relevant compartment.

! It cannot be used in conjunction with wash cycles

.

Easy Iron

By selecting this function, the wash and spin cycles will be modified in order to reduce the formation of creases.

At the end of the cycle the washing machine will perform slow rotations of the drum; the "Easy Iron" and START/PAUSE indicator lights will flash (orange) and the text "END OF CYCLE" will appear on the display. To end the cycle, press the START/PAUSE button or the "Easy Iron" button.

! It cannot be used with the , "Fast Wash 30'", , , .

Eco Wash

The Eco Wash function saves energy by not heating the water used to wash your laundry – an advantage both to the environment and to your energy bill. Instead, intensified wash action and water optimisation ensure great wash results in the same average time of a standard cycle.

For the best washing results we recommend the usage of a liquid detergent.

! It cannot be used with the , , , , , .

Detergents and laundry

GB

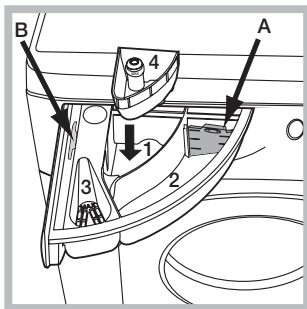
Detergent dispenser drawer

Good washing results also depend on the correct dose of detergent: adding too much detergent will not necessarily result in a more efficient wash, and may in fact cause a build up on the inside of your appliance and contribute to environmental pollution.

! Use powder detergent for white cotton garments, for pre-washing, and for washing at temperatures over 60°C.

! Follow the instructions given on the detergent packaging.

! Do not use hand washing detergents because these create too much foam.



Open the detergent dispenser drawer and pour in the detergent or washing additive, as follows.

compartment 1: Pre-wash detergent (powder)

Before pouring in the detergent, make sure that extra compartment 4 has been removed.

compartment 2: Detergent for the wash cycle (powder or liquid)

If liquid detergent is used, it is recommended that the removable plastic partition **A** (supplied) be used for proper dosage.

If powder detergent is used, place the partition into slot **B**.

compartment 3: Additives (fabric softeners, etc.)

The fabric softener should not overflow the grid.

extra compartment 4: Bleach


Preparing the laundry


- Divide the laundry according to:
 - the type of fabric/the symbol on the label
 - the colours: separate coloured garments from whites.
- Empty all garment pockets and check the buttons.
- Do not exceed the listed values, which refer to the weight of the laundry when dry: see "Table of wash cycles".


How much does your laundry weigh?

- 1 sheet 400-500 g
- 1 pillow case 150-200 g
- 1 tablecloth 400-500 g
- 1 bathrobe 900-1200 g
- 1 towel 150-250 g

Special wash cycles

Anti Stain : this programme is suitable to heavily-soiled garments with resistant colours. It ensures a washing class that is higher than the standard class (A class). When running the programme, do not mix garments of different colours. We recommend the use of powder detergent. Pre-treatment with special additives is recommended if there are obstinate stains.


Cotton Standard 20° : ideal for heavily soiled cotton loads. The effective performance levels achieved at cold temperatures, which are comparable to washing at 40°, are guaranteed by a mechanical action which operates at varying speed, with repeated and frequent peaks.



Bed&Bath: use programme  to wash bed linen and towels in one single cycle: it optimises softener performance and helps you save time and energy. We recommend the use of powder detergent.

Wool: the wool wash cycle on this Hotpoint/Ariston machine has been tested and approved by The Woolmark Company for washing wool garments labelled as hand washable provided that the garments are washed according to the instructions on the garment label and those issued by the manufacturer of this washing machine. Hotpoint/Ariston is the first washing machine brand to be approved by The Woolmark Company for Apparel Care- Platinum for its washing performance and consumption of energy and water. (M1135)



In UK, Eire, Hong Kong and India the Woolmark trade mark is a Certification trade mark.

Delicates: use programme  to wash very delicate garments with decorative features, such as diamantes and sequins.

To wash **silk** garments and **curtains** select the cycle  and set the "Delicate" level from option .

We recommend turning the garments inside out before washing and placing small items into the special bag for washing delicates. Use liquid detergent on delicate garments for best results.

Load balancing system

Before every spin cycle, to avoid excessive vibrations and to distribute the load in a uniform manner, the drum rotates continuously at a speed which is slightly greater than the washing rotation speed. If, after several attempts, the load is not balanced correctly, the machine spins at a reduced spin speed. If the load is excessively unbalanced, the washing machine performs the distribution process instead of spinning. To encourage improved load distribution and balance, we recommend small and large garments are mixed in the load.

Troubleshooting

Your washing machine could fail to work. Before contacting the Technical Assistance Centre (see "Assistance"), make sure that the problem cannot be not solved easily using the following list.

Problem:

Possible causes / Solutions:

The washing machine does not switch on.

- The appliance is not plugged into the socket fully, or is not making contact.
- There is no power in the house.

The wash cycle does not start.

- The washing machine door is not closed properly.
- The ON/OFF button has not been pressed.
- The START/PAUSE button has not been pressed.
- The water tap has not been opened.
- A delayed start has been set (see "Running a wash cycle").

The washing machine does not take in water (the text "NO WATER, CHECK SUPPLY" appears on the display).

- The water inlet hose is not connected to the tap.
- The hose is bent.
- The water tap has not been opened.
- There is no water supply in the house.
- The pressure is too low.
- The START/PAUSE button has not been pressed.

The washing machine continuously takes in and drains water.

- The drain hose is not fitted at a height between 65 and 100 cm from the floor (see "Installation").
- The free end of the hose is under water (see "Installation").
- The wall drainage system is not fitted with a breather pipe.

If the problem persists even after these checks, turn off the water tap, switch the appliance off and contact the Assistance Service. If the dwelling is on one of the upper floors of a building, there may be problems relating to water drainage, causing the washing machine to fill with water and drain continuously. Special anti-draining valves are available in shops and help to avoid this inconvenience.

The washing machine does not drain or spin.

- The wash cycle does not include draining: some wash cycles require the drain phase to be started manually (see "Wash cycles and functions").
- The EASY IRON function has been activated: To complete the wash cycle, press the START/PAUSE button (see "Wash cycles and functions").
- The drain hose is bent (see "Installation").
- The drainage duct is clogged.

The washing machine vibrates a lot during the spin cycle.

- The drum was not unlocked correctly during installation (see "Installation").
- The washing machine is not level (see "Installation").
- The washing machine is trapped between cabinets and walls (see "Installation").

The washing machine leaks.

- The water inlet hose is not screwed on properly (see "Installation").
- The detergent dispenser drawer is blocked (for cleaning instructions, see "Care and maintenance").
- The drain hose is not fixed properly (see "Installation").

The machine is locked and the display flashes, indicating an error code (e.g. F-01, F-..).

- Switch off the machine and unplug it, wait for approximately 1 minute and then switch it back on again.
If the problem persists, contact the Technical Assistance Service.

There is too much foam.

- The detergent is not suitable for machine washing (it should display the text "for washing machines" or "hand and machine wash", or the like).
- Too much detergent was used.

Service

GB

Before calling for Assistance:

- Check whether you can solve the problem alone (see “*Troubleshooting*”);
- Restart the programme to check whether the problem has been solved;
- If this is not the case, contact an authorised Technical Assistance Centre using the telephone number provided on the guarantee certificate.

! Always request the assistance of authorised technicians.

Have the following information to hand:

- the type of problem;
- the appliance model (Mod.);
- the serial number (S/N).

This information can be found on the data plate applied to the rear of the washing machine, and can also be found on the front of the appliance by opening the door.

GR

Ελληνικά

WMD 1044

Περιεχόμενα

Εγκατάσταση, 14-15

Αποσυσκευασία και οριζοντίωση
Υδραυλικές και ηλεκτρικές συνδέσεις
Πρώτος κύκλος πλυσίματος
Τεχνικά στοιχεία

Συντήρηση και φροντίδα, 16

Αποκλεισμός νερού και ηλεκτρικού ρεύματος
Καθαρισμός του πλυντηρίου
Καθαρισμός του συρταριού απορρυπαντικών
Φροντίδα της πόρτας και του κάδου
Καθαρισμός της αντλίας
Έλεγχος του σωλήνα τροφοδοσίας του νερού

Προφυλάξεις και συμβουλές, 17

Γενική ασφάλεια
Διάθεση
Χειρονακτικό άνοιγμα της πόρτας

Περιγραφή του πλυντηρίου, 18-19

Πίνακας ελέγχου
Οθόνη

Πως διενεργείται ένας κύκλος πλυσίματος, 20

Προγράμματα και λειτουργίες, 21

Πίνακας των Προγραμμάτων
Λειτουργίες πλυσίματος

Απορρυπαντικά και μπουγάδα, 22

Θήκη απορρυπαντικών
Προετοιμασία της μπουγάδας
Ειδικά προγράμματα
Σύστημα ισοστάθμισης του φορτίου

Ανωμαλίες και λύσεις, 23

Υποστήριξη, 24

GR

Εγκατάσταση

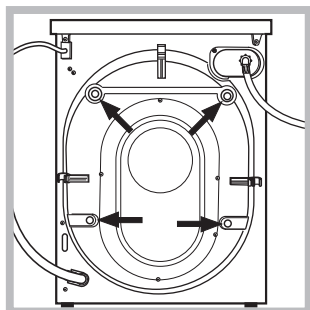
GR

! Είναι σημαντικό να διατηρήσετε το εγχειρίδιο αυτό για να μπορείτε να το συμβουλευέστε οποιαδήποτε στιγμή. Σε περίπτωση πώλησης, παραχώρησης ή μετακόμισης, βεβαιωθείτε ότι παραμένει μαζί με το πλυντήριο για να πληροφορεί τον νέο ιδιοκτήτη για τη λειτουργία και τις σχετικές προειδοποιήσεις.

! Διαβάστε προσεκτικά τις οδηγίες: υπάρχουν σημαντικές πληροφορίες για την εγκατάσταση, τη χρήση και την ασφάλεια.

Αποσυσκευασία και οριζόντιωση

Αποσυσκευασία



1. Αποσυσκευάστε το πλυντήριο.
2. Ελέγξτε αν το πλυντήριο έχει υποστεί ζημιές κατά τη μεταφορά. Αν έχει υποστεί ζημιές μην το συνδέετε και επικοινωνήστε με τον μεταπωλητή.

3. Αφαιρέστε τις 4 βίδες προστασίας για τη μεταφορά και το λαστιχάκι με το σχετικό διαχωριστικό, που βρίσκονται στο πίσω μέρος (βλέπε εικόνα).

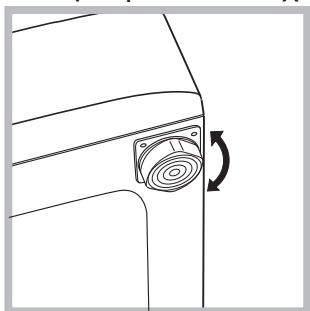
4. Κλείστε τις οπές με τα πλαστικά πώματα που σας παρέχονται.

5. Διατηρείστε και τα τρία τεμάχια: αν το πλυντήριο χρειαστεί να μεταφερθεί, θα πρέπει να ξαναμονταριστούν.

! Οι συσκευασίες δεν είναι παιχνίδια για μικρά παιδιά.

Ευθυγράμμιση

1. Εγκαταστήστε το πλυντήριο σε ένα δάπεδο επίπεδο και ανθεκτικό, χωρίς να το ακουμπήσετε σε τοίχους, έπιπλα ή άλλο.



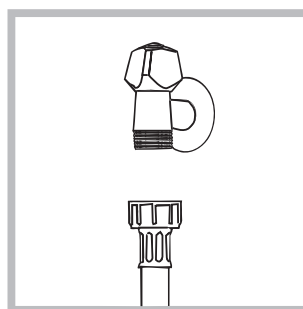
2. Αν το δάπεδο δεν είναι απόλυτα οριζοντιωμένο, αντισταθμίστε τις ανωμαλίες βιδώνοντας ή ξεβιδώνοντας τα πρόσθια ποδαράκια (βλέπε εικόνα). Η γωνία κλίσης, μετρημένη στην

επιφάνεια εργασίας, δεν πρέπει να ξεπερνάει τις 2°.

Μια φροντισμένη οριζόντιωση προσδίδει σταθερότητα στη μηχανή και αποσοβεί δονήσεις, θορύβους και μετατοπίσεις κατά τη λειτουργία. Σε περίπτωση μοκέτας ή τάπητα, ρυθμίστε τα ποδαράκια έτσι ώστε να υφίσταται κάτω από το πλυντήριο αρκετός χώρος για τον αερισμό.

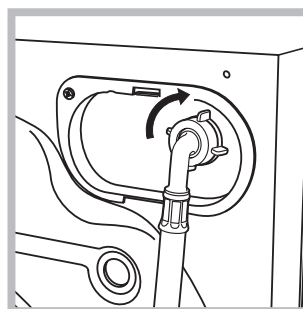
Υδραυλικές και ηλεκτρικές συνδέσεις

Σύνδεση του σωλήνα τροφοδοσίας του νερού



διαυγές.

1. Συνδέστε το σωλήνα τροφοδοσίας βιδώνοντάς τον σε ένα κρουνό κρούου νερού με στόμιο σπειρώματος 3/4 gas (βλέπε εικόνα). Πριν τη σύνδεση, αφήστε να τρέξει το νερό μέχρι να γίνει



2. Συνδέστε το σωλήνα τροφοδοσίας στο πλυντήριο βιδώνοντάς τον στην αντίστοιχη είσοδο νερού, στο πίσω μέρος επάνω δεξιά (βλέπε εικόνα).

3. Προσέξτε ώστε στο σωλήνα να μην υπάρχουν ούτε πτυχώσεις, ούτε στενώσεις.

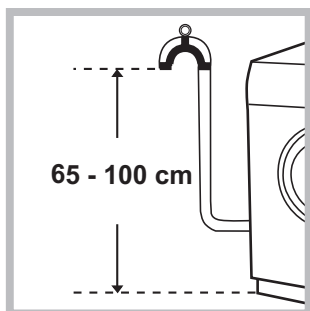
! Η πίεση νερού του κρουνού πρέπει να κυμαίνεται μεταξύ των τιμών του πίνακα Τεχνικά στοιχεία (βλέπε σελίδα δίπλα).

! Αν το μήκος του σωλήνα τροφοδοσίας δεν επαρκεί, απευθυνθείτε σε ένα ειδικευμένο κατάστημα ή σε εξουσιοδοτημένο τεχνικό.

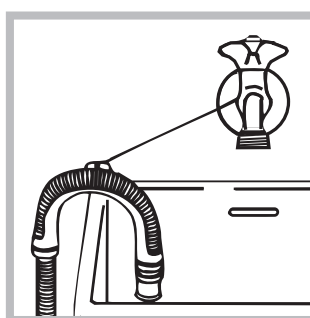
! Μη χρησιμοποιείτε ποτέ χρησιμοποιημένους σωλήνες.

! Χρησιμοποιείτε εκείνους που σας παρέχονται με τη μηχανή.

Σύνδεση του σωλήνα αδειάσματος



Συνδέστε το σωλήνα αδειάσματος, χωρίς να τον διπλώσετε, σε μια σωλήνωση αδειάσματος ή σε μια παροχέτευση επιτοίχια σε ύψος από το έδαφος μεταξύ 65 και 100 cm.



Ή στηρίξτε τον στο χείλος ενός νιπτήρα ή μιας λεκάνης, δένοντας τον οδηγό που σας παρέχεται στον κρουνό (βλέπε εικόνα). Το ελεύθερο άκρο του σωλήνα

αδειάσματος δεν πρέπει να παραμένει βυθισμένο στο νερό.

! Δεν συνιστάται η χρήση προεκτάσεων σωλήνων. Αν απαιτείται, η προέκταση πρέπει να έχει την ίδια διάμετρο του αρχικού σωλήνα και να μην ξεπερνάει τα 150 cm.

Ηλεκτρική σύνδεση

Πριν εισάγετε το βύσμα στην ηλεκτρική πρίζα, βεβαιωθείτε ότι:

- η πρίζα διαθέτει γείωση και τηρεί τις εκ του νόμου προδιαγραφές.
- Η πρίζα να είναι σε θέση να υποφέρει το μέγιστο φορτίο ισχύος της μηχανής, που αναφέρεται στον πίνακα Τεχνικών στοιχείων (βλέπε δίπλα).
- Η τάση τροφοδοσίας να κυμαίνεται μεταξύ των τιμών που αναφέρονται στον πίνακα Τεχνικών στοιχείων (βλέπε δίπλα).
- Η πρίζα να είναι συμβατή με το βύσμα του πλυντηρίου. Σε αντίθετη περίπτωση, αντικαταστήστε την πρίζα ή το βύσμα.

! Το πλυντήριο δεν εγκαθίσταται σε ανοιχτό χώρο, ακόμη και αν ο χώρος είναι καλυμμένος, διότι είναι πολύ επικίνδυνο να το αφήσετε εκτεθειμένο σε βροχή και κακοκαιρία.

! Με την εγκατάσταση του πλυντηρίου, η πρίζα ρεύματος πρέπει να είναι εύκολα προσβάσιμη.

! Μη χρησιμοποιείτε προεκτάσεις και πολύπριζα.



! Το καλώδιο δεν πρέπει να φέρει πτυχές ή να είναι συμπιεσμένο.

! Το καλώδιο τροφοδοσίας πρέπει να αντικαθίσταται μόνο από εξουσιοδοτημένους τεχνικούς.

Προσοχή! Η επιχείρηση αποποιείται κάθε ευθύνης σε περίπτωση που δεν τηρούνται αυτοί οι κανόνες.

Πρώτος κύκλος πλυσίματος

Μετά την εγκατάσταση, πριν τη χρήση, διενεργήστε ένα κύκλο πλυσίματος με απορρυπαντικό και χωρίς ρούχα θέτοντας το πρόγραμμα “ΑΥΤΟ-ΚΑΘΑΡΙΣΜΟΣ”.

Τεχνικά στοιχεία	
Μοντέλο	WMD 1044
Διαστάσεις	πλάτος cm 59,5 ύψος cm 85 βάθος cm 60,5
Χωρητικότητα	από 1 έως 10 kg
Ηλεκτρικές συνδέσεις	Βλέπε την πινακίδα χαρακτηριστικών επί της μηχανής
Συνδέσεις νερού	μέγιστη πίεση 1 MPa (10 bar) Ελάχιστη πίεση 0,05 MPa (0,5 bar) χωρητικότητα του κάδου 71 λίτρα
Ταχύτητα στυψίματος	μέχρι 1400 στροφές το λεπτό
Προγράμματα ελέγχου σύμφωνα με τις οδηγίες 1061/2010 και 1015/2010	πρόγραμμα ◻ (60°) (1° πάτημα του κουμπού); κανονικό πρόγραμμα για βαμβακερά στους 60°C; πρόγραμμα ◻ (40°) (2° πάτημα του κουμπού); κανονικό πρόγραμμα για βαμβακερά στους 40°C.
	Η συσκευή αυτή είναι σύμφωνη με τις ακόλουθες Κοινοτικές Οδηγίες: - 2004/108/CE (Ηλεκτρομαγνητική Συμβατότητα) - 2002/96/CE - 2006/95/CE (Χαμηλή Τάση)
	

Συντήρηση και φροντίδα

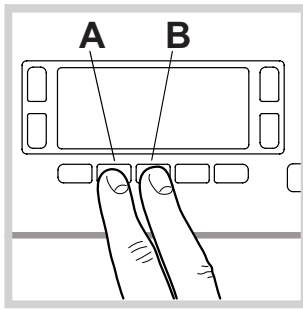
GR

Αποκλεισμός νερού και ηλεκτρικού ρεύματος

- Κλείνετε τον κρουνό του νερού μετά από κάθε πλύσιμο. Έτσι περιορίζεται η φθορά της υδραυλικής εγκατάστασης του πλυντηρίου και αποσοβείται ο κίνδυνος απωλειών.
- Να βγάζετε το βύσμα από το ρεύμα όταν καθαρίζετε το μηχάνημα και κατά τις εργασίες συντήρησης.

Καθαρισμός του πλυντηρίου

- Το εξωτερικό μέρος και τα λαστιχένια μέρη μπορούν να καθαρίζονται με ένα πανί βρεγμένο με χλιαρό νερό και σαπούνι. Μη χρησιμοποιείτε διαλύτες ή αποξυστικά.
- Το πλυντήριο διαθέτει ένα πρόγραμμα "ΑΥΤΟ-ΚΑΘΑΡΙΣΜΟΣ" των εσωτερικών μερών που πρέπει να διενεργείται **χωρίς κανένα τύπο φορτίου στον κάδο**.



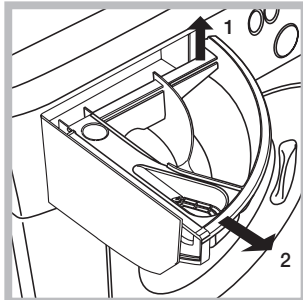
Το απορρυπαντικό (σε ποσότητα ίση με το 10% της προτεινόμενης για ρούχα λίγο λερωμένα) ή πρόσθετα ειδικά για τον καθαρισμό του πλυντηρίου, μπορούν να χρησιμοποιηθούν ως ενισχυτικά

στο πρόγραμμα πλύσης. Συνιστάται να διενεργείτε το πρόγραμμα καθαρισμού κάθε 40 κύκλους πλυσίματος.

Για την ενεργοποίηση του προγράμματος πατήστε ταυτόχρονα τα κουμπιά **A** και **B** για 5 δευτερόλεπτα (βλέπε *Εικόνα*).

Το πρόγραμμα θα ξεκινήσει αυτόματα και θα έχει διάρκεια περίπου 70 λεπτών. Για να σταματήσετε τον κύκλο πατήστε το κουμπί **START/PAUSE**.

Καθαρισμός του συρταριού απορρυπαντικών



Τραβήξτε το συρτάρι ανασηκώνοντάς το και τραβώντας το προς τα έξω (βλέπε *εικόνα*).

Πλένετέ το κάτω από τρεχούμενο νερό. Ο καθαρισμός αυτός διενεργείται συχνά.

Φροντίδα της πόρτας και του κάδου

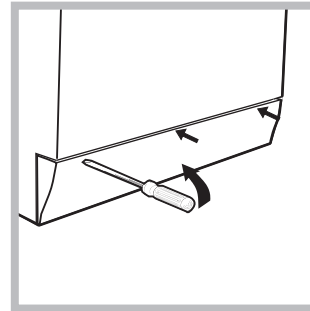
- Να αφήνετε πάντα μισόκλειστη την πόρτα για να μην παράγονται δυσοσμίες.

Καθαρισμός της αντλίας

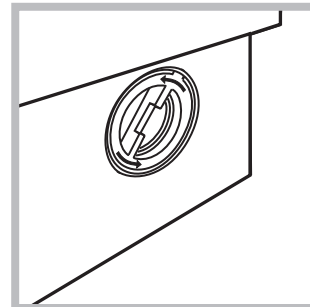
Το πλυντήριο διαθέτει μια αντλία αυτοκαθαριζόμενη που δεν χρειάζεται συντήρηση. Μπορεί, όμως, να τύχει να πέσουν μικρά αντικείμενα (κέρματα, κουμπιά) στον προθάλαμο που προστατεύει την αντλία, που βρίσκεται στο κάτω μέρος αυτής.

! Βεβαιωθείτε ότι ο κύκλος πλυσίματος έχει τελειώσει και βγάλτε το βύσμα.

Για να έχετε πρόσβαση στον προθάλαμο:



1. αφαιρέστε το ταμπλό κάλυψης στο πρόσθιο πλευρό του πλυντηρίου με τη βοήθεια ενός κατσαβιδιού (βλέπε *εικόνα*).



2. Ξεβιδώστε το καπάκι στρέφοντάς το αριστερόστροφα (βλέπε *εικόνα*): είναι φυσικό να βγαίνει λίγο νερό.

3. καθαρίστε επιμελώς το εσωτερικό.
4. ξαναβιδώστε το καπάκι.
5. ξαναμοντάρετε το πάνελ όντας σίγουροι, πριν το σπρώξετε προς τη μηχανή, ότι έχετε εισάγει τα γαντζάκια στις αντίστοιχες εσοχές.

Έλεγχος του σωλήνα τροφοδοσίας του νερού

Ελέγχετε το σωλήνα τροφοδοσίας τουλάχιστον μια φορά ετησίως. Αν παρουσιάζει σκασίματα και σχισμές αντικαθίσταται: κατά τα πλυσίματα οι ισχυρές πιέσεις θα μπορούσαν να προκαλέσουν αναπάντεχα σπασίματα.

! Μη χρησιμοποιείτε ποτέ χρησιμοποιημένους σωλήνες.

Προφυλάξεις και συμβουλές

! Το πλυντήριο σχεδιάστηκε και κατασκευάστηκε σύμφωνα με τους διεθνείς κανόνες ασφαλείας. Αυτές οι προειδοποιήσεις παρέχονται για λόγους ασφαλείας και πρέπει να διαβάζονται προσεκτικά.

Γενική ασφάλεια

- Η συσκευή δεν πρέπει να χρησιμοποιείται από άτομα (συμπεριλαμβανομένων των παιδιών) με φυσικές, αισθητηριακές ή νοητικές ικανότητες και με εμπειρίες και γνώσεις ανεπαρκείς, εκτός κι αν η χρήση αυτή γίνεται υπό την επίβλεψη ή τις οδηγίες ενός ατόμου υπεύθυνου για την ασφάλειά τους. Τα παιδιά πρέπει να επιτηρούνται για να εξασφαλιστεί ότι δεν θα παίξουν με τη συσκευή.
- Η συσκευή αυτή σχεδιάστηκε αποκλειστικά για οικιακή χρήση.
- Μην αγγίζετε το μηχάνημα με γυμνά πόδια ή με τα χέρια ή τα πόδια βρεγμένα.
- Μην βγάζετε το βύσμα από την ηλεκτρική πρίζα τραβώντας το καλώδιο, αλλά να πιάνετε την πρίζα.
- Μην ανοίγετε το συρταράκι απορρυπαντικών ενώ το μηχάνημα είναι σε λειτουργία.
- Μην αγγίζετε το νερό αδειάσματος, αφού μπορεί να φτάσει σε υψηλές θερμοκρασίες.
- Μην ζορίζετε σε καμία περίπτωση την πόρτα: θα μπορούσε να χαλάσει ο μηχανισμός ασφαλείας που προστατεύει από τυχαία ανοίγματα.
- Σε περίπτωση βλάβης, σε καμία περίπτωση να μην επεμβαίνετε στους εσωτερικούς μηχανισμούς προσπαθώντας να την επισκευάσετε.
- Να ελέγχετε πάντα τα παιδιά να μην πλησιάζουν στο μηχάνημα σε λειτουργία.
- Κατά το πλύσιμο η πόρτα τείνει να θερμαίνεται.
- Αν πρέπει να μετατοπιστεί, συνεργαστείτε δύο ή τρία άτομα με τη μέγιστη προσοχή. Ποτέ μόνοι σας γιατί το μηχάνημα είναι πολύ βαρύ.
- Πριν εισάγετε τη μπουγάδα ελέγξτε αν ο κάδος είναι άδειος.

Διάθεση

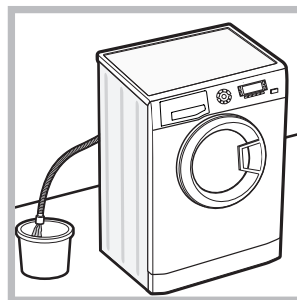
- Διάθεση του υλικού συσκευασίας: τηρείτε τους τοπικούς κανονισμούς, ώστε οι συσκευασίες να μπορούν να επαναχρησιμοποιηθούν.
- Η ευρωπαϊκή οδηγία 2002/96/EK για τα Απόβλητα Ηλεκτρικού και Ηλεκτρονικού Εξοπλισμού, απαιτεί ότι οι παλαιές οικιακές ηλεκτρικές συσκευές δεν πρέπει να αποβάλλονται μαζί με τα υπόλοιπα απόβλητα του δημοτικού δικτύου. Οι παλαιές συσκευές πρέπει να συλλεχθούν χωριστά προκειμένου να βελτιστοποιηθούν η αποκατάσταση και η ανακύκλωση των υλικών που περιέχουν και με σκοπό τη μείωση των βλαβερών επιπτώσεων στην ανθρώπινη υγεία και το περιβάλλον. Το σύμβολο με το διεγραμμένο "δοχείο αποβλήτων" στο προϊόν υπενθυμίζει σε σας την υποχρέωσή σας, πως όταν επιθυμείτε να πετάξετε τη συσκευή, πρέπει να συλλεχθεί χωριστά.

Οι καταναλωτές θα πρέπει να απευθύνονται στις τοπικές αρχές ή στα καταστήματα λιανικής για πληροφορίες που αφορούν τη σωστή διάθεση των παλαιών ηλεκτρικών συσκευών.

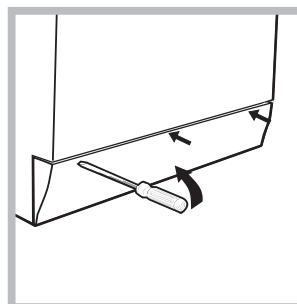
GR

Χειρονακτικό άνοιγμα της πόρτας

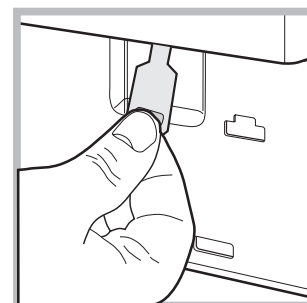
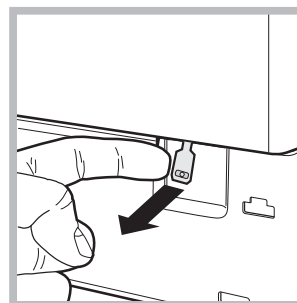
Στην περίπτωση αδυναμίας ανοίγματος της πόρτας εξ αιτίας απουσίας ηλεκτρικής ενέργειας ενώ θέλετε να απλώσετε την μπουγάδα, προχωρήστε ως ακολούθως:



1. βγάλτε το βύσμα από την ηλεκτρική πρίζα.
2. βεβαιωθείτε ότι η στάθμη του νερού στο εσωτερικό της μηχανής είναι χαμηλότερη σε σχέση με το άνοιγμα της πόρτας. Σε αντίθετη περίπτωση αφαιρέστε το σε περίσσεια νερό μέσω του σωλήνα αδειάσματος συλλέγοντάς το σε ένα κουβά όπως φαίνεται στην *εικόνα*.



3. αφαιρέστε το ταμπλό κάλυψης στο πρόσθιο πλευρό του πλυντηρίου με τη βοήθεια ενός κατσαβιδιού (*βλέπε εικόνα*).



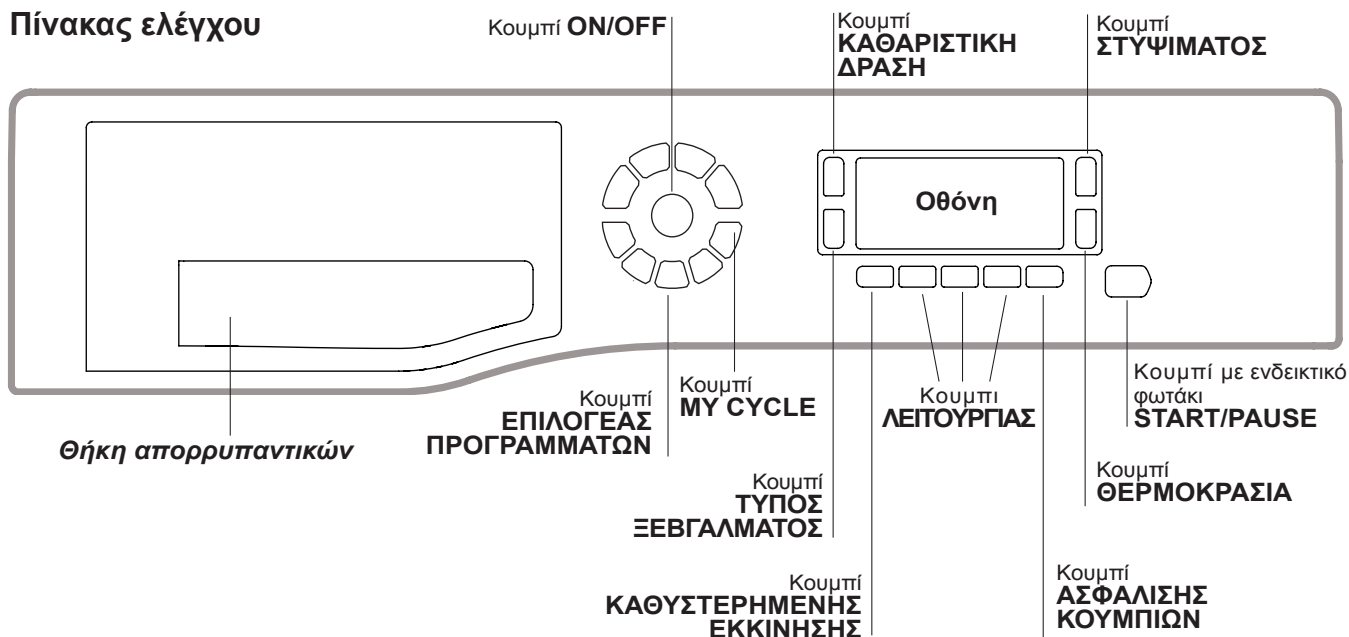
4. χρησιμοποιώντας τη γλωσσίστα που φαίνεται στην *εικόνα* τραβήξτε προς τα έξω μέχρι να ελευθερώσετε το πλαστικό από το στοπ. Τραβήξτε το ακολούθως προς τα κάτω και ταυτόχρονα ανοίξτε την πόρτα.

5. ξαναμοντάρετε το πάνελ όντας σίγουροι, πριν το σπρώξετε προς τη μηχανή, ότι έχετε εισάγει τα γαντζάκια στις αντίστοιχες εσοχές.

Περιγραφή του πλυντηρίου

GR

Πίνακας ελέγχου



Θήκη απορρυπαντικών: για την προσθήκη απορρυπαντικών και πρόσθετων (βλέπε «Απορρυπαντικά και μπουγάδα»).

Κουμπί ON/OFF ☹️: πιέστε για λίγο το κουμπί για να ανάψετε ή να σβήσετε το πλυντήριο. Το ενδεικτικό φωτάκι START/PAUSE πράσινου χρώματος που αναβοσβήνει αργά δείχνει ότι το πλυντήριο είναι αναμμένο. Για να σβήσετε το πλυντήριο κατά το πλύσιμο πρέπει να κρατάτε πατημένο το κουμπί πιο πολύ, περίπου 3 sec. Στιγμιαίο ή τυχαίο πάτημα δεν επιτρέπει το σβήσιμο του πλυντηρίου. Το σβήσιμο του πλυντηρίου κατά το πλύσιμο σε εξέλιξη ακυρώνει το ίδιο το πλύσιμο

Κουμπί ΕΠΙΛΟΓΕΑΣ ΠΡΟΓΡΑΜΜΑΤΩΝ: Για να θέσετε το επιθυμητό πρόγραμμα (βλέπε τον «Πίνακα των Προγραμμάτων»).

Κουμπί MY CYCLE: κρατήστε πατημένο το κουμπί για την αποθήκευση ενός κύκλου και των προσωπικών σας προτιμήσεων. Για την ανάκληση ενός κύκλου που αποθηκεύτηκε προηγουμένως πατήστε το κουμπί MY CYCLE.

Κουμπί ΛΕΙΤΟΥΡΓΙΑΣ: πιέστε το πλήκτρο για να επιλέξετε την επιθυμητή λειτουργία. Στην οθόνη θα φωτιστεί το σχετικό ενδεικτικό φωτάκι.

Κουμπί ΚΑΘΑΡΙΣΤΙΚΗ ΔΡΑΣΗ 🧼: πιέστε για να επιλέξετε την επιθυμητή ένταση πλυσίματος.

Κουμπί ΤΥΠΟΣ ΞΕΒΓΑΛΜΑΤΟΣ 🚰: πιέστε για να επιλέξετε τον επιθυμητό τύπο ξεβγάλματος.

Κουμπί ΣΤΥΨΙΜΑΤΟΣ ☺️: πιέστε για να μειώσετε ή να αποκλείσετε τελείως το στύψιμο – η τιμή φαίνεται στην οθόνη.

Κουμπί ΘΕΡΜΟΚΡΑΣΙΑ 🌡️: Πατήστε για να μειώσετε τη θερμοκρασία: η τιμή εμφανίζεται στην οθόνη.

Κουμπί ΑΣΦΑΛΙΣΗΣ ΚΟΥΜΠΙΩΝ 🛡️: Για την ενεργοποίηση του μπλοκ του πίνακα ελέγχου, κρατήστε πατημένο το κουμπί για περίπου 2 δευτερόλεπτα. Το αναμμένο 🛡️ σύμβολο δείχνει ότι ο πίνακας ελέγχου είναι ασφαλισμένος. Με τον τρόπο αυτόν παρεμποδίζονται τυχαίες τροποποιήσεις των προγραμμάτων, κυρίως αν στο σπίτι υπάρχουν παιδιά. Για την απενεργοποίηση του κλειδώματος του πίνακα ελέγχου, κρατήστε πατημένο το κουμπί για περίπου 2 δευτερόλεπτα.

Κουμπί ΚΑΟΥΣΤΕΡΗΜΕΝΗΣ ΕΚΚΙΝΗΣΗΣ ⏸️: Πατήστε για να θέσετε μια εκκίνηση με υστέρηση του προεπιλεγμένου προγράμματος. Η υστέρηση εμφανίζεται στην οθόνη.

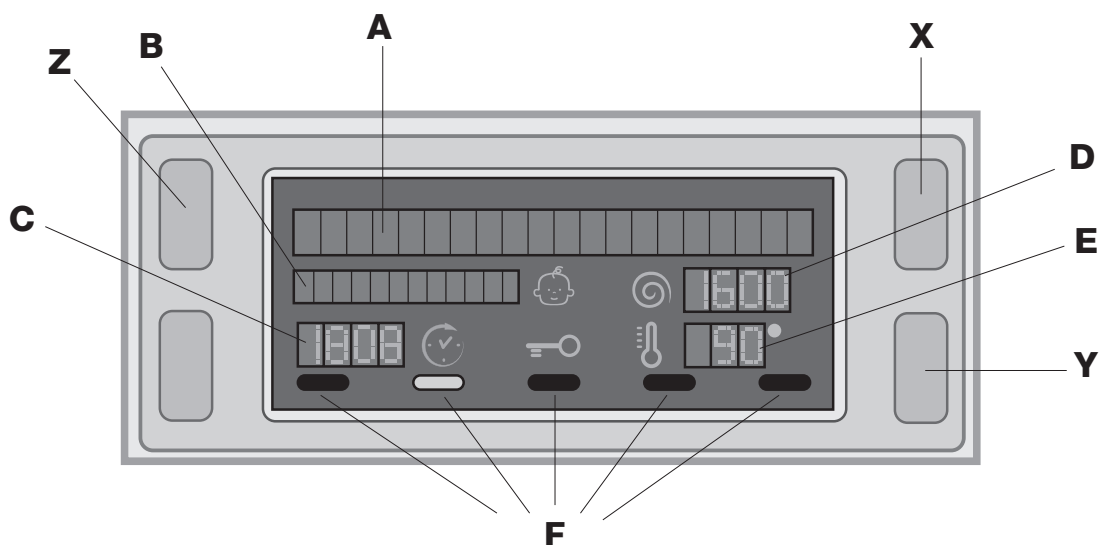
Κουμπί με ενδεικτικό φωτάκι START/PAUSE: όταν το πράσινο ενδεικτικό φωτάκι αναβοσβήνει αργά, πατήστε το κουμπί για την εκκίνηση πλυσίματος. Με την εκκίνηση του κύκλου το ενδεικτικό φωτάκι σταθεροποιείται. Για να θέσετε μια παύση στο πλύσιμο, πατήστε εκ νέου το κουμπί. Το ενδεικτικό φωτάκι θα αναβοσβήνει με πορτοκαλί χρώμα. Αν το σύμβολο ⏸️ δεν είναι φωτισμένο, μπορείτε να ανοίξετε την πόρτα. Για να ξεκινήσει πάλι το πλύσιμο από το σημείο διακοπής, πατήστε εκ νέου το κουμπί.

Τρόπος stand by

Το πλυντήριο αυτό, σύμφωνα με τις νέες διατάξεις για την εξοικονόμηση ενέργειας, διαθέτει ένα σύστημα αυτόματου σβησίματος (stand by) που τίθεται σε λειτουργία εντός περίπου 30 λεπτών στην περίπτωση μη χρήσης. Πιέστε στιγμιαία το κουμπί ON/OFF και περιμένετε να ενεργοποιηθεί εκ νέου η μηχανή.

Κατανάλωση σε off-mode: 0,5 W
Κατανάλωση σε Left-on: 0,5 W

Οθόνη



Η οθόνη είναι χρήσιμη για τον προγραμματισμό της μηχανής του πλυντηρίου και παρέχει πολλαπλές πληροφορίες.

Στις δύο επάνω γραμμές **A** και **B** απεικονίζονται το επιλεγμένο πρόγραμμα πλυσίματος, η φάση πλυσίματος σε εξέλιξη και όλες οι υποδείξεις οι σχετικές με την κατάσταση προώθησης του προγράμματος.

Στη γραμμή **C** απεικονίζεται ο υπολειπόμενος χρόνος για το τέλος του κύκλου πλυσίματος σε εξέλιξη και στην περίπτωση που τεθεί μια ΚΑΘΥΣΤΕΡΗΜΕΝΗ ΕΚΚΙΝΗΣΗ, ο υπολειπόμενος χρόνος για την εκκίνηση του επιλεγμένου προγράμματος.

Στη γραμμή **D** απεικονίζεται η μέγιστη τιμή της ταχύτητας στύψιματος που μπορεί να διενεργήσει το πλυντήριο με βάση το επιλεγμένο πρόγραμμα. Αν το πρόγραμμα δεν προβλέπει το στύψιμο, η γραμμή παραμένει σβηστή.

Στη γραμμή **E** απεικονίζεται η μέγιστη τιμή της θερμοκρασία που μπορεί να επιλεγεί με βάση το τεθέν πρόγραμμα. Αν το πρόγραμμα δεν προβλέπει τη ρύθμιση της θερμοκρασίας, η γραμμή παραμένει σβηστή.

Τα ενδεικτικά φωτάκια **F** σχετίζονται με τις λειτουργίες και ανάβουν όταν η επιλεγμένη λειτουργία είναι συμβατή με το τεθέν πρόγραμμα.

Σύμβολο ασφαλισμένη Πόρτας


Το αναμμένο σύμβολο δείχνει ότι η πόρτα είναι ασφαλισμένη για την παρεμπόδιση τυχαίων ανοιγμάτων. Για την αποφυγή ζημιών πρέπει να περιμένετε να σβήσει το σύμβολο πριν ανοίξετε την πόρτα.

ΣΗΜΕΙΩΣΗ: αν είναι ενεργή η λειτουργία ΚΑΘΥΣΤΕΡΗΜΕΝΗ ΕΚΚΙΝΗΣΗ η πόρτα δεν μπορεί να ανοίξει, για να την ανοίξετε θέστε τη μηχανή σε παύση πιέζοντας το κουμπί START/PAUSE.

! Στο πρώτο άναμμα θα ζητηθεί η επιλογή της γλώσσας και η οθόνη θα μπει αυτόματα στο μενού επιλογής γλώσσας. Για να επιλέξετε την επιθυμητή γλώσσα πιέστε τα κουμπιά **X** και **Y**, για να επιβεβαιώσετε την επιλογή πιέστε το κουμπί **Z**. Αν θέλετε να αλλάξετε γλώσσα, σβήστε τη συσκευή, πατήστε ταυτόχρονα τα κουμπιά **X**, **Y**, **Z** μέχρι να ακούσετε ένα ηχητικό σήμα, θα εμφανιστεί εκ νέου το μενού επιλογής γλώσσας.



Πως διενεργείται ένας κύκλος πλυσίματος


GR

- 1. ΑΝΑΨΤΕ ΤΟ ΠΛΥΝΤΗΡΙΟ.** Πατήστε το κουμπί , στην οθόνη θα εμφανιστεί η ένδειξη ΚΚΙΝΗΣΗ ΣΕ ΕΞΕΛΙΞΗ. Το ενδεικτικό φωτάκι START/PAUSE θα αναβοσβήνει αργά με πράσινο χρώμα.
- 2. ΦΟΡΤΩΣΗ ΡΟΥΧΩΝ.** Ανοίξτε την πόρτα. Φορτώστε τα ρούχα, προσέχοντας να μην ξεπεράσετε την ποσότητα φορτίου που υποδεικνύεται στον πίνακα προγραμμάτων της επόμενης σελίδας.
- 3. ΔΟΣΟΛΟΓΙΑ ΤΟΥ ΑΠΟΡΡΥΠΑΝΤΙΚΟΥ.** Βγάλτε το συρτάρι και χύστε το απορρυπαντικό στις αντίστοιχες λεκανίτσες όπως εξηγείται στο “Απορρυπαντικά και μπουγάδα”.
- 4. ΚΛΕΙΣΤΕ ΤΗΝ ΠΟΡΤΑ.**
- 5. ΕΠΙΛΕΞΤΕ ΤΟ ΠΡΟΓΡΑΜΜΑ.** Στρέψτε ένα από τα κουμπιά του ΕΠΙΛΟΓΕΑΣ ΠΡΟΓΡΑΜΜΑΤΩΝ για να επιλέξετε το επιθυμητό πρόγραμμα. Το όνομα του προγράμματος θα εμφανιστεί στην οθόνη και σε αυτό αντιστοιχίζεται μια θερμοκρασία και μια ταχύτητα στύψιματος που μπορούν να τροποποιηθούν. Στην οθόνη θα εμφανιστεί η διάρκεια του κύκλου.
- 6. ΕΞΑΤΟΜΙΚΕΥΣΗ ΤΟΥ ΚΥΚΛΟΥ ΠΛΥΣΙΜΑΤΟΣ.**


Ενεργήστε στα αντίστοιχα κουμπιά:

Τροποποιήστε τη θερμοκρασία ή/και το στύψιμο.


Η μηχανή επιλέγει αυτόματα τη μέγιστη θερμοκρασία και στύψιμο για το τεθέν πρόγραμμα και συνεπώς δεν μπορούν να αυξηθούν. Πατώντας το κουμπί  μειώνεται προοδευτικά η θερμοκρασία μέχρι το πλύσιμο σε κρύο νερό “OFF”. Πατώντας το κουμπί  μειώνεται προοδευτικά το στύψιμο μέχρι τον αποκλεισμό του “OFF”. Περαιτέρω πάτημα των κουμπιών επαναφέρει τις τιμές στις μέγιστες προβλεπόμενες.


! Εξαίρεση: επιλέγοντας το πρόγραμμα  (60°C) (1^η πάτημα του κουμπιού) η θερμοκρασία μπορεί να αυξηθεί μέχρι 90°.


Θέστε μια εκκίνηση με υστέρηση.

Για να θέσετε την εκκίνηση με υστέρηση του προεπιλεγμένου προγράμματος, πατήστε το σχετικό κουμπί μέχρι να επιτευχθεί ο χρόνος της επιθυμητής υστέρησης. Όταν η δυνατότητα αυτή είναι ενεργή, στην οθόνη φωτίζεται το σύμβολο . Για να απαλείψετε την εκκίνηση με υστέρηση πατήστε το κουμπί μέχρις ότου εμφανιστεί στην οθόνη η ένδειξη OFF.

Θέστε την επιθυμητή ένταση πλυσίματος.


Η δυνατότητα  επιτρέπει τη βελτιστοποίηση του πλυσίματος με βάση τον βαθμό λερώματος των υφασμάτων και την επιθυμητή ένταση πλυσίματος. Επιλέξτε το πρόγραμμα πλυσίματος, ο κύκλος τίθεται αυτόματα στο επίπεδο “ΚΑΝΟΝΙΚΟ”, βελτιστοποιημένο για ρούχα μετρίως λερωμένα, (αυτή η ρύθμιση δεν ενδείκνυται για τον κύκλο “Μάλλινα”, που τίθεται αυτόματα στο επίπεδο “ΑΠΑΛΟ”).

Για ρούχα πολύ λερωμένα πατήστε το κουμπί  μέχρι την επίτευξη του επιπέδου “ΕΝΤΑΤΙΚΟ”. Το επίπεδο αυτό εξασφαλίζει ένα πλύσιμο υψηλών επιδόσεων χάρη στη χρησιμοποίηση μεγαλύτερης ποσότητας νερού στην αρχική φάση του κύκλου και στη μεγαλύτερη μηχανική κίνηση, και είναι χρήσιμο για την απομάκρυνση των πλέον ανθεκτικών λεκέδων. Μπορεί να χρησιμοποιείται με ή χωρίς λευκαντικό; Αν επιθυμείτε να κάνετε λεύκανση εισάγετε την πρόσθετη λεκανίτσα 4, που σας παρέχεται, στη λεκανίτσα 1. Στη δοσολογία του λευκαντικού μην ξεπεράσετε τη στάθμη «max» που υποδεικνύεται στον κεντρικό πείρο (βλέπε εικόνα της σελ. 22).

Για ρούχα λίγο λερωμένα ή για μια πιο ευαίσθητη μεταχείριση των υφασμάτων, πατήστε το κουμπί  μέχρι την επίτευξη του επιπέδου “ΑΠΑΛΟ”. Ο κύκλος

θα μειώσει τη μηχανική κίνηση εξασφαλίζοντας τέλεια αποτελέσματα πλυσίματος για ευαίσθητα υφάσματα.

Θέστε τον τύπο ξεβγάλματος.

Η δυνατότητα  επιτρέπει την επιλογή του επιθυμητού τύπου ξεβγάλματος για τη μέγιστη φροντίδα των ευαίσθητων επιδερμίδων. Με το πρώτο πάτημα του κουμπιού τίθεται το επίπεδο “ΕΝΤΟΝΟ ΞΕΒΓΑΛΜΑ” που επιτρέπει την επιλογή ενός πρόσθετου ξεβγάλματος με εκείνα τα σπάνια του κύκλου, για την απομάκρυνση όλων των ιχνών του απορρυπαντικού. Στο δεύτερο πάτημα του κουμπιού τίθεται το επίπεδο “ΕΥΑΙΣΘΗΤΗ ΕΠΙΔΕΡΜΙΔΑ” που επιτρέπει την επιλογή δύο πρόσθετων ξεβγαλμάτων με εκείνα τα σπάνια του κύκλου και συνιστάται για τις πιο ευαίσθητες επιδερμίδες. Στο τρίτο πάτημα του κουμπιού τίθεται το επίπεδο “ΥΠΟ-ΑΛΛΕΡΓΙΚΟ” που επιτρέπει την επιλογή τριών πρόσθετων ξεβγαλμάτων με εκείνα τα σπάνια του κύκλου, για την απομάκρυνση των κύριων αλλεργιογόνων όπως γύρη, άκαρι, τρίχες γάτας και σκύλου. Πατήστε πάλι το κουμπί για να επιστρέψετε στον τύπο ξεβγάλματος “ΚΑΝΟΝΙΚΟ ΞΕΒΓΑΛΜΑ”. Αν δεν είναι δυνατό να θέσετε ή να τροποποιήσετε την υπάρχουσα ρύθμιση, στην οθόνη θα εμφανιστεί η ένδειξη “ΑΝΕΝΕΡΓΗ”.




Τροποποίηση των χαρακτηριστικών του κύκλου.


- Πατήστε το κουμπί για την ενεργοποίηση της λειτουργίας. Το ενδεικτικό φωτάκι του αντίστοιχου κουμπιού θα ανάψει.
- Πατήστε εκ νέου το κουμπί για την απενεργοποίηση της λειτουργίας. Το ενδεικτικό φωτάκι θα σβήσει.

! Αν η επιλεγμένη λειτουργία δεν είναι συμβατή με το τεθέν πρόγραμμα το ενδεικτικό φωτάκι θα αναβοσβήνει και η λειτουργία δεν θα ενεργοποιηθεί.

! Αν η επιλεγμένη λειτουργία δεν είναι συμβατή με μια άλλη που επελέγη προηγουμένως, το σχετικό φωτάκι της πρώτης επιλεγμένης λειτουργίας θα αναβοσβήνει και θα ενεργοποιηθεί μόνο η δεύτερη, το ενδεικτικό φωτάκι της ενεργοποιηθείσας λειτουργίας θα φωτιστεί.

! Οι λειτουργίες μπορεί να τροποποιούν το προτεινόμενο φορτίο ή/και τη διάρκεια του κύκλου.

- 7. ΕΚΚΙΝΗΣΗ ΤΟΥ ΠΡΟΓΡΑΜΜΑΤΟΣ.** Πατήστε το κουμπί START/PAUSE. Το σχετικό ενδεικτικό φωτάκι θα φωτιστεί πράσινο σταθερό και η πόρτα θα μπλοκάρει (σύμβολο ΑΣΦΑΛΙΣΜΕΝΗΣ ΠΟΡΤΑΣ  αναμμένο). Κατά το πλύσιμο, στην οθόνη θα εμφανιστεί το όνομα της σε εξέλιξη φάσης. Για να αλλάξετε ένα πρόγραμμα ενώ είναι σε εξέλιξη ένας κύκλος, θέστε το πλυντήριο σε παύση πιέζοντας το κουμπί START/PAUSE (το ενδεικτικό φωτάκι START/PAUSE θα αναβοσβήνει αργά με πορτοκαλί χρώμα). Κατόπιν επιλέξτε τον επιθυμητό κύκλο και πατήστε εκ νέου το κουμπί START/PAUSE. Για να ανοίξετε την πόρτα όσο ένας κύκλος είναι σε εξέλιξη πατήστε το κουμπί START/PAUSE. Αν το σύμβολο ΑΣΦΑΛΙΣΜΕΝΗΣ ΠΟΡΤΑΣ  είναι σβηστό μπορείτε να ανοίξετε την πόρτα. Πατήστε εκ νέου το κουμπί START/PAUSE για να ξεκινήσει πάλι το πρόγραμμα από το σημείο διακοπής.
- 8. ΤΕΛΟΣ ΤΟΥ ΠΡΟΓΡΑΜΜΑΤΟΣ.** Επισημαίνεται με την ένδειξη “ΤΕΛΟΣ ΚΥΚΛΟΥ” στην οθόνη, όταν το σύμβολο ΑΣΦΑΛΙΣΜΕΝΗΣ ΠΟΡΤΑΣ  σβήσει μπορείτε να ανοίξετε την πόρτα. Ανοίξτε την πόρτα, αδειάστε τα ρούχα και σβήστε τη μηχανή.

! Αν επιθυμείτε να ακυρώσετε έναν ήδη τεθέντα κύκλο, πατήστε επί μακρόν το κουμπί . Ο κύκλος θα διακοπεί και η μηχανή θα σβήσει.

Προγράμματα και λειτουργίες

GR

Πίνακας των Προγραμμάτων

Προγράμματα	Περιγραφή του Προγράμματος	Μέγιστη θερμοκρασία (°C)	Μέγιστη ταχύτητα (στροφές ανά λεπτό)	Απορρυπαντικά				Μέγιστο φορτίο (Kg)	Υπολειπόμενη υγρασία %	Κατανάλωση ενέργειας kWh	Συνολικό νερό lt	Διάρκεια κύκλου
				Πρόπλυση	Πλύσιμο	Λευκά-υπικά	Μαλακτικό					
	ΔΥΣΚΟΛΟΙ ΛΕΚΕΔΕΣ	40°	1400	●	●	-	●	6	-	-	-	190'
	ΚΑΝΟΝΙΚΟ ΒΑΜΒΑΚΕΡΑ 60° (1° πάτημα του κουμπιού) (1): Λευκά και χρωματιστά ανθεκτικά, πολύ λερωμένα.	60° (Max. 90°)	1400	● (3)	●	●	●	10	53	1,09	85	210'
	ΚΑΝΟΝΙΚΟ ΒΑΜΒΑΚΕΡΑ 40° (2° πάτημα του κουμπιού) (2): Χρωματιστά ανθεκτικά, λίγο λερωμένα.	40°	1400	-	●	●	●	10	53	1,09	92	185'
	ΚΑΝΟΝΙΚΟ ΒΑΜΒΑΚΕΡΑ 20° (3° πάτημα του κουμπιού): Χρωματιστά ανθεκτικά, λίγο λερωμένα.	20°	1400	-	●	●	●	10	-	-	-	175'
	ΑΝΘΕΚΤ. ΣΥΝΘΕΤΙΚΑ (1° πάτημα του κουμπιού): Χρωματιστά ανθεκτικά, πολύ λερωμένα.	60°	800	●	●	●	●	5,5	48	0,99	57	120'
	ΑΝΘΕΚΤ. ΣΥΝΘΕΤΙΚΑ (4) (1° πάτημα του κουμπιού): Χρωματιστά ανθεκτικά, λίγο λερωμένα.	40°	800	●	●	●	●	5,5	48	0,63	55	100'
	ΕΥΑΙΣΘ. ΣΥΝΘΕΤΙΚΑ (2° πάτημα του κουμπιού): ευαίσθητα χρώματα λίγο λερωμένα	40°	800	●	●	●	●	5,5	-	-	-	80'
	ΓΡΗΓΟΡΗ ΠΛΥΣΗ 60° (1° πάτημα του κουμπιού): Για το γρήγορο φρεσκάρισμα ρούχων ελαφρά λερωμένων (δεν ενδείκνυται για μάλλινα, μεταξωτά και ρούχα που πλένονται στο χέρι).	60°	1400	-	●	-	●	4	53	0,54	57	60'
	ΓΡΗΓΟΡΗ ΠΛΥΣΗ 30° (2° πάτημα του κουμπιού): Για το γρήγορο φρεσκάρισμα ρούχων ελαφρά λερωμένων (δεν ενδείκνυται για μάλλινα, μεταξωτά και ρούχα που πλένονται στο χέρι).	30°	800	-	●	-	●	4	71	0,21	41	30'
M	MY CYCLE (ΜΝΗΜΗ): Επιτρέπει την αποθήκευση οποιουδήποτε τύπου πλυσίματος.											
	ΣΕΝΤΟΝΙΑ+ΠΕΤΣΕΤΕΣ: Για ασπρόρουχα κρεβατιού και μπάνιου.	60°	1400	●	●	-	●	10	-	-	-	155'
	ΦΡΟΝΤΙΔΑ ΜΑΛΛΙΝΑ (ΜΑΛΛΙΝΑ): Για μάλλινα, cachemire, κλπ.	40°	800	-	●	-	●	2,5	-	-	-	100'
	ΕΥΑΙΣΘΗΤΑ	30°	0	-	●	-	●	1	-	-	-	80'
	ΣΤΥΨΙΜΟ (1° πάτημα του κουμπιού).	-	1400	-	-	-	-	10	-	-	-	16'
	ΞΕΒΓΑΛΜΑ (2° πάτημα του κουμπιού).	-	1400	-	-	-	●	10	-	-	-	49'
	ΑΠΟΧΕΤΕΥΣΗ ΝΕΡΟΥ (3° πάτημα του κουμπιού).	-	0	-	-	-	-	10	-	-	-	2'

Η διάρκεια του κύκλου που φαίνεται στην οθόνη ή στο εγχειρίδιο αποτελεί μια εκτίμηση υπολογισμένη με βάση τις σπάντα συνθήκες. Ο πραγματικός χρόνος μπορεί να ποικίλει με βάση πολυάριθμους παράγοντες όπως θερμοκρασία και πίεση του εισερχόμενου νερού, θερμοκρασία περιβάλλοντος, ποσότητα απορρυπαντικού, ποσότητα και τύπος φορτίου, ισοστάθμιση του φορτίου, πρόσθετες επιλεγμένες δυνατότητες.

- 1) Πρόγραμμα ελέγχου σύμφωνα με την προδιαγραφή 1061/2010: θέστε το πρόγραμμα 60°C (1° πάτημα του κουμπιού). Ο κύκλος αυτός είναι κατάλληλος για τον καθαρισμό φορτίου βαμβακερών με συνηθισμένη βρωμιά και είναι ο πλέον αποτελεσματικός σε όρους κατανάλωσης ενέργειας και νερού, προς χρήση σε ρούχα πλενόμενα στους 60 °C. Η πραγματική θερμοκρασία πλυσίματος μπορεί να διαφέρει από την υποδεικνυόμενη.
- 2) Πρόγραμμα ελέγχου σύμφωνα με την προδιαγραφή 1061/2010: θέστε το πρόγραμμα 40°C (2° πάτημα του κουμπιού). Ο κύκλος αυτός είναι κατάλληλος για τον καθαρισμό φορτίου βαμβακερών με συνηθισμένη βρωμιά και είναι ο πλέον αποτελεσματικός σε όρους κατανάλωσης ενέργειας και νερού, προς χρήση σε ρούχα πλενόμενα στους 40 °C. Η πραγματική θερμοκρασία πλυσίματος μπορεί να διαφέρει από την υποδεικνυόμενη.
- 3) Στη θερμοκρασία των 60 °C η λειτουργία "Πρόπλυση" δεν μπορεί να είναι ενεργή.

Για όλα τα Test Institutes:

2) Πρόγραμμα βαμβακερών μακρύ: θέστε το πρόγραμμα 40°C (2° πάτημα του κουμπιού).

4) Πρόγραμμα ΣΥΝΘΕΤΙΚΑ μακρύ: θέστε τη θερμοκρασία στους 60°C (1° πάτημα του κουμπιού). Θερμοκρασία στους 40°C (πατήστε το κουμπί ΘΕΡΜΟΚΡΑΣΙΑ).

Λειτουργίες πλυσίματος

Πρόπλυση

Επιλέγοντας τη λειτουργία αυτή διενεργείται η πρόπλυση, χρήσιμη για την απομάκρυνση δύσκολων λεκέδων.

ΠΑΡΑΤΗΡΗΣΗ: Προσθέστε το απορρυπαντικό στο αντίστοιχο διαμέρισμα.

! Δεν είναι διαθέσιμη στα προγράμματα (60°), (40°), .

Εύκολο Σιδέρωμα

Επιλέγοντας τη λειτουργία αυτή, το πλύσιμο και το στύψιμο θα τροποποιηθούν κατάλληλα για τη μείωση σχηματισμού τσαλακωμάτων.

Στο τέλος του κύκλου πλύσης θα γίνουν αργές περιστροφές του κάδου. Το ενδεικτικό φωτάκι της λειτουργίας ΕΥΚΟΛΟ ΣΙΔΕΡΩΜΑ θα αναβοσβήνουν και η ένδειξη «ΤΕΛΟΣ ΚΥΚΛΟΥ» θα εμφανίζεται στη οθόνη. Για το πέρας του κύκλου πρέπει να πατήσετε το κουμπί START/PAUSE ή το κουμπί ΕΥΚΟΛΟ ΣΙΔΕΡΩΜΑ.

! Δεν ενεργοποιείται στα προγράμματα , "ΓΡΗΓΟΡΗ ΠΛΥΣΗ 30'", , .

Eco wash

Η λειτουργία Eco Wash συμβάλλει στην εξοικονόμηση ενέργειας μη θερμαίνοντας το νερό που χρησιμοποιείται στο πλύσιμο της μπουγάδας – ένα πλεονέκτημα τόσο για το περιβάλλον όσο και για τον λογαριασμό του ηλεκτρικού. Πράγματι, η ενισχυμένη δράση και η βελτιστοποιημένη κατανάλωση εγγυώνται βέλτιστα αποτελέσματα στην ίδια μέση διάρκεια ενός σπάντα πλυσίματος, συστήνεται η χρήση ενός υγρού απορρυπαντικού.

! Δεν είναι ενεργό στα προγράμματα , , , , .

Απορρυπαντικά και μπουγάδα

GR

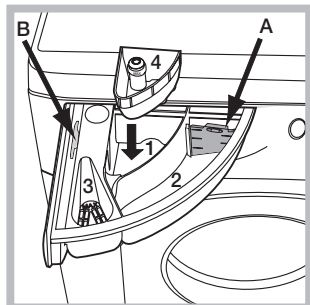
Θήκη απορρυπαντικών

Το καλό αποτέλεσμα του πλυσίματος εξαρτάται επίσης και από τη σωστή δοσολογία του απορρυπαντικού: υπερβάλλοντας δεν πλένουμε αποτελεσματικότερα και συντελούμε στη δημιουργία κρούστας στα εσωτερικά μέρη του πλυντηρίου και στη μόλυνση του περιβάλλοντος.

! Να χρησιμοποιείτε απορρυπαντικά σε σκόνη για ρούχα λευκά βαμβακερά και για την πρόπλυση και για πλυσίματα σε θερμοκρασία μεγαλύτερη των 60°C.

! Ακολουθήστε τις υποδείξεις που αναγράφονται στη συσκευασία του απορρυπαντικού.

! Μη χρησιμοποιείτε απορρυπαντικά για πλύσιμο στο χέρι, διότι παράγουν πολύ αφρό.



Βγάλτε τη θήκη απορρυπαντικών και εισάγετε το απορρυπαντικό ή το πρόσθετο ως εξής.

θήκη 1: Απορρυπαντικό για πρόπλυση (σε σκόνη)

Πριν χύσετε το απορρυπαντικό ελέγξτε αν έχει εισαχθεί η πρόσθετη λεκανίτσα 4.

θήκη 2: Απορρυπαντικό για πλύσιμο (σε σκόνη ή υγρό)

Σε περίπτωση χρήσης υγρού απορρυπαντικού, συστήνεται να χρησιμοποιείτε το δοσομετρητή **A** που σας παρέχεται για σωστή δοσολογία.

Για τη χρησιμοποίηση του απορρυπαντικού σε σκόνη αποθέστε το δοσομετρητή στην κοιλότητα **B**.

θήκη 3: Πρόσθετα (μαλακτικό, κλπ.)

θήκη πρόσθετη 4: Λευκαντικό

Προετοιμασία της μπουγάδας

- Χωρίστε τη μπουγάδα ανάλογα:
 - με το είδος του υφάσματος/ το σύμβολο της ετικέτας.
 - τα χρώματα: χωρίστε τα χρωματιστά ρούχα από τα λευκά.
 - Εκκενώστε τις τσέπες και ελέγξτε τα κουμπιά.
 - Μην ξεπερνάτε τις υποδεικνυόμενες τιμές στον "Πίνακα Προγραμμάτων" σε σχέση με το βάρος της στεγνής μπουγάδας.

Πόσο ζυγίζει η μπουγάδα;

- 1 σεντόνι 400-500 gr.
- 1 μαξιλαροθήκη 150-200 gr.
- 1 τραπεζομάντιλο 400-500 gr.
- 1 μπουρνούζι 900-1.200 gr.
- 1 πετσέτα 150-250 gr.

Ειδικά προγράμματα

ΔΥΣΚΟΛΟΙ ΛΕΚΕΔΕΣ: το πρόγραμμα είναι κατάλληλο για το πλύσιμο ρούχων πολύ λερωμένων, με χρώματα ανθεκτικά. Το πρόγραμμα εγγυάται μια κλάση πλυσίματος

ανώτερη της κλάσης σάνταρ (κλάση A). Μην εκτελείτε το πρόγραμμα αναμειγνύοντας ρούχα διαφορετικού χρώματος. Συνιστάται η χρήση απορρυπαντικού σε σκόνη. Για λεκέδες δύσκολους συνιστάται η προκαταρκτική περιποίηση με ειδικά πρόσθετα.

ΚΑΝΟΝΙΚΟ ΒΑΜΒΑΚΕΡΑ 20°C : ιδανικό για φορτία λερωμένων βαμβακερών. Οι καλές επιδόσεις και σε χαμηλή θερμοκρασία, συγκρίσιμες με ένα πλύσιμο στους 40°, εξασφαλίζονται από μια μηχανική δράση που λειτουργεί με μεταβολή ταχύτητας σε επαναλαμβανόμενες και κοντινές αυξομειώσεις.

ΣΕΝΤΟΝΙΑ+ΠΕΤΣΕΤΕΣ: για να πλύνετε τα ασπρόρουχα μπάνιου και ύπνου σε ένα μοναδικό κύκλο, χρησιμοποιήστε το πρόγραμμα που βελτιστοποιεί τη χρήση του μαλακτικού και επιτρέπει εξοικονόμηση χρόνου και ενέργειας. Συνιστάται η χρήση απορρυπαντικού σε σκόνη.

ΜΑΛΛΙΝΑ: Ο κύκλος πλυσίματος "Μάλλινα" αυτού του πλυντηρίου Hotpoint-Ariston δοκιμάστηκε και εγκρίθηκε από την Woolmark Company για το πλύσιμο ρούχων μάλλινων που ταξινομούνται ως "πλενόμενα στο χέρι", αρκεί το πλύσιμο να εκτελείται σύμφωνα με τις οδηγίες της ετικέτας του ενδύματος και τις υποδείξεις του κατασκευαστή της οικιακής ηλεκτρικής συσκευής. Η Hotpoint-Ariston είναι η πρώτη μάρκα που απέκτησε από την Woolmark Company την πιστοποίηση Woolmark Apparel Care - Platinum για τις επιδόσεις της στο πλύσιμο και τη χαμηλή κατανάλωση νερού και ενέργειας. (M1135)



ΕΥΑΙΣΘΗΤΑ: χρησιμοποιήστε το πρόγραμμα για το πλύσιμο ρούχων πολύ ευαίσθητων που φέρουν πρόσθετα όπως στρας ή παγέτες.

Για το πλύσιμο **μεταξωτών** ρούχων και **κουρτινών**, επιλέξτε τον κύκλο και θέστε το επίπεδο "ΑΠΑΛΟ" της δυνατότητας .

Συνιστάται να γυρίζετε από την ανάποδη τα ρούχα πριν το πλύσιμο και να βάζετε τα μικρά ρούχα στο ειδικό σακίδιο για το πλύσιμο των ευαίσθητων ρούχων. Για καλύτερα αποτελέσματα συνιστάται η χρήση υγρού απορρυπαντικού για ευαίσθητα ρούχα.

Σύστημα ισοστάθμισης του φορτίου

Πριν από κάθε στύψιμο, για να αποφύγετε δονήσεις υπερβολικές και για να κατανείμμε ομοιόμορφα το φορτίο, ο κάδος διενεργεί περιστροφές σε μια ταχύτητα ελαφρά ανώτερη εκείνης του πλυσίματος. Αν στο τέλος των διαδοχικών προσπαθειών το φορτίο δεν έχει ακόμη εξισορροπηθεί σωστά η μηχανή διενεργεί το στύψιμο σε μια ταχύτητα χαμηλότερη της προβλεπόμενης. Παρουσία υπερβολικής αστάθειας, το πλυντήριο διενεργεί την κατανομή αντί του στυψίματος. Για να ευνοηθεί καλύτερη κατανομή του φορτίου και της σωστής εξισορρόπησης συνιστάται η ανάμιξη ρούχων μεγάλων και μικρών διαστάσεων.

Ανωμαλίες και λύσεις

Μπορεί να συμβεί το πλυντήριο να μη λειτουργεί. Πριν τηλεφωνήσετε στην Υποστήριξη (βλέπε “Υποστήριξη”), ελέγξτε αν δεν πρόκειται για πρόβλημα που επιλύεται εύκολα με τη βοήθεια του ακόλουθου καταλόγου.

Ανωμαλίες:

Το πλυντήριο δεν ανάβει.

Ο κύκλος πλυσίματος δεν ξεκινάει.

Το πλυντήριο δεν φορτώνει νερό (Στην οθόνη θα εμφανιστεί η ένδειξη “ΑΠΟΥΣΙΑ ΝΕΡΟΥ, ΑΝΟΙΞΤΕ ΤΗΝ ΠΑΡΟΧΗ”).

Το πλυντήριο φορτώνει και αδειάζει νερό συνεχώς.

Το πλυντήριο δεν φορτώνει ή δεν στύβει.

Το πλυντήριο δονείται πολύ κατά το στύψιμο.

Το πλυντήριο χάνει νερό.

Η μηχανή είναι ασφαλισμένη, η οθόνη αναβοσβήνει και επισημαίνει έναν κωδικό ανωμαλίας (π.χ.: F-01, F-..).

Σχηματίζεται πολύς αφρός.

Δυνατά αίτια / Λύση:

- Το βύσμα δεν έχει εισαχθεί στην ηλεκτρική πρίζα ή τουλάχιστον όχι αρκετά για να κάνει επαφή.
- Στο σπίτι δεν υπάρχει ρεύμα.
- Η πόρτα δεν κλείνει καλά.
- Το κουμπί ON/OFF δεν πατήθηκε.
- Το κουμπί START/PAUSE δεν πατήθηκε.
- Η βρύση του νερού δεν είναι ανοιχτή.
- Τέθηκε μια καθυστέρηση στον χρόνο εκκίνησης (βλέπε «Πως διενεργείται ένας κύκλος πλυσίματος»).
- Ο σωλήνας τροφοδοσίας του νερού δεν είναι συνδεδεμένος στον κρουνό.
- Ο σωλήνας είναι διπλωμένος.
- Η βρύση του νερού δεν είναι ανοιχτή.
- Στο σπίτι λείπει το νερό.
- Δεν υπάρχει αρκετή πίεση.
- Το κουμπί START/PAUSE δεν πατήθηκε.

- Ο σωλήνας αδειάσματος δεν έχει εγκατασταθεί μεταξύ 65 και 100 cm από το έδαφος (βλέπε «Εγκατάσταση»).
- Το άκρο του σωλήνα αδειάσματος είναι βυθισμένο στο νερό (βλέπε «Εγκατάσταση»).
- Το επιτοίχιο άδειασμα δεν έχει απαέρωση.

Αν μετά από αυτούς τους ελέγχους το πρόβλημα δεν λύνεται, κλείστε τη βρύση του νερού, σβήστε το πλυντήριο και καλέστε την υποστήριξη. Αν η κατοικία βρίσκεται στους τελευταίους ορόφους ενός κτιρίου, μπορεί να διαπιστωθούν φαινόμενα σιφωνισμού, οπότε το πλυντήριο φορτώνει και αδειάζει νερό συνεχώς. Για την αντιμετώπιση του προβλήματος διατίθενται στο εμπόριο κατάλληλες βαλβίδες αντι-σιφωνισμού.

- Το πρόγραμμα δεν προβλέπει το άδειασμα: με ορισμένα προγράμματα πρέπει να το εκκινήσετε χειρονακτικά (βλέπε “Προγράμματα και λειτουργίες”).
- Είναι ενεργή η λειτουργία ΕΥΚΟΛΟ ΣΙΔΕΡΩΜΑ: για την ολοκλήρωση του προγράμματος πιάστε το κουμπί START/PAUSE («Προγράμματα και λειτουργίες»).
- Ο σωλήνας αδειάσματος είναι διπλωμένος (βλέπε «Εγκατάσταση»).
- Ο αγωγός εκκένωσης είναι βουλωμένος.

- Ο κάδος, τη στιγμή της εγκατάστασης, δεν ξεμπλόκαρε σωστά (βλέπε «Εγκατάσταση»).
- Το πλυντήριο δεν είναι οριζοντιωμένο (βλέπε «Εγκατάσταση»).
- Το πλυντήριο είναι πολύ στενά μεταξύ τοίχου και επίπλων (βλέπε «Εγκατάσταση»).

- Ο σωλήνας τροφοδοσίας του νερού δεν είναι καλά βιδωμένος (βλέπε «Εγκατάσταση»).
- Η θήκη των απορρυπαντικών είναι βουλωμένη (για να την καθαρίσετε βλέπε «Συντήρηση και φροντίδα»).
- Ο σωλήνας αδειάσματος δεν έχει στερεωθεί καλά (βλέπε «Εγκατάσταση»).

- Σβήστε τη μηχανή και βγάλτε το βύσμα από την πρίζα, περιμένετε περίπου 1 λεπτό μετά ξανανάψτε τη.

Αν η ανωμαλία επιμένει, καλέστε την Υποστήριξη.

- Το απορρυπαντικό δεν είναι ειδικό για πλυντήριο (πρέπει να υπάρχει η ένδειξη “για πλυντήριο”, “για πλύσιμο στο χέρι και στο πλυντήριο”, ή παρόμοια).
- Η δοσολογία υπήρξε υπερβολική.

Υποστήριξη

GR

Πριν επικοινωνήσετε με την Υποστήριξη:

- Ελέγξτε αν η ανωμαλία μπορεί να την αντιμετωπίσετε μόνοι σας (βλέπε “Ανωμαλίες και λύσεις”);
- Επανεκκινήστε το πρόγραμμα για να ελέγξετε αν το πρόβλημα αντιμετωπίστηκε;
- Σε αρνητική περίπτωση, επικοινωνήστε με την εξουσιοδοτημένη Τεχνική Υποστήριξη στον τηλεφωνικό αριθμό που υπάρχει στο πιστοποιητικό εγγύησης.

! Μην καταφεύγετε ποτέ σε μη εξουσιοδοτημένους τεχνικούς.

Γνωστοποιήστε:

- το είδος της ανωμαλίας;
- το μοντέλο του μηχανήματος (Mod.);
- τον αριθμό σειράς (S/N).

Οι πληροφορίες αυτές βρίσκονται στην ταμπελίτσα που υπάρχει στο πίσω μέρος του πλυντηρίου και στο πρόσθιο μέρος ανοίγοντας την πόρτα.



Italiano

WMD 1044

Sommario

Installazione, 26-27

Disimballo e livellamento
Collegamenti idraulici ed elettrici
Primo ciclo di lavaggio
Dati tecnici

Manutenzione e cura, 28

Escludere acqua e corrente elettrica
Pulire la lavabiancheria
Pulire il cassetto dei detersivi
Curare oblò e cestello
Pulire la pompa
Controllare il tubo di alimentazione dell'acqua

Precauzioni e consigli, 29

Sicurezza generale
Smaltimento
Apertura manuale della porta oblò

Descrizione della lavabiancheria, 30-31

Pannello di controllo
Display

Come effettuare un ciclo di lavaggio, 32

Programmi e funzioni, 33

Tabella dei programmi
Funzioni di lavaggio

Detersivi e biancheria, 34

Cassetto dei detersivi
Preparare la biancheria
Programmi particolari
Sistema bilanciamento del carico

Anomalie e rimedi, 35

Assistenza, 36

Assistenza Attiva 7 giorni su 7

Installazione

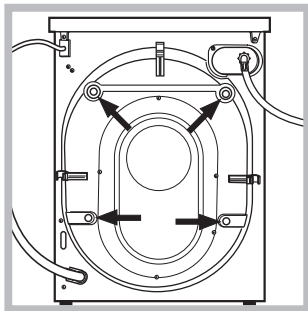
! È importante conservare questo libretto per poterlo consultare in ogni momento. In caso di vendita, di cessione o di trasloco, assicurarsi che resti insieme alla lavabiancheria per informare il nuovo proprietario sul funzionamento e sui relativi avvertimenti.

! Leggere attentamente le istruzioni: ci sono importanti informazioni sull'installazione, sull'uso e sulla sicurezza.

Disimballo e livellamento

Disimballo

1. Disimballare la lavabiancheria.
2. Controllare che la lavabiancheria non abbia subito danni nel trasporto. Se fosse danneggiata non collegarla e contattare il rivenditore.



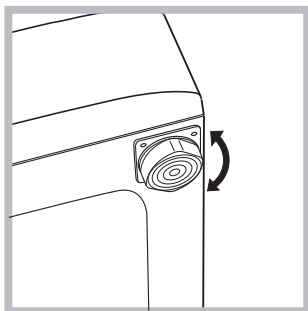
3. Rimuovere le 4 viti di protezione per il trasporto e il gommino con il relativo distanziale, posti nella parte posteriore (vedi figura).

4. Chiudere i fori con i tappi di plastica in dotazione.
5. Conservare tutti i pezzi: qualora la lavabiancheria debba essere trasportata, dovranno essere rimontati.

! Gli imballaggi non sono giocattoli per bambini.

Livellamento

1. Installare la lavabiancheria su un pavimento piano e rigido, senza appoggiarla a muri, mobili o altro.

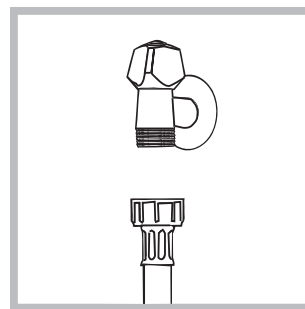


2. Se il pavimento non fosse perfettamente orizzontale, compensare le irregolarità svitando o avvitando i piedini anteriori (vedi figura); l'angolo di inclinazione, misurato sul piano di lavoro, non deve superare i 2°.

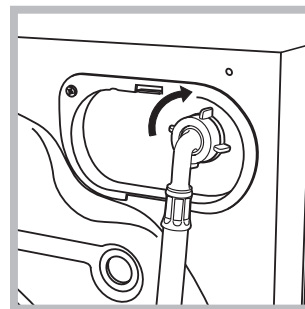
Un accurato livellamento dà stabilità alla macchina ed evita vibrazioni, rumori e spostamenti durante il funzionamento. In caso di moquette o di un tappeto, regolare i piedini in modo da conservare sotto la lavabiancheria uno spazio sufficiente per la ventilazione.

Collegamenti idraulici ed elettrici

Collegamento del tubo di alimentazione dell'acqua



1. Collegare il tubo di alimentazione avvitandolo a un rubinetto d'acqua fredda con bocca filettata da 3/4 gas (vedi figura). Prima di allacciare, far scorrere l'acqua finché non sia limpida.



2. Collegare il tubo di alimentazione alla lavabiancheria avvitandolo all'apposita presa d'acqua, nella parte posteriore in alto a destra (vedi figura).

3. Fare attenzione che nel tubo non ci siano né pieghe né strozzature.

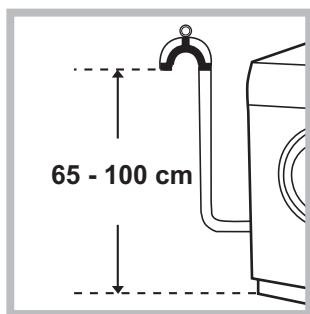
! La pressione idrica del rubinetto deve essere compresa nei valori della tabella Dati tecnici (vedi pagina a fianco).

! Se la lunghezza del tubo di alimentazione non fosse sufficiente, rivolgersi a un negozio specializzato o a un tecnico autorizzato.

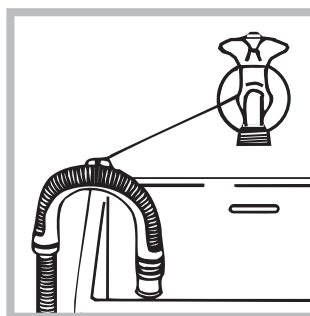
! Non utilizzare mai tubi già usati.

! Utilizzare quelli in dotazione alla macchina.

Collegamento del tubo di scarico



Collegare il tubo di scarico, senza piegarlo, a una condotta di scarico o a uno scarico a muro posti tra 65 e 100 cm da terra;



oppure appoggiarlo al bordo di un lavandino o di una vasca, legando la guida in dotazione al rubinetto (vedi figura). L'estremità libera del tubo di scarico non deve rimanere immersa nell'acqua.

! È sconsigliato usare tubi di prolunga; se indispensabile, la prolunga deve avere lo stesso diametro del tubo originale e non superare i 150 cm.

Collegamento elettrico

Prima di inserire la spina nella presa della corrente, accertarsi che:

- la presa abbia la messa a terra e sia a norma di legge;
- la presa sia in grado di sopportare il carico massimo di potenza della macchina, indicato nella tabella Dati tecnici (vedi a fianco);
- la tensione di alimentazione sia compresa nei valori indicati nella tabella Dati tecnici (vedi a fianco);
- la presa sia compatibile con la spina della lavabiancheria. In caso contrario sostituire la presa o la spina.

! La lavabiancheria non va installata all'aperto, nemmeno se lo spazio è riparato, perché è molto pericoloso lasciarla esposta a pioggia e temporali.

! A lavabiancheria installata, la presa della corrente deve essere facilmente raggiungibile.

! Non usare prolunghe e multiple.

! Il cavo non deve subire piegature o compressioni.

! Il cavo di alimentazione deve essere sostituito solo da tecnici autorizzati.

Attenzione! L'azienda declina ogni responsabilità qualora queste norme non vengano rispettate.

Primo ciclo di lavaggio

Dopo l'installazione, prima dell'uso, effettuare un ciclo di lavaggio con detersivo e senza biancheria impostando il programma "Auto Pulizia".

Dati tecnici

Modello WMD 1044



Dimensioni larghezza cm 59,5
altezza cm 85
profondità cm 60,5

Capacità da 1 a 10 kg

Collegamenti elettrici vedi la targhetta caratteristiche tecniche applicata sulla macchina

Collegamenti idrici pressione massima 1 MPa (10 bar)
pressione minima 0,05 MPa (0,5 bar)
capacità del cesto 71 litri

Velocità di centrifuga sino a 1400 giri al minuto

Programmi di controllo secondo la direttiva 1061/2010 1015/2010 programma  (60°C) (1° pressione del tasto); Cotone Standard 60°C.
programma  (40°C) (2° pressione del tasto); Cotone Standard 40°C.



Questa apparecchiatura è conforme alle seguenti Direttive Comunitarie:
- 2004/108/CE (Compatibilità Elettromagnetica)
- 2002/96/CE
- 2006/95/CE (Bassa Tensione)

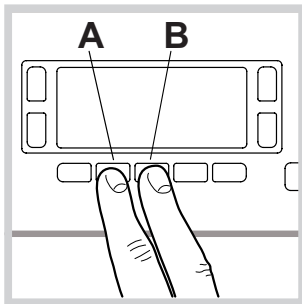
Manutenzione e cura

Escludere acqua e corrente elettrica

- Chiudere il rubinetto dell'acqua dopo ogni lavaggio. Si limita così l'usura dell'impianto idraulico della lavabiancheria e si elimina il pericolo di perdite.
- Staccare la spina della corrente quando si pulisce la lavabiancheria e durante i lavori di manutenzione.

Pulire la lavabiancheria

- La parte esterna e le parti in gomma possono essere puliti con un panno imbevuto di acqua tiepida e sapone. Non usare solventi o abrasivi.
- La lavabiancheria è dotata di un programma di "Auto Pulizia" delle parti interne che deve essere effettuato **senza alcun tipo di carico nel cesto**.

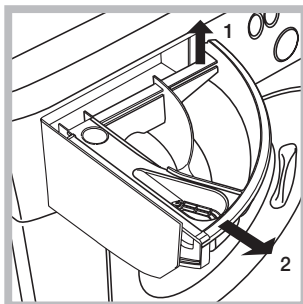


Il detersivo (nella quantità pari al 10% di quella consigliata per capi poco sporchi) o additivi specifici per la pulizia della lavabiancheria, potranno essere utilizzati come coadiuvanti nel programma di lavaggio. Si consiglia di effettuare il programma di pulizia

ogni 40 cicli di lavaggio.

Per attivare il programma premere contemporaneamente il tasto **A** e **B** per 5 sec. (vedi figura). Il programma partirà automaticamente ed avrà una durata di circa 70 minuti. Per fermare il ciclo premere il tasto START/PAUSE.

Pulire il cassetto dei detersivi



Sfilare il cassetto sollevandolo e tirandolo verso l'esterno (vedi figura). Lavarlo sotto l'acqua corrente; questa pulizia va effettuata frequentemente.

Curare oblò e cestello

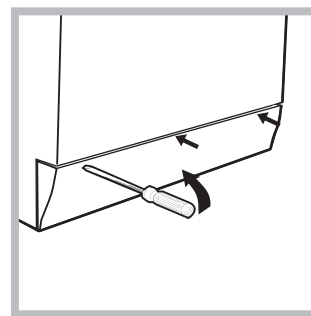
- Lasciare sempre socchiuso l'oblò per evitare che si formino cattivi odori.

Pulire la pompa

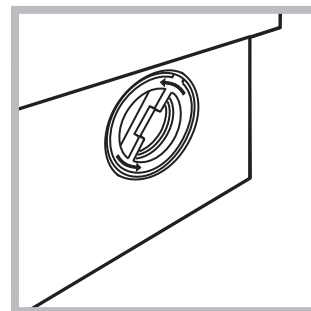
La macchina è dotata di una pompa autopulente che non ha bisogno di manutenzione. Può però succedere che piccoli oggetti (monete, bottoni) cadano nella precamera che protegge la pompa, situata nella parte inferiore di essa.

! Assicurarsi che il ciclo di lavaggio sia terminato e staccare la spina.

Per accedere alla precamera:



1. rimuovere il pannello di copertura sul lato anteriore della macchina con l'ausilio di un giravite (vedi figura);



2. svitare il coperchio ruotandolo in senso antiorario (vedi figura): è normale che fuoriesca un po' d'acqua;

3. pulire accuratamente l'interno;
4. riavvitare il coperchio;
5. rimontare il pannello assicurandosi, prima di spingerlo verso la macchina, di aver inserito i ganci nelle apposite asole.

Controllare il tubo di alimentazione dell'acqua

Controllare il tubo di alimentazione almeno una volta all'anno. Se presenta screpolature e fessure va sostituito: durante i lavaggi le forti pressioni potrebbero provocare improvvise spaccature.

! Non utilizzare mai tubi già usati.

Precauzioni e consigli

! La lavabiancheria è stata progettata e costruita in conformità alle norme internazionali di sicurezza. Queste avvertenze sono fornite per ragioni di sicurezza e devono essere lette attentamente.

Sicurezza generale

- Questo apparecchio è stato concepito esclusivamente per un uso di tipo domestico.
- L'apparecchio non deve essere utilizzato da persone (bambini compresi) con capacità fisiche, sensoriali o mentali ridotte e con esperienze e conoscenze insufficienti, a meno che tale utilizzo non avvenga sotto la supervisione o le istruzioni di una persona responsabile della loro sicurezza. I bambini devono essere sorvegliati per garantire che non giochino con l'apparecchio.
- Non toccare la macchina a piedi nudi o con le mani o i piedi bagnati o umidi.
- Non staccare la spina dalla presa della corrente tirando il cavo, bensì afferrando la spina.
- Non aprire il cassetto dei detersivi mentre la macchina è in funzione.
- Non toccare l'acqua di scarico, che può raggiungere temperature elevate.
- Non forzare in nessun caso l'oblò: potrebbe danneggiarsi il meccanismo di sicurezza che protegge da aperture accidentali.
- In caso di guasto, in nessun caso accedere ai meccanismi interni per tentare una riparazione.
- Controllare sempre che i bambini non si avvicinino alla macchina in funzione.
- Durante il lavaggio l'oblò tende a scaldarsi.
- Se dev'essere spostata, lavorare in due o tre persone con la massima attenzione. Mai da soli perché la macchina è molto pesante.
- Prima di introdurre la biancheria controlla che il cestello sia vuoto.

Smaltimento

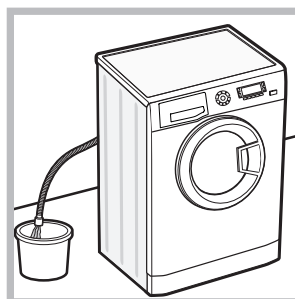
- Smaltimento del materiale di imballaggio: attenersi alle norme locali, così gli imballaggi potranno essere riutilizzati.
- La direttiva Europea 2002/96/CE sui rifiuti di apparecchiature elettriche ed elettroniche, prevede che gli elettrodomestici non debbano essere smaltiti nel normale flusso dei rifiuti solidi urbani. Gli apparecchi dismessi devono essere raccolti separatamente per ottimizzare il tasso di recupero e riciclaggio dei materiali che li compongono ed impedire potenziali danni per la salute e l'ambiente.

Il simbolo del cestino barrato è riportato su tutti i prodotti per ricordare gli obblighi di raccolta separata.

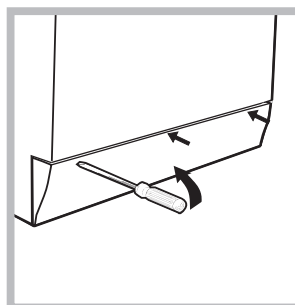
Per ulteriori informazioni, sulla corretta dismissione degli elettrodomestici, i detentori potranno rivolgersi al servizio pubblico preposto o ai rivenditori.

Apertura manuale della porta oblò

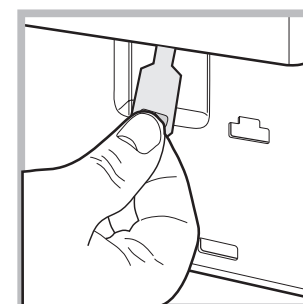
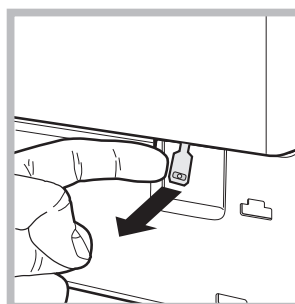
Nel caso non sia possibile aprire la porta oblò a causa della mancanza di energia elettrica e volete stendere il bucato, procedere come segue:



1. togliere la spina dalla presa di corrente.
2. verificare che il livello dell'acqua all'interno della macchina sia inferiore rispetto all'apertura dell'oblò; in caso contrario togliere l'acqua in eccedenza attraverso il tubo di scarico raccogliendola in un secchio come indicato in figura.



3. rimuovere il pannello di copertura sul lato anteriore della lavabiancheria con l'ausilio di un giravite (vedi figura).

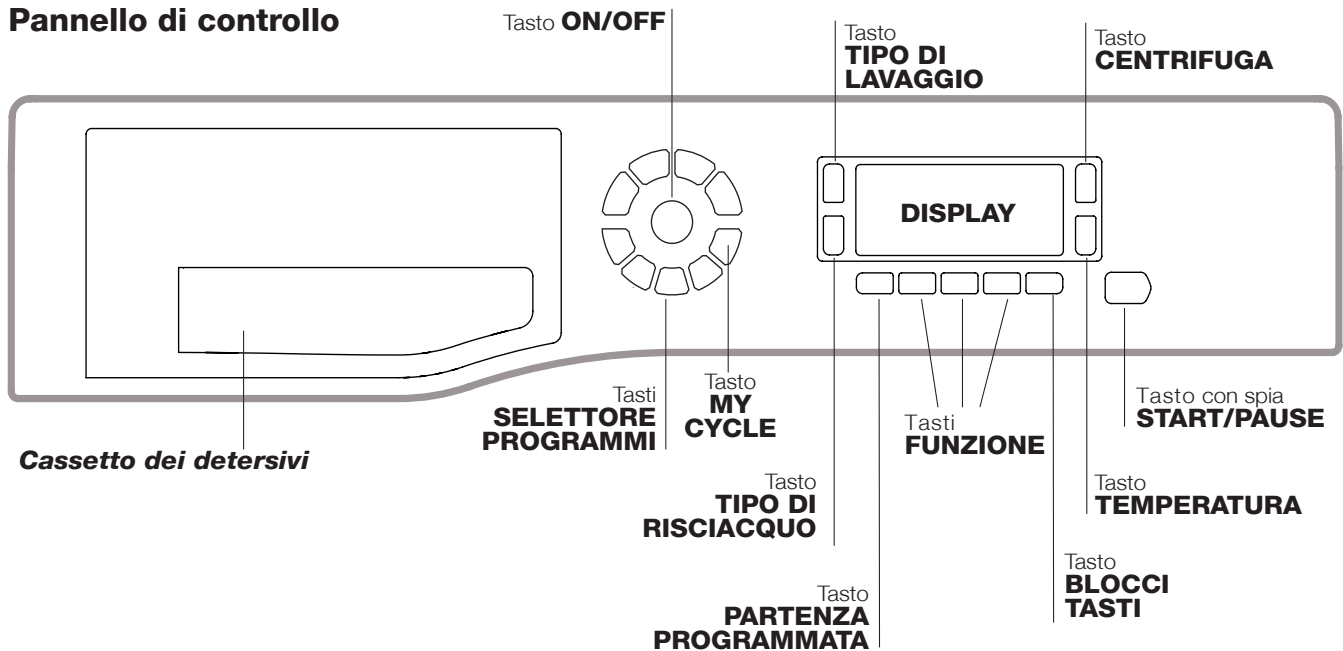


4. utilizzando la linguetta indicata in figura tirare verso l'esterno fino a liberare il tirante in plastica dal fermo; tirarlo successivamente verso il basso e contemporaneamente aprire la porta.


5. rimontare il pannello assicurandosi, prima di spingerlo verso la macchina, di aver inserito i ganci nelle apposite asole.

Descrizione della lavabiancheria

Pannello di controllo



Cassetto dei detersivi: per caricare detersivi e additivi (vedi "Detersivi e biancheria").

Tasto ON/OFF : premere brevemente il tasto per accendere o spegnere la macchina. La spia START/PAUSE che lampeggia lentamente di colore verde indica che la macchina è accesa. Per spegnere la lavabiancheria durante il lavaggio è necessario tenere premuto il tasto più a lungo, circa 3 sec.; una pressione breve o accidentale non permetterà lo spegnimento della macchina.

Lo spegnimento della macchina durante un lavaggio in corso annulla il lavaggio stesso.

Tasti SELETTORE PROGRAMMI: per impostare il programma desiderato (vedi "Tabella dei programmi").

Tasto MY CYCLE: tenere premuto il tasto per memorizzare un ciclo e le proprie personalizzazioni preferite. Per richiamare un ciclo precedentemente memorizzato premere il tasto MY CYCLE.


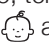
Tasti FUNZIONE: premere il tasto per selezionare la funzione desiderata. Sul display si illuminerà la spia relativa.

Tasto TIPO DI LAVAGGIO : premere per selezionare l'intensità di lavaggio desiderata.

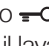
Tasto TIPO DI RISCIACQUO : premere per selezionare il tipo di risciacquo desiderato.

Tasto CENTRIFUGA : premere per ridurre o escludere del tutto la centrifuga; il valore viene indicato nel display.

Tasto TEMPERATURA : premere per ridurre la temperatura; il valore viene indicato nel display.

Tasto BLOCCO TASTI : per attivare il blocco del pannello di controllo, tenere premuto il tasto per circa 2 secondi. Il simbolo  acceso indica che il pannello di controllo è bloccato (ad eccezione del tasto ON/OFF). In questo modo si impediscono modifiche accidentali dei programmi, soprattutto se in casa ci sono dei bambini. Per disattivare il blocco del pannello di controllo, tenere premuto il tasto per circa 2 secondi.

Tasto PARTENZA RITARDATA : premere per impostare una partenza ritardata del programma prescelto; il ritardo viene indicato nel display.

Tasto con spia START/PAUSE: quando la spia verde lampeggia lentamente, premere il tasto per avviare un lavaggio. A ciclo avviato la spia diventa fissa. Per mettere in pausa il lavaggio, premere nuovamente il tasto; la spia lampeggerà con colore arancione. Se il simbolo  non è illuminato, si potrà aprire l'oblò. Per far ripartire il lavaggio dal punto in cui è stato interrotto, premere nuovamente il tasto.

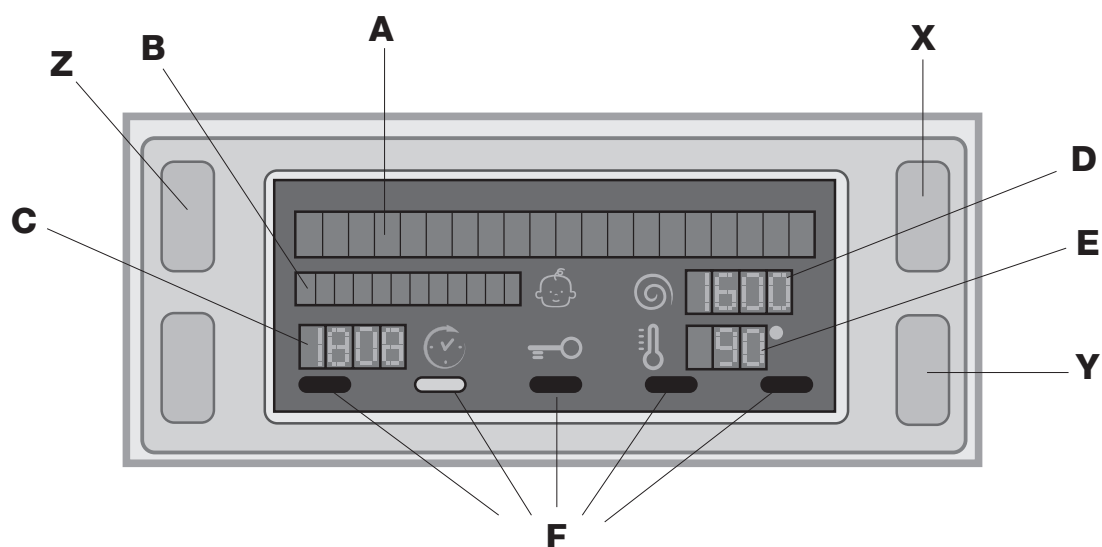
Modalità di stand by

Questa lavatrice, in conformità alle nuove normative legate al risparmio energetico, è dotata di un sistema di autospegnimento (stand by) che entra in funzione dopo circa 30 minuti nel caso di non utilizzo. Premere brevemente il tasto ON/OFF e attendere che la macchina si riattivi.

Consumo in off-mode: 0,5 W

Consumo in Left-on: 0,5 W

Display



Il display è utile per programmare la macchina e fornisce molteplici informazioni.

Nelle due stringhe superiori **A** e **B** vengono visualizzati il programma di lavaggio selezionato, la fase di lavaggio in corso e tutte le indicazioni relative allo stato d'avanzamento del programma.

Nella stringa **C** viene visualizzato il tempo residuo alla fine del ciclo di lavaggio in corso e nel caso fosse stata impostata una PARTENZA RITARDATA, il tempo mancante all'avvio del programma selezionato.

Nell'area **D** viene visualizzato il valore massimo della velocità della centrifuga che la macchina può effettuare in base al programma impostato; se il programma non prevede la centrifuga l'area resta spenta.

Nell'area **E** viene visualizzato il valore massimo della temperatura che si può selezionare in base al programma impostato; se il programma non prevede l'impostazione della temperatura l'area resta spenta.

Le spie **F** sono relative alle funzioni e si accendono quando la funzione selezionata è compatibile con il programma impostato.

Simbolo **Oblò bloccato**

Il simbolo acceso indica che l'oblò è bloccato per impedire aperture accidentali. Per evitare danni è necessario attendere che il simbolo si spenga prima di aprire l'oblò.

N.B.: se è attiva la funzione PARTENZA RITARDATA l'oblò non si può aprire, per aprirlo mettere la macchina in pausa premendo il tasto START/PAUSE.


! Alla prima accensione verrà richiesto di selezionare la lingua ed il display entrerà automaticamente nel menu di selezione lingua. Per scegliere la lingua desiderata premere i tasti **X** e **Y**, per confermare la scelta premere il tasto **Z**.

Se si vuole cambiare lingua, spegnere la macchina, premere **contemporaneamente** i tasti **X**, **Y**, **Z** fino a sentire un segnale acustico, verrà visualizzato di nuovo il menu di selezione lingua.

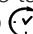
Come effettuare un ciclo di lavaggio

1. **ACCENDERE LA MACCHINA.** Premere il tasto , sul display comparirà la scritta "ACCENSIONE IN CORSO"; la spia START/PAUSE lampeggia lentamente di colore verde.
2. **CARICARE LA BIANCHERIA.** Aprire la porta oblò. Caricare la biancheria facendo attenzione a non superare la quantità di carico indicata nella tabella programmi della pagina seguente.
3. **DOSARE IL DETERSIVO.** Estrarre il cassetto e versare il detersivo nelle apposite vaschette come spiegato in "Detersivi e biancheria".
4. **CHIUDERE L'OBLO'.**
5. **SCEGLIERE IL PROGRAMMA.** Premere uno dei tasti del SELETTORE PROGRAMMI per selezionare il programma desiderato; il nome del programma comparirà sul display; ad esso è associata una temperatura e una velocità di centrifuga che possono essere modificate. Sul display comparirà la durata del ciclo.
6. **PERSONALIZZARE IL CICLO DI LAVAGGIO.** Agire sugli appositi tasti:


 **Modificare la temperatura e/o la centrifuga.** La macchina seleziona automaticamente la temperatura e la centrifuga massime previste per il programma impostato e non possono pertanto essere aumentate. Premendo il tasto  si riduce progressivamente la temperatura sino al lavaggio a freddo "OFF". Premendo il tasto  si riduce progressivamente la centrifuga sino alla sua esclusione "OFF". Un'ulteriore pressione dei tasti riporterà i valori al massimo consentito per il ciclo selezionato.

! Eccezione: selezionando il programma  (60°C) (1ª pressione del tasto) la temperatura può essere portata sino a 90°.



 **Impostare una partenza ritardata.**

Per impostare la partenza ritardata del programma prescelto, premere il tasto relativo fino a raggiungere il tempo di ritardo desiderato. Quando tale opzione è attiva, sul display si illumina il simbolo . Per rimuovere la partenza ritardata premere il tasto fino a che sul display compare la scritta "OFF".

Impostare l'intensità di lavaggio desiderata.

L'opzione  permette di ottimizzare il lavaggio in base al grado di sporco dei tessuti e all'intensità di lavaggio desiderata.

Selezionare il programma di lavaggio, il ciclo viene impostato automaticamente sul livello "Normale", ottimizzato per capi mediamente sporchi, (impostazione non valida per il ciclo "Lana", che si imposta automaticamente sul livello "Delicato").

Per capi molto sporchi premere il tasto  fino al raggiungimento del livello "Lavaggio Intensivo". Questo livello garantisce un lavaggio di alte prestazioni grazie all'utilizzo di una maggiore quantità di acqua nella fase iniziale del ciclo ed una maggiore movimentazione meccanica, ed è utile per eliminare le macchie più resistenti. Può essere utilizzato **con** o **senza** candeggina. Se si desidera effettuare il candeggio inserire la vaschetta aggiuntiva 4, in dotazione, nella vaschetta 1. Nel dosare la candeggina non superare il livello "max" indicato sul perno centrale (vedi figura a pag. 34). Per capi poco sporchi o per un trattamento più delicato dei tessuti, premere il tasto  fino al raggiungimento del livello "Delicato".

Il ciclo ridurrà la movimentazione meccanica per garantire risultati di lavaggio perfetti per i capi delicati.

Impostare il tipo di risciacquo.

L'opzione  consente di selezionare il tipo di risciacquo desiderato per la massima cura delle pelli sensibili. Alla prima pressione del tasto viene impostato il livello "Extra risciacquo" che permette di selezionare un risciacquo aggiuntivo a quelli standard del ciclo, per eliminare tutte le tracce di detersivo. Alla seconda pressione del tasto viene impostato il livello "Pelli Sensibili" che permette di selezionare due risciacqui aggiuntivi a quelli standard del ciclo ed è consigliato per le pelli più sensibili. Alla terza pressione del tasto viene impostato il livello "Anti Allergico" che permette di selezionare tre risciacqui aggiuntivi a quelli standard del ciclo, per rimuovere i principali allergeni come polline, acari, peli del gatto e cane. Premere nuovamente il tasto per tornare al tipo di risciacquo "Risciacquo Normale". Se non è possibile impostare o modificare la regolazione esistente, sul display verrà visualizzato "Non permesso".

Modificare le caratteristiche del ciclo.

- Premere il tasto per attivare la funzione; la spia corrispondente al pulsante si accenderà.
- Premere nuovamente il tasto per disattivare la funzione; la spia si spegnerà.

! Se la funzione selezionata non è compatibile con il programma impostato, la spia lampeggerà e la funzione non verrà attivata.

! Se la funzione selezionata non è compatibile con un'altra precedentemente impostata, la spia relativa alla prima funzione selezionata lampeggerà e verrà attivata solo la seconda, la spia della funzione attivata si illuminerà.

! Le funzioni possono variare il carico raccomandato e/o la durata del ciclo.

7. **AVVIARE IL PROGRAMMA.** Premere il tasto START/PAUSE. La spia relativa si illuminerà di colore verde fisso e l'oblò si bloccherà (simbolo OBLO' BLOCCATO  acceso). Durante il lavaggio, sul display comparirà il nome della fase in corso. Per cambiare un programma mentre un ciclo è in corso, **mettere la lavabiancheria in pausa** premendo il tasto START/PAUSE (la spia START/PAUSE lampeggerà lentamente di colore arancione); selezionare quindi il ciclo desiderato e premere nuovamente il tasto START/PAUSE. Per aprire la porta mentre un ciclo è in corso premere il tasto START/PAUSE; se il simbolo OBLO' BLOCCATO  è spenta sarà possibile aprire l'oblò. Premere nuovamente il tasto START/PAUSE per far ripartire il programma dal punto in cui era stato interrotto.
 8. **FINE DEL PROGRAMMA.** Viene indicata dalla scritta "FINE CICLO" sul display, quando il simbolo OBLO' BLOCCATO  si spegnerà sarà possibile aprire l'oblò. Aprire l'oblò, scaricare la biancheria e spegnere la macchina.
- ! Se si desidera annullare un ciclo già avviato, premere a lungo il tasto . Il ciclo verrà interrotto e la macchina si spegnerà.

Programmi e funzioni

Tabella dei programmi

Programmi	Descrizione del Programma	Temp. max. (°C)	Velocità max. (giri al minuto)	Detersivi				Carico max. (Kg)	Umidità residua %	Consumo energia kWh	Acqua totale lt	Durata ciclo
				Prelavaggio	Lavaggio	Candegina	Ammorbidente					
	Antimacchia	40°	1400	●	●	-	●	6	-	-	-	190'
	Cotone Standard 60° (1) (1° pressione del tasto): bianchi e colorati resistenti molto sporchi.	60° (Max. 90°)	1400	● (3)	●	●	●	10	53	1,09	85	210'
	Cotone Standard 40° (2) (2° pressione del tasto): bianchi e colorati delicati poco sporchi.	40°	1400	-	●	●	●	10	53	1,09	92	185'
	Cotone Standard 20° (3) (3° pressione del tasto): bianchi e colorati delicati poco sporchi.	20°	1400	-	●	●	●	10	-	-	-	175'
	Sintetici Resistenti (1°) (1° pressione del tasto): colori resistenti molto sporchi.	60°	800	●	●	●	●	5,5	48	0,99	57	120'
	Sintetici Resistenti (4) (1° pressione del tasto): colori resistenti poco sporchi.	40°	800	●	●	●	●	5,5	48	0,63	55	100'
	Sintetici Delicati (2°) (2° pressione del tasto): colori delicati poco sporchi.	40°	800	●	●	●	●	5,5	-	-	-	80'
	Rapido 60' (1° pressione del tasto): per rinfrescare rapidamente capi normalmente (non indicato per lana, seta e capi da lavare a mano).	60°	1400	-	●	-	●	4	53	0,54	57	60'
	Rapido 30' (2° pressione del tasto): per rinfrescare rapidamente capi poco sporchi (non indicato per lana, seta e capi da lavare a mano).	30°	800	-	●	-	●	4	71	0,21	41	30'
M	My Cycle (Memo): permette di memorizzare un qualsiasi ciclo di lavaggio.											
	Biancheria 7 giorni: per biancheria da letto e da bagno.	60°	1400	●	●	-	●	10	-	-	-	155'
	Woolmark Platinum (Lana): per lana, cachemire, ecc.	40°	800	-	●	-	●	2,5	-	-	-	100'
	Delicati	30°	0	-	●	-	●	1	-	-	-	80'
	Centrifuga (1°) (1° pressione del tasto).	-	1400	-	-	-	-	10	-	-	-	16'
	Risciacquo (2°) (2° pressione del tasto).	-	1400	-	-	-	●	10	-	-	-	49'
	Scarico (3°) (3° pressione del tasto).	-	0	-	-	-	-	10	-	-	-	2'

La durata del ciclo indicata sul display o sul libretto è una stima calcolata in base a condizioni standard. Il tempo effettivo può variare in base a numerosi fattori quali la temperatura e la pressione dell'acqua in ingresso, la temperatura ambiente, la quantità di detersivo, la quantità ed il tipo di carico, il bilanciamento del carico, le opzioni aggiuntive selezionate.

1) Programma di controllo secondo la direttiva 1061/2010: impostare il programma 60°C (1° pressione del tasto).

Questo ciclo è adatto per pulire un carico di cotone normalmente sporco ed è il più efficiente in termini di consumo combinato di energia e di acqua, da usare su capi lavabili a 60°C. La temperatura effettiva di lavaggio può differire da quella indicata.

2) Programma di controllo secondo la direttiva 1061/2010: impostare il programma 40°C (2° pressione del tasto).

Questo ciclo è adatto per pulire un carico di cotone normalmente sporco ed è il più efficiente in termini di consumo combinato di energia e di acqua, da usare su capi lavabili a 40°C. La temperatura effettiva di lavaggio può differire da quella indicata.

3) Alla temperatura di 60° la funzione "Prelavaggio" non può essere attivata.

Per tutti Test Institutes:

2) Programma cotone lungo: impostare il programma 40°C (2° pressione del tasto).

4) Programma sintetico lungo: impostare il programma a 60°C (1° pressione del tasto); temperatura di 40°C (premere il tasto TEMPERATURA).

Funzioni di lavaggio

Prelavaggio

Selezionando questa funzione si effettua il prelavaggio, utile per rimuovere macchie ostinate.

N.B.: Aggiungere il detersivo nell'apposito scomparto.

! Non è attivabile sui programmi , , , , (60°),

, .

Stira facile

Selezionando questa funzione, il lavaggio e la centrifuga saranno opportunamente modificati per ridurre la formazione di pieghe.

Al termine del ciclo la lavabiancheria effettuerà delle lente rotazioni del cestello; la spia della funzione STIRA FACILE lampeggerà e la scritta "FINE CICLO" apparirà su display.

Per terminare il ciclo si dovrà premere il tasto START/PAUSE o il tasto STIRA FACILE.

! Non è attivabile sui programmi , "Rapido 30'", ,

, .

Eco wash

La funzione Eco Wash contribuisce al risparmio energetico non riscaldando l'acqua utilizzata per lavare il bucato – un vantaggio sia per l'ambiente, sia per la bolletta elettrica.

Infatti, l'azione rafforzata e il consumo ottimizzato dell'acqua garantiscono ottimi risultati nella stessa durata media di un ciclo standard.

Per ottenere i migliori risultati di lavaggio, si consiglia l'uso di un detersivo liquido.

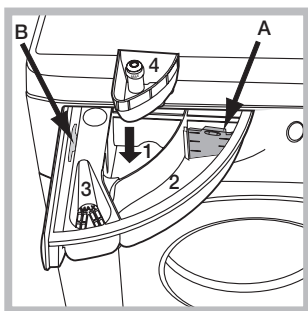
! Non è attivabile sui programmi , , , , , .

Detersivi e biancheria

Cassetto dei detersivi

Il buon risultato del lavaggio dipende anche dal corretto dosaggio del detersivo: eccedendo non si lava in modo più efficace e si contribuisce a incrostare le parti interne della lavabiancheria e a inquinare l'ambiente.

- ! Usare detersivi in polvere per capi in cotone bianchi e per il prelavaggio e per lavaggi con temperatura superiore a 60°C.
- ! Seguire le indicazioni riportate sulla confezione di detersivo.
- ! Non usare detersivi per il lavaggio a mano, perché formano troppa schiuma.



Estrarre il cassetto dei detersivi e inserire il detersivo o l'additivo come segue.

vaschetta 1: Detersivo per prelavaggio (in polvere)

Prima di versare il detersivo verificare che non sia inserita la vaschetta aggiuntiva 4.

vaschetta 2: Detersivo per lavaggio (in polvere o liquido)

Nel caso di utilizzo di detersivo liquido si consiglia di utilizzare la parete **A** in dotazione per un corretto dosaggio.

Per l'utilizzo del detersivo in polvere riporre la parete nella cavità **B**.

vaschetta 3: Additivi (ammorbidente, ecc.)

L'ammorbidente non deve fuoriuscire dalla griglia.

vaschetta aggiuntiva 4: Candeggina

Preparare la biancheria

- Suddividere la biancheria secondo:
 - il tipo di tessuto / il simbolo sull'etichetta.
 - i colori: separare i capi colorati da quelli bianchi.
- Vuotare le tasche e controllare i bottoni.
- Non superare i valori indicati, riferiti al peso della biancheria asciutta: vedi "Tabella dei programmi".

Quanto pesa la biancheria?

- 1 lenzuolo 400-500 gr.
- 1 federa 150-200 gr.
- 1 tovaglia 400-500 gr.
- 1 accappatoio 900-1200 gr.
- 1 asciugamano 150-250 gr.

Programmi speciali

Antimacchia: il programma è adatto al lavaggio di capi molto sporchi, con colori resistenti. Il programma garantisce una classe di lavaggio superiore alla classe standard (classe A). Non eseguire il programma mescolando capi di colore diverso. Si consiglia l'utilizzo di detersivo in polvere. Per macchie ostinate è consigliato il pretrattamento con additivi specifici.

Cotone Standard 20° : ideale per carichi in cotone sporchi. Le buone performance anche a freddo, comparabili con un lavaggio a 40°, sono garantite da un'azione meccanica che lavora con variazione di velocità a picchi ripetuti e ravvicinati

Biancheria da bagno e da letto: per lavare la biancheria da bagno e da letto in un unico ciclo, utilizzare il programma che ottimizza l'uso dell'ammorbidente e ti consente di risparmiare tempo ed energia. Si consiglia l'utilizzo di detersivo in polvere.

Lana: il ciclo di lavaggio "Lana" di questa lavatrice Hotpoint-Ariston è stato testato e approvato dalla Woolmark Company per il lavaggio di capi in lana classificati come "lavabili a mano", purché il lavaggio venga eseguito nel rispetto delle istruzioni riportate sull'etichetta dell'indumento e delle indicazioni fornite dal produttore dell'elettrodomestico. Hotpoint-Ariston è la prima marca di lavatrici ad aver ottenuto dalla Woolmark Company la certificazione Woolmark Apparel Care - Platinum per le sue prestazioni di lavaggio e il consumo di acqua ed energia. (M1135)



Delicati: utilizzare il programma per il lavaggio dei capi molto delicati, che presentano applicazioni quali strass o paillettes.

Per il lavaggio dei capi in **seta** e **tende**, selezionare il ciclo ed impostare il livello "Delicato" dell'opzione . Si raccomanda di rovesciare i capi prima del lavaggio e di inserire gli indumenti piccoli nell'apposito sacchetto per il lavaggio dei capi delicati.

Per risultati migliori si raccomanda l'utilizzo del detersivo liquido per capi delicati.

Sistema bilanciamento del carico

Prima di ogni centrifuga, per evitare vibrazioni eccessive e per distribuire il carico in modo uniforme, il cestello effettua delle rotazioni ad una velocità leggermente superiore a quella del lavaggio. Se al termine di ripetuti tentativi il carico non fosse ancora correttamente bilanciato la macchina effettua la centrifuga ad una velocità inferiore a quella prevista.

In presenza di eccessivo sbilanciamento la lavabiancheria effettua la distribuzione anziché la centrifuga. Per favorire una migliore distribuzione del carico e il suo corretto bilanciamento si consiglia di mescolare capi grandi e piccoli.

Anomalie e rimedi

Può accadere che la lavabiancheria non funzioni. Prima di telefonare all'Assistenza (vedi "Assistenza"), controllare che non si tratti di un problema facilmente risolvibile aiutandosi con il seguente elenco.

Anomalie:

La lavabiancheria non si accende.

Il ciclo di lavaggio non inizia.

La lavabiancheria non carica acqua (nel display apparirà la scritta "Manca l'acqua, apri il rubinetto").

La lavabiancheria carica e scarica acqua di continuo.

La lavabiancheria non scarica o non centrifuga.

La lavabiancheria vibra molto durante la centrifuga.

La lavabiancheria perde acqua.

La macchina è bloccata, il display lampeggia e segnala un codice di anomalia (es.: F-01, F-...).

Si forma troppa schiuma.

Possibili cause / Soluzione:

- La spina non è inserita nella presa della corrente, o non abbastanza da fare contatto.
- In casa non c'è corrente.

- L'oblò non è ben chiuso.
- Il tasto ON/OFF non è stato premuto.
- Il tasto START/PAUSE non è stato premuto.
- Il rubinetto dell'acqua non è aperto.
- Si è impostato un ritardo sull'ora di avvio (PARTENZA RITARDATA, vedi "Come effettuare un ciclo di lavaggio").

- Il tubo di alimentazione dell'acqua non è collegato al rubinetto.
- Il tubo è piegato.
- Il rubinetto dell'acqua non è aperto.
- In casa manca l'acqua.
- Non c'è sufficiente pressione.
- Il tasto START/PAUSE non è stato premuto.

- Il tubo di scarico non è installato fra 65 e 100 cm da terra (vedi "Installazione").
- L'estremità del tubo di scarico è immersa nell'acqua (vedi "Installazione").
- Lo scarico a muro non ha lo sfiato d'aria.

Se dopo queste verifiche il problema non si risolve, chiudere il rubinetto dell'acqua, spegnere la lavabiancheria e chiamare l'Assistenza. Se l'abitazione si trova agli ultimi piani di un edificio, è possibile che si verifichino fenomeni di sifonaggio, per cui la lavabiancheria carica e scarica acqua di continuo. Per eliminare l'inconveniente sono disponibili in commercio apposite valvole anti-sifonaggio.

- Il programma non prevede lo scarico: con alcuni programmi occorre avviarlo manualmente.
- È attiva la funzione STIRA FACILE: per completare il programma premere il tasto START/PAUSE ("Programmi e funzioni").
- Il tubo di scarico è piegato (vedi "Installazione").
- La condotta di scarico è ostruita.

- Il cestello, al momento dell'installazione, non è stato sbloccato correttamente (vedi "Installazione").
- La lavabiancheria non è in piano (vedi "Installazione").
- La lavabiancheria è stretta tra mobili e muro (vedi "Installazione").

- Il tubo di alimentazione dell'acqua non è ben avvitato (vedi "Installazione").
- Il cassetto dei detersivi è intasato (per pulirlo vedi "Manutenzione e cura").
- Il tubo di scarico non è fissato bene (vedi "Installazione").

- Spegnere la macchina e togliere la spina dalla presa, attendere circa 1 minuto quindi riaccenderla.
Se l'anomalia persiste, chiamare l'Assistenza.

- Il detersivo non è specifico per lavabiancheria (deve esserci la dicitura "per lavatrice", "a mano e in lavatrice", o simili).
- Il dosaggio è stato eccessivo.

Assistenza

Prima di contattare l'Assistenza:

- Verificare se l'anomalia può essere risolta da soli (vedi "Anomalie e rimedi");
- Riavviare il programma per controllare se l'inconveniente è stato ovviato;
- In caso negativo, contattare il Numero Unico 199.199.199*.

! Non ricorrere mai a tecnici non autorizzati.

Comunicare:

- il tipo di anomalia;
- il modello della macchina (Mod.);
- il numero di serie (S/N);

Queste informazioni si trovano sulla targhetta applicata nella parte posteriore della lavabiancheria e nella parte anteriore aprendo l'oblò.

Assistenza Attiva 7 giorni su 7



ASSISTENZA - RICAMBI - ACCESSORI *
199.199.199
NUMERO UNICO

In caso di necessità d'intervento chiamare il Numero Unico Nazionale 199.199.199*.

Un operatore sarà a completa disposizione per fissare un appuntamento con il Centro Assistenza Tecnico Autorizzato più vicino al luogo da cui si chiama.

È attivo 7 giorni su 7, sabato e domenica compresi, e non lascia mai inascoltata una richiesta.

* Al costo di 14,25 centesimi di Euro al minuto (iva inclusa) dal Lun. al Ven. dalle 08:00 alle 18:30, il Sab. dalle 08:00 alle 13:00 e di 5,58 centesimi di Euro al minuto (iva inclusa) dal Lun. al Ven. dalle 18:30 alle 08:00, il Sab. dalle 13:00 alle 08:00 e i giorni festivi, per chi chiama da telefono fisso. Per chi chiama da radiomobile le tariffe sono legate al piano tariffario dell'operatore telefonico utilizzato. Le suddette tariffe potrebbero essere soggette a variazione da parte dell'operatore telefonico; per maggiori informazioni consultare il sito www.hotpoint-ariston.it.

Instruções para utilização

MÁQUINA DE LAVAR ROUPA

PT

Português

WMD 1044

Sumário

Instalação, 38-39

Desembalar e nivelar
Ligações hidráulicas e eléctricas
Primeiro ciclo de lavagem
Dados técnicos

Manutenção e cuidados, 40

Interromper a alimentação de água e de corrente eléctrica
Limpar a máquina de lavar roupa
Limpar a gaveta dos detergentes
Cuidados com a porta de vidro e o tambor
Limpar a bomba
Verificar o tubo de alimentação de água

Precauções e conselhos, 41

Segurança geral
Eliminação
Abertura manual da porta de vidro

Descrição da máquina de lavar roupa, 42-43

Painel de comandos
Visor

Como efectuar um ciclo de lavagem, 44

Programas e funções, 44

Tabela dos programas
Funções de lavagem

Detergentes e roupa, 46

Gaveta dos detergentes
Preparar a roupa
Programas especiais
Sistema de balanceamento da carga

Anomalias e soluções, 47

Assistência, 48

PT

Instalação

PT

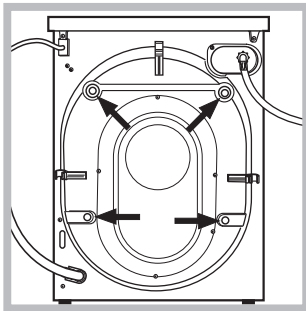
! É importante guardar este manual para poder consultá-lo a qualquer momento. Se a máquina for vendida, cedida ou transferida, certifique-se que este manual permaneça com a máquina para informar o novo proprietário acerca do seu funcionamento e das respectivas advertências.

! Leia com atenção estas instruções: há importantes informações acerca da instalação, da utilização e da segurança.

Desembalar e nivelar

Desembalar

1. Tire a máquina de lavar roupa da embalagem.
2. Verifique se a máquina de lavar roupa sofreu danos no transporte. Se estiver danificada não efectue a sua ligação e contacte o revendedor.



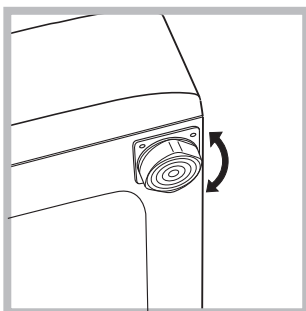
3. Tire os **4** parafusos de protecção para o transporte e a borrachinha com o respectivo calço, situados na parte traseira (veja a figura).

4. Tampe os furos com as tampas em plástico fornecidas.
5. Guarde todas as peças: se for necessário transportar a máquina de lavar roupa, terão de ser montadas outra vez.

! Embalagens não são brinquedos para as crianças!

Nivelamento

1. Instale a máquina de lavar roupa sobre um pavimento plano e rígido, sem encostá-la em paredes, móveis nem outro.

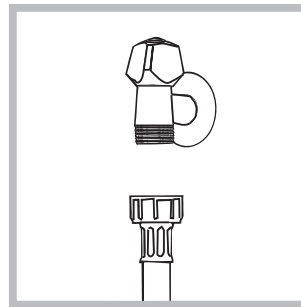


2. Se o pavimento não for perfeitamente horizontal, para compensar qualquer irregularidade, desatarraxe ou atarraxe os pés dianteiros (veja a figura); o ângulo de inclinação, medido no plano de trabalho, não deve ultrapassar 2° .

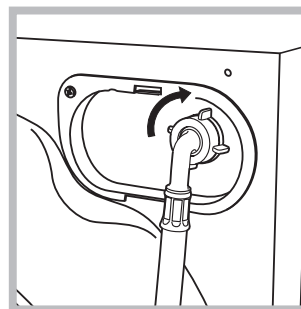
Um cuidadoso nivelamento dá estabilidade à máquina e evita vibrações, ruídos e deslocamentos durante o funcionamento. Se houver tapete ou alcatifa, regule os pés em modo que embaixo da máquina de lavar roupa deixe um espaço suficiente para ventilação.

Ligações hidráulicas e eléctricas

Ligação do tubo de alimentação da água



1. Realize a ligação do tubo de alimentação parafusando-o a uma torneira de água fria com bocal de rosca de 3/4 gás (veja a figura). Antes de realizar esta ligação, deixe a água escorrer até estar límpida.



2. Ligue o tubo de alimentação na máquina de lavar roupa atarraxando-o no apropriado fornecimento da água, na parte traseira, em cima à direita (veja a figura).

3. Tome cuidado para o tubo não ser dobrado nem esmagado.

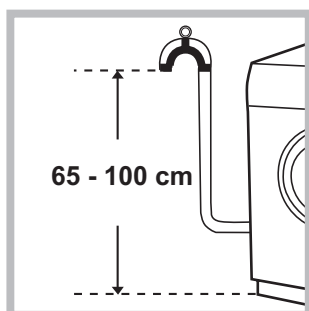
! A pressão hídrica da torneira deve ser entre os valores da tabela dos Dados técnicos (veja a página ao lado).

! Se o comprimento do tubo de alimentação não for suficiente, contacte uma oficina especializada ou um técnico autorizado.

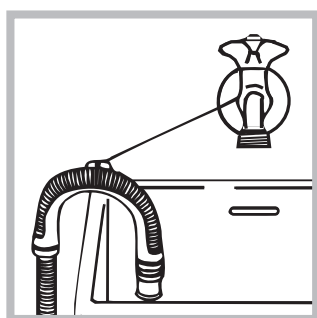
! Nunca utilize tubos já usados.

! Utilize aqueles fornecidos com a máquina.

Ligação do tubo de descarga



Ligue o tubo de descarga, sem dobrá-lo, a um conduto de descarga ou a uma descarga de parede colocados entre 65 e 100 cm do chão;



em alternativa, coloque na beira de um lavabo ou de uma banheira, prendendo na torneira a guia fornecida (veja a figura). A ponta solta do tubo de descarga não deve permanecer emergida na água.

! É desaconselhado empregar tubos de extensão; mas se for indispensável, a extensão deve ter o mesmo diâmetro do tubo original e não medir mais de 150 cm de comprimento.

Ligação eléctrica

Antes de ligar a ficha na tomada eléctrica, certifique-se que:

- a tomada tenha uma ligação à terra e seja nos termos da legislação;
- a tomada tenha a capacidade para suportar a carga máxima de potência da máquina, indicada na tabela dos Dados técnicos (veja ao lado);
- a tensão de alimentação seja entre os valores indicados na tabela dos Dados técnicos (veja ao lado);
- a tomada seja compatível com a ficha da máquina de lavar roupa. Se não for, substitua a tomada ou a ficha.

! Esta máquina de lavar roupa não deve ser instalada ao aberto, nem mesmo abrigada, porque é muito perigoso deixá-la exposta à chuva e às tempestades.

! Depois de ter instalado a máquina de lavar roupa, o acesso à tomada eléctrica deve ser fácil.

! Não empregue extensões nem fichas múltiplas.

! O cabo não deve ser dobrado nem apertado.

! O cabo de alimentação deve ser substituído somente por técnicos autorizados.

Atenção! O fabricante declina toda a responsabilidade se estas regras não forem respeitadas.

Primeiro ciclo de lavagem

Depois da instalação, antes de usar, efectue um ciclo de lavagem com detergente mas sem roupa, defina o programa "Auto Limpeza" (veja "Limpar a máquina de lavar roupa").

Dados técnicos	
Modelo	WMD 1044
Medidas	largura 59,5 cm. altura 85 cm. profundidade 60,5 cm.
Capacidade	de 1 a 10 kg.
Ligações eléctricas	Veja a placa das características técnicas colocada na máquina.
Ligações hídricas	pressão máxima 1 MPa (10 bars) pressão mínima 0,05 MPa (0,5 bar) capacidade do tambor 71 litros
Velocidade da centrifugação	até 1400 rotações por minuto
Programas de controlo conforme as directivas 1061/2010 e 1015/2010	programa ◻ (60°) (1ª pressão da tecla); Algodão Normal 60°C. programa ◻ (40°) (2ª pressão da tecla); Algodão Normal 40°C.
	Esta aparelhagem é em conformidade com as seguintes Directivas Comunitárias:
	- 2004/108/CE (Compatibilidade Electromagnética)
	- 2002/96/CE
	- 2006/95/CE (Baixa Tensão)

Manutenção e cuidados

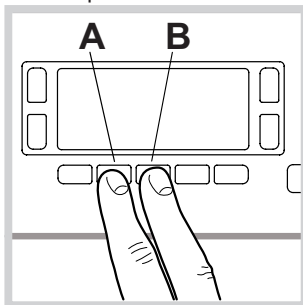
PT

Interromper a alimentação de água e de corrente eléctrica

- Feche a torneira da água depois de cada lavagem. Desta maneira diminuiu-se o desgaste do sistema hidráulico da máquina de lavar roupa e elimina-se o risco de inundação.
- Tire a ficha da tomada eléctrica quando for limpar a máquina de lavar roupa e durante os trabalhos de manutenção.

Limpar a máquina de lavar roupa

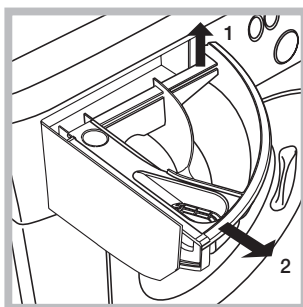
- A parte externa e as peças em borracha podem ser limpas com um pano molhado com água morna e sabão. Não empregue solventes nem abrasivos.
- A máquina de lavar roupa dispõe de um programa de **“Auto Limpeza”** das suas partes internas que deve ser efectuado sem carga alguma dentro do tambor. O detergente (na quantidade equivalente ao 10% daquela recomendada para peças pouco sujas) ou aditivos específicos para a limpeza da máquina de lavar roupa, poderão ser utilizados como coadjuvantes no programa de lavagem. Recomenda-se efectuar o programa de limpeza a cada 40 ciclos de lavagem.



Para activar o programa, pressione contemporaneamente as teclas **A** e **B** por 5 segundos (ver figura). O programa iniciará automaticamente e terá uma duração de aproximadamente 70 minutos. Para terminar o ciclo, carregar

no botão START/PAUSE button.

Limpar a gaveta dos detergentes



Para tirar a gaveta, erga-a e puxe-a para fora (veja a figura). Lave-a com água corrente; esta limpeza deve ser efectuada frequentemente.

Cuidados com a porta de vidro e o tambor

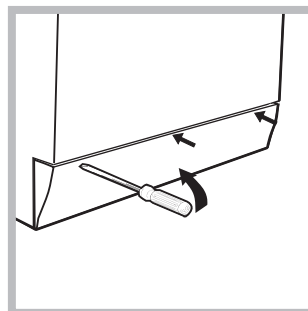
- Deixe a porta sempre entreaberta para evitar que se formem odores desagradáveis.

Limpar a bomba

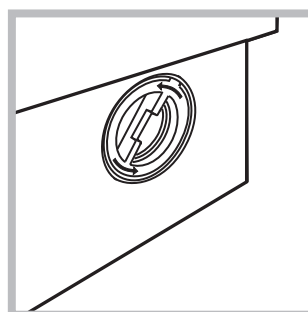
Esta máquina de lavar roupa é equipada com uma bomba com limpeza automática que não precisa de operações de manutenção. Entretanto pode acontecer que pequenos objectos (moedinhas, botões) caiam na pré-câmara que protege a bomba, situada na parte inferior da mesma.

! Certifique-se que o ciclo de lavagem tenha terminado e tire a ficha da tomada.

Para obter acesso à pré-câmara:



1. remova o painel de cobertura no lado anterior da máquina empurrando para o centro, em seguida empurre para baixo de ambos os lados e remova-o (veja as figuras).



2. desenrosque a tampa girando-a no sentido anti-horário (veja a figura). é normal que perca um pouco de água;

3. limpe o interior com cuidado;
4. enrosque outra vez a tampa;
5. monte outra vez o painel, certifique-se, antes de empurrá-la na máquina, que os ganchos foram colocados nas respectivas ranhuras.

Verificar o tubo de alimentação de água

Verifique o tubo de alimentação pelo menos uma vez por ano. Se houver rachaduras ou fendas, será necessário substituí-lo: durante as lavagens as fortes pressões podem provocar repentinas quebras.

! Nunca utilize tubos já usados.

Precauções e conselhos

! Esta máquina de lavar roupa foi projectada e fabricada em conformidade com os regulamentos internacionais de segurança. Estas advertências são fornecidas por razões de segurança e devem ser lidas com atenção.

Segurança geral

- O aparelho não deve ser utilizado por pessoas (incluindo crianças) com capacidades físicas, sensoriais ou mentais reduzidas ou sem experiência e conhecimentos, salvo se supervisionadas ou se tiverem recebido instruções sobre a utilização do dispositivo por parte de uma pessoa responsável pela sua segurança. As crianças devem ser mantidas sob vigilância para evitar que brinquem com a máquina.
- Este aparelho foi projectado exclusivamente para um uso doméstico.
- Não toque na máquina com os pés descalços nem com as mãos ou os pés molhados ou húmidos.
- Não puxe o cabo eléctrico para tirar a ficha da tomada, pegue a ficha mesmo.
- Não abra a gaveta dos detergentes enquanto a máquina estiver a funcionar.
- Não toque a água de descarga, que poderá chegar a temperaturas altas.
- Em nenhum caso force a porta para abri-la: poderá danificar o mecanismo de segurança que a protege contra aberturas acidentais.
- Se houver avarias, em nenhum caso mexa nos mecanismos internos para tentar reparar.
- Verifique sempre que criança não se aproximem da máquina a funcionar.
- Durante a lavagem a porta de vidro tende a aquecer-se.
- Se for preciso deslocá-la, são precisas pelo menos duas ou três pessoas, com a máxima atenção. Nunca sozinho porque a máquina é muito pesada.
- Antes de colocar a roupa verifique que o tambor esteja vazio.

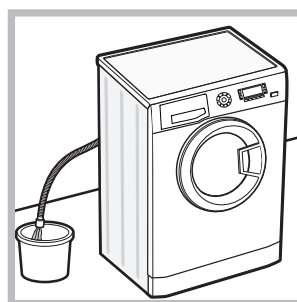
Eliminação

- Eliminação do material de embalagem: obedeça os regulamentos locais, de maneira que as embalagens possam ser reutilizadas.
- A directiva Europeia 2002/96/CE referente à gestão de resíduos de aparelhos eléctricos e electrónicos, prevê que os electrodomésticos não devem ser escoados no fluxo normal dos resíduos sólidos urbanos. Os aparelhos desactualizados devem ser recolhidos separadamente para otimizar a taxa de recuperação e reciclagem dos materiais que os compõem e impedir potenciais danos para a saúde humana e para o ambiente. O símbolo constituído por um contentor de lixo barrado com uma cruz deve ser colocado em todos os produtos por forma a recordar a obrigatoriedade de recolha separada.

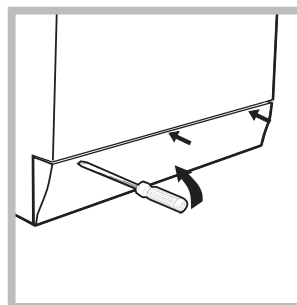
Os consumidores devem contactar as autoridades locais ou os pontos de venda para solicitar informação referente ao local apropriado onde devem depositar os electrodomésticos velhos.

Abertura manual da porta de vidro

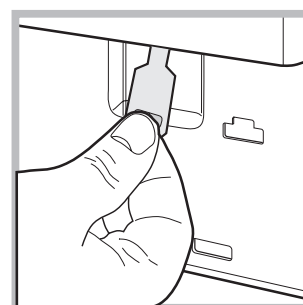
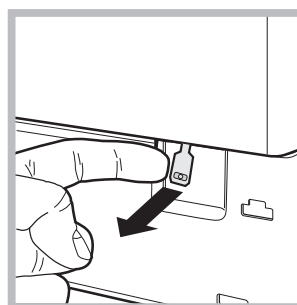
Caso não seja possível abrir a porta de vidro por falta de energia eléctrica e quiser pendurar a roupa lavada, proceda da seguinte maneira:



1. tire a ficha da tomada de corrente.
2. verifique que o nível de água no interior da máquina seja inferior respeito à abertura da porta de vidro; caso contrário, tire a água em excesso através do tubo de descarga recolhendo-a num balde como indicado na figura.



3. tire o painel de cobertura da parte dianteira da máquina de lavar roupa com ajuda de uma chave de fendas (veja a figura).



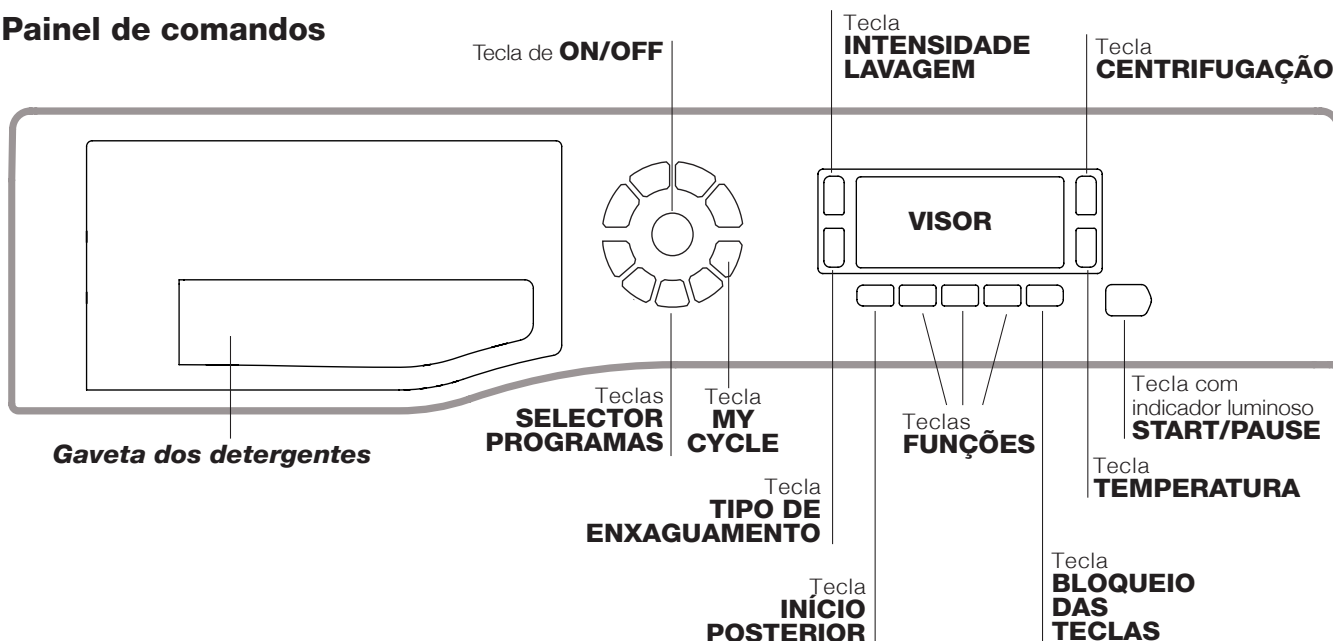
4. utilizando a lingueta indicada na figura, puxe para o exterior até liberar o tirante de plástico do fecho; puxá-lo sucessivamente para baixo e contemporaneamente abrir a porta.

5. monte outra vez o painel, certifique-se, antes de empurrá-la na máquina, que os ganchos foram colocados nas respectivas ranhuras.


Descrição da máquina de lavar roupa

PT

Painel de comandos



Gaveta dos detergentes: para colocar detergentes e aditivos (veja "Detergentes e roupa").

Tecla **ON/OFF** : carregue brevemente na tecla para ligar ou desligar a máquina. O indicador luminoso START/PAUSE que pisca lentamente com a cor verde, indica que a máquina está ligada. Para desligar a máquina de lavar roupa durante a lavagem, é necessário manter pressionada a tecla por mais tempo, aproximadamente 3 segundos; uma pressão breve ou acidental não anulará o funcionamento da máquina. O desligar a máquina durante uma lavagem em curso anula a própria lavagem.

Teclas **SELECTOR PROGRAMAS**: para seleccionar o programa desejado (veja a "Tabela dos programas").

Tecla **MY CYCLE**: manter pressionado a tecla para memorizar um ciclo e as próprias personalizações preferidas. Para activar um ciclo previamente memorizado, pressionar a tecla MY CYCLE.



Teclas **FUNÇÃO**: carregue na tecla para seleccionar a função desejada. No visor acender-se-á o respectivo indicador luminoso.

Tecla **INTENSIDADE LAVAGEM** : pressione para seleccionar a intensidade de lavagem desejada.


Tecla **TIPO DE ENXAGUAMENTO** : pressione para seleccionar o tipo de enxaguamento desejado.

Tecla **CENTRIFUGAÇÃO** : pressionar para reduzir ou excluir completamente a centrifugação - o valor é indicado no visor.

Tecla **TEMPERATURA** : pressionar para reduzir a temperatura: o valor é indicado no visor.

Tecla **BLOQUEIO DAS TECLAS** : para activar o bloqueio do painel de comandos, manter pressionada a tecla durante aproximadamente 2 segundos. O símbolo  aceso indica que o painel de comandos está bloqueado. Deste modo, impedem-se modificações acidentais dos programas, sobretudo se houver crianças em casa. Para desactivar o bloqueio do painel de comandos, mantenha pressionada a tecla durante aproximadamente 2 segundos.

Tecla **INÍCIO POSTERIOR** : pressionar para programar um início atrasado do programa escolhido. O atraso é indicado no visor.

Tasto com indicador luminoso **START/PAUSE**: quando o indicador luminoso verde, acender intermitentemente, carregue na tecla para iniciar uma lavagem. Quando o ciclo iniciar, o indicador permanecerá aceso fixo. Para colocar em pausa a lavagem, carregar novamente no botão; o indicador ficará intermitente com uma luz laranja. Se o símbolo  não estiver iluminado, será possível abrir a porta de vidro. Para fazer iniciar a lavagem do ponto em que foi interrompida, carregar novamente na tecla.

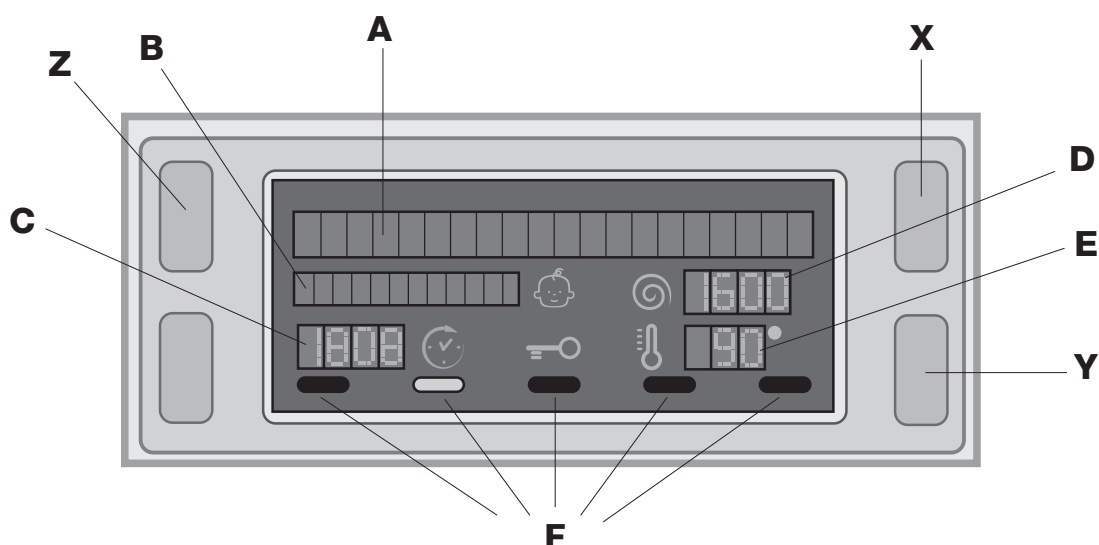
Modalidade de Stand by

Esta máquina de lavar roupa, em conformidade com as novas normas sobre a economia energética, dispõe de um sistema de desligação automática (stand by) que entra em função aproximadamente 30 minutos depois, no caso de inutilização. Carregue brevemente no botão ON/OFF e aguarde até a reactivação da máquina.

Consumo em off-mode: 0,5 W

Consumo em Left-on: 0,5 W

Visor



O visor é útil para programar a máquina e fornece muitas informações.

Nas duas cadeias de caracteres superiores **A** e **B**, são visualizados o programa de lavagem seleccionado, a fase de lavagem em curso e todas as indicações relativas ao estado de avanço do programa.

Na cadeia **C** é visualizado o tempo restante para o fim do ciclo de lavagem em curso e caso tenha sido programado um INÍCIO POSTERIOR, o tempo restante para o início do programa seleccionado.

Na cadeia **D** é visualizado o valor máximo da velocidade de centrifugação que a máquina pode efectuar conforme o programa seleccionado; se o programa não prever a centrifugação a cadeia ficará apagada.

Na cadeia **E** é visualizado o valor máximo da temperatura que pode ser seleccionado conforme o programa seleccionado; se o programa não prever a configuração da temperatura, a cadeia ficará apagada.

Os indicadores luminosos **F** são relativos às funções e acendem-se quanto a função seleccionada for compatível com o programa seleccionado.

Símbolo **Porta bloqueada**

O símbolo aceso indica que a porta está bloqueada para impedir a sua abertura. Para evitar danos é necessário aguardar que o símbolo se apague antes de abrir a porta de vidro.

Obs.: se estiver activa a função INÍCIO POSTERIOR a porta não poderá ser aberta, para abrir, colocar a máquina em pausa carregando na tecla START/PAUSE.


! Na primeira utilização, será pedida a selecção do idioma e o visor entrará automaticamente no menu de selecção do idioma.





Para escolher o idioma desejado carregue nas teclas **X** e **Y**, para confirmar a escolha, carregue na tecla **Z**.


Se desejar modificar o idioma, desligue a máquina, pressione **contemporaneamente** as teclas **X**, **Y**, **Z** até ouvir um sinal acústico, será visualizado novamente o menu de selecção do idioma.



Como efectuar um ciclo de lavagem


PT

1. **LIGAR A MÁQUINA.** Carregue no botão ; no visor aparecerá a escrita LIGAÇÃO EM CURSO; o indicador luminoso START/PAUSE irá piscar lentamente com a cor verde.
2. **COLOCAR A ROUPA.** Abrir a porta de vidro. Coloque a roupa dentro da máquina prestando atenção para não superar a carga máxima indicada na tabela dos programas na página seguinte.
3. **DOSAGEM DO DETERGENTE.** Extrair a gaveta e deitar o detergente nos específicos recipientes como explicado no parágrafo "Detergentes e roupa".
4. **FECHAR A PORTA DE VIDRO.**
5. **ESCOLHA DE PROGRAMA.** Carregue numa das teclas do SELECTOR PROGRAMAS para seleccionar o programa desejado; o nome do programa aparecerá no visor; será associada uma temperatura e uma velocidade de centrifugação que podem ser modificadas. No visor aparecerá a duração do ciclo.
6. **PERSONALIZAR O CICLO DE LAVAGEM.** Utilizar as específicas teclas:


  **Modificar a temperatura e/ou a centrifugação.** A máquina selecciona automaticamente a temperatura e a centrifugação máximas para o programa seleccionado e portanto não podem ser aumentadas. Carregando no botão  pode-se reduzir a temperatura progressivamente até a lavagem a frio "OFF". Carregando no botão  pode-se reduzir a centrifugação progressivamente até a sua exclusão "OFF". Uma nova pressão dos botões colocará os valores novamente nos máximos previstos.


! Excepção: seleccionando o programa  (60°) (1ª pressão da tecla) a temperatura pode ser aumentada até a 90°.

 **Programar um início posterior.** Para programar o início atrasado do programa escolhido, carregue no botão respectivo até alcançar o tempo de atraso desejado. Quando esta opção estiver activa, no visor aparecerá o símbolo . Para cancelar o início posterior, carregue no botão até que no visor apareça a escrita OFF.

Configurar a intensidade de lavagem desejada. A opção  permite otimizar a lavagem conforme o grau de sujidade dos tecidos e à intensidade de lavagem desejada.


Seleccionar o programa de lavagem, o ciclo será configurado automaticamente no nível "Normal", otimizado para peças mediamente sujas (configuração não válida para o ciclo "Lã" que configura-se automaticamente no nível "Delicado").

Para peças muito sujas, pressione a tecla  até chegar ao nível "Super lavagem". Este nível garante uma lavagem de alto desempenho, graças ao uso de uma maior quantidade de água na fase inicial do ciclo e a uma maior movimentação mecânica, útil para eliminar as manchas mais resistentes. Pode ser utilizada **com** ou **sem** lixívia. Se quiser efectuar o branqueamento, coloque o recipiente adicional 4, fornecido com o produto, no recipiente 1. Quando deitar a lixívia, não ultrapasse o nível "máx" indicado no pino central (veja a figura da pág. 46).

Para peças pouco sujas ou para um tratamento mais delicado dos tecidos, pressione a tecla  até alcançar o nível "Delicado".

O ciclo reduzirá a movimentação mecânica para garantir resultados de lavagem perfeitos para as peças delicadas.

Configurar o tipo de enxaguamento.

A opção  permite seleccionar o tipo de enxaguamento desejado para o máximo cuidado das peles sensíveis. Com a primeira pressão da tecla, é configurado o nível "Enxaguamento Extra" que permite seleccionar um enxaguamento adicional além daquelas normais do ciclo, para eliminar todos os restos de detergente. Com a segunda pressão da tecla é configurado o nível "Peles Sensíveis" que permite seleccionar dois enxaguamentos adicionais além daqueles normais do ciclo e é recomendado para as peles mais sensíveis. Com a terceira pressão da tecla é configurado o nível "Antialérgico" que permite seleccionar três enxaguamentos adicionais além daquelas normais do ciclo, para remover os principais alérgenos como pólen, ácaros, pelos de gato e cão. Pressione novamente a tecla para voltar ao tipo de enxaguamento "Enxaguamento Normal". Se não for possível configurar ou modificar a regulação existente, no display aparecerá a mensagem "Não admitido".




Modificar as características do ciclo.


- Pressionar o botão para activar a função; o indicador luminoso correspondente ao botão irá acender-se.
- Pressionar novamente o botão para desactivar a função; o indicador luminoso apagar-se-á.

! Se a função seleccionada não for compatível com o programa definido, o indicador luminoso ficará intermitente e a função não será activada.

! Se a função seleccionada não for compatível com uma outra programada anteriormente, o indicador luminoso relativo à primeira função seleccionada irá piscar e será activada somente a segunda, o indicador luminoso da função activada acender-se-á.

! As funções podem variar a carga recomendada e/ou a duração do ciclo.

7. **INICIAR O PROGRAMA.** Carregar no botão START/PAUSE. O respectivo indicador luminoso ficará verde e a porta de vidro irá bloquear-se (símbolo PORTA DE VIDRO BLOQUEADA  aceso). Durante a lavagem, o visor mostrará o nome da fase em curso. Para modificar um programa durante a realização de um ciclo, colocar a máquina de lavar roupa em pausa carregando na tecla START/PAUSE (o indicador luminoso START/PAUSE irá piscar lentamente com a cor laranja); seleccionar então o ciclo desejado e carregar novamente no botão START/PAUSE. Para abrir a porta durante a realização de um ciclo, carregar no botão START/PAUSE; se o símbolo PORTA DE VIDRO BLOQUEADA  estiver apagado será possível abrir a porta. Carregar novamente no botão START/PAUSE para fazer iniciar o programa do ponto em que foi interrompido.
8. **FIM DO PROGRAMA.** É indicado pela escrita "FIM DO CICLO" no visor, quando o símbolo PORTA BLOQUEADA  apagar será possível abrir a porta. Abrir a porta, retirar a roupa e desligar a máquina.

! Se desejar anular um ciclo já iniciado, carregue por alguns segundos na tecla . O ciclo será interrompido e a máquina desligar-se-á.

Programas e funções

Tabela dos programas

Programas	Descrição do Programa	Temp. max. (°C)	Velocidade max. (rotações por minuto)	Detergentes				Carga max. (Kg)	Humidade residual %	Consumo de energia kWh	Água total lt	Duração ciclo
				Pré-lavagem	Lavagem	Lixívia	Amaciador					
	Antimancha	40°	1400	●	●	-	●	6	-	-	-	190'
	Algodão Normal 60° (1ª pressão da tecla) (1): brancos e coloridos resistentes muito sujos.	60° (Max. 90°)	1400	● (3)	●	●	●	10	53	1,09	85	210'
	Algodão Normal 40° (2ª pressão da tecla) (2): brancos e coloridos delicados pouco sujos.	40°	1400	-	●	●	●	10	53	1,09	92	185'
	Algodão Normal 20° (3ª pressão da tecla): brancos e coloridos delicados pouco sujos.	20°	1400	-	●	●	●	10	-	-	-	175'
	Sintéticos Resistentes (1ª pressão da tecla): coloridos resistentes muito sujos.	60°	800	●	●	●	●	5,5	48	0,99	57	120'
	Sintéticos Resistentes (4) (1ª pressão da tecla): coloridos resistentes pouco sujos.	40°	800	●	●	●	●	5,5	48	0,63	55	100'
	Sintéticos Delicados (2ª pressão da tecla): coloridos delicados pouco sujos.	40°	800	●	●	●	●	5,5	-	-	-	80'
	Rápido 60' (1ª pressão da tecla) : para refrescar rapidamente roupas sujas (não é indicado para lã, seda e roupas que deve ser lavadas à mão).	60°	1400	-	●	-	●	4	53	0,54	57	60'
	Rápido 30' (2ª pressão da tecla) : para refrescar rapidamente roupas levemente sujas (não é indicado para lã, seda e roupas que deve ser lavadas à mão).	30°	800	-	●	-	●	4	71	0,21	41	30'
M	My Cycle (Memo): possibilita guardar na memória qualquer tipo de lavagem.											
	Roupa de 7 dias (3): roupa de banho e de cama.	60°	1400	●	●	-	●	10	-	-	-	155'
	Woolmark Platina (Lã): para lã, cashmere, etc.	40°	800	-	●	-	●	2,5	-	-	-	100'
	Delicados	30°	0	-	●	-	●	1	-	-	-	80'
	Centrifugação (1ª pressão da tecla).	-	1400	-	-	-	-	10	-	-	-	16'
	Enxaguamento (2ª pressão da tecla).	-	1400	-	-	-	●	10	-	-	-	49'
	Descarga (3ª pressão da tecla).	-	0	-	-	-	-	10	-	-	-	2'

A duração do ciclo indicada no visor ou no manual é uma estimativa calculada com base nas condições padrão. O tempo efectivo poderá variar a depender de vários factores, tais como a temperatura e a pressão da água em entrada, a temperatura ambiental, a quantidade de detergente, a quantidade e o tipo de carga, o balanceamento da carga e as opções adicionais seleccionadas.

Para todos Test Institutes:

1) Programa de controlo segundo a directiva 1061/2010: configurar o programa 60°C (1ª pressão da tecla).

Este ciclo é adaptado para lavar uma carga de algodão normalmente suja e é o mais eficiente em termos de consumo combinado de energia e de água, para lavar a 60°C. A temperatura efectiva de lavagem pode ser diferente daquela indicada.

2) Programa de controlo segundo a directiva 1061/2010: configurar o programa 40°C (2ª pressão da tecla).

Este ciclo é adaptado para lavar uma carga de algodão normalmente suja e é o mais eficiente em termos de consumo combinado de energia e de água, para lavar a 40°C. A temperatura efectiva de lavagem pode ser diferente daquela indicada.

3) A temperatura de 60 °C, a função de “Pré-lavagem” não pode ser activada.

Para todos Test Institutes:

2) Programa longo para algodão: configurar o programa 40°C (2ª pressão da tecla).

4) Programa longo para sintético: configurar o programa a 60°C (1ª pressão da tecla); temperatura de 40°C (pressione a tecla TEMPERATURA).

Funções de lavagem

Pré-lavagem

Seleccionando esta função efectua-se a pré-lavagem, útil para remover manchas resistentes.

Obs.: Acrescentar o detergente no específico compartimento.

! Não pode ser activada nos programas , , , , , , , (60°), (40°), (20°).

Engomar fácil

Seleccionando esta função, a lavagem e a centrifugação serão oportunamente modificadas para reduzir a formação de rugas. No fim do ciclo, a máquina de lavar roupa efectuará rotações lentas do tambor; o indicador luminoso da função ENGOMAR FÁCIL ficará intermitente e no visor aparecerá a escrita “FIM DO CICLO”. Para terminar o ciclo, carregar no botão START/PAUSE ou na tecla ENGOMAR FÁCIL.

! Não pode ser activada nos programas , “Rápido 30’”, , , , .

Eco wash

A função Eco Wash contribui com a economia energética não aquecendo a água utilizada para lavar a roupa – uma vantagem tanto para o ambiente, quanto para a factura da energia eléctrica. Com efeito, a acção reforçada e o consumo óptimo da água garantem excelentes resultados na mesma duração média de um ciclo padrão. Para obter os melhores resultados de lavagem, aconselha-se o uso de detergente líquido.

! Não pode ser activada nos programas , , , , , , , , .

Detergentes e roupa

PT

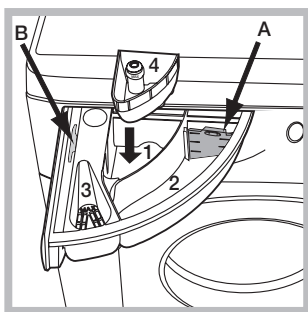
Gaveta dos detergentes

O bom resultado da lavagem depende também do emprego da dose certa de detergente: com excessos não se lava de maneira mais eficaz, mas contribui-se para formar crostas nas peças internas da máquina de lavar roupa e poluir o meio ambiente.

! Usar detergentes em pó para roupas de algodão brancas e para a pré-lavagem e para lavagens com temperatura superior aos 60°C.

! Seguir as indicações fornecidas pelo produtor na embalagem do detergente.

! Não use detergentes para lavagem à mão, porque formam espuma demais.



Tire a gaveta dos detergentes e deite o detergente ou o aditivo da seguinte maneira:

Gaveta 1: Detergente para pré-lavagem (em pó)

Antes de deitar detergente verifique se está colocada a gaveta adicional 4.

Gaveta 2: Detergente para lavagem (em pó ou líquido)

No caso do uso de detergente líquido, aconselha-se usar o recipiente **A** fornecido com o aparelho para uma correcta dosagem. Para o uso do detergente em pó, coloque o recipiente na cavidade **B**.

Gaveta 3: Aditivos (para amaciar etc.)

O aditivo para amaciar não deve ultrapassar a grade.

gaveta adicional 4: Água de Javel

Preparar a roupa

- Divida a roupa em função:
 - do tipo de tecido / do símbolo na etiqueta.
 - das cores: separe as peças coloridas das brancas.
- Esvazie as algibeiras e verifique se há botões soltos.
- Não ultrapasse os valores indicados que se referem ao peso da roupa enxuta: veja a "Tabela dos programas".

Quanto pesa a roupa?

- 1 lençol 400 - 500 g.
- 1 fronha 150 - 200 g.
- 1 toalha de mesa 400 - 500 g.
- 1 roupão 900 - 1200 g.
- 1 toalha de rosto 150 - 250 g.

Programas especiais

Antimanchas: o programa é adequado à lavagem de peças muito sujas com cores resistentes. O programa garante uma classe de lavagem superior à classe padrão (classe A). Não misture roupas de cor diferente com este programa. Aconselhamos a utilização de detergente em pó. Para manchas resistentes recomenda-se pré-tratamento com aditivos específicos.

Algodão normal 20°C ideal para cargas de algodão sujas. Os bons desempenhos mesmo a frio, comparáveis a uma lavagem a 40°, são garantidos por uma acção mecânica que trabalha com alterações de velocidade em picos repetidos e aproximados.

Roupa de banho e de cama: para lavar toda a roupa de banho e de cama com um único ciclo, utilize o programa que otimiza o uso do amaciador e consente uma economia de tempo e energia. Aconselhamos a utilização de detergente em pó.

Lã: o ciclo de lavagem "Lã" desta máquina de lavar roupa Hotpoint-Ariston foi testado e aprovado pela Woolmark Company para a lavagem de vestuário em lã classificado como "lavável à mão", desde que a lavagem seja executada de acordo com as instruções indicadas na etiqueta da peça e com as indicações fornecidas pelo produtor do electrodoméstico. Hotpoint-Ariston é a primeira marca de máquinas de lavar roupa a obter a certificação Woolmark Apparel Care - Platinum da Woolmark Company pelo seu desempenho de lavagem e consumo de água e energia. (M1135)



Delicados: utilize o programa para a lavagem de peças muito delicadas, que possuem aplicações como aplicações ou brilhantes.

Para a lavagem de peças de **seda** e **cortinas**, seleccionar o ciclo e configurar o nível "Delicado" da opção .

Recomenda-se virar do avesso as roupas antes de lavá-las e colocar as peças pequenas no saquinho específico para a lavagem das peças delicadas.

Para obter melhores resultados, recomenda-se o uso de detergente líquido para peças delicadas.

Sistema de balanceamento da carga

Antes de cada centrifugação, para evitar vibrações excessivas e para distribuir a carga em modo uniforme, o tambor efectua algumas rotações a uma velocidade levemente superior àquela de lavagem. Se no fim de repetidas tentativas a carga ainda não estiver correctamente balanceada, a máquina efectuará a centrifugação com uma velocidade inferior àquela prevista. No caso de um excessivo desbalanceamento, a máquina de lavar roupa efectuará a distribuição ao invés da centrifugação. Para favorecer uma melhor distribuição da carga e o seu correcto balanceamento, aconselha-se misturar peças grandes com peças pequenas.

Anomalias e soluções

Pode acontecer que a máquina de lavar roupa não funcione. Antes de telefonar para a Assistência Técnica (veja “Assistência”), verifique se não se trata de um problema fácil de resolver com ajuda da seguinte lista.

Anomalias:

A máquina de lavar roupa não liga.

Possíveis causas / Solução:

- A ficha não está colocada na tomada eléctrica, ou não é suficiente para haver contacto.
- Em casa não há corrente.

O ciclo de lavagem não inicia.

- A porta de vidro não está bem fechada.
- O botão ON/OFF não foi pressionado.
- O botão START/PAUSE não foi pressionado.
- A torneira da água não está aberta.
- Foi programado um início posterior (veja as “Como efectuar um ciclo de lavagem”).

A máquina de lavar roupa não carrega a água (no visor aparecerá a escrita “FALTA ÁGUA, ABRIR TORNEIRA”).

- O tubo de alimentação de água não está ligado na torneira.
- O tubo está dobrado.
- A torneira da água não está aberta.
- Está a faltar água em casa.
- Não há suficiente pressão.
- O botão START/PAUSE não foi pressionado.

A máquina de lavar roupa carrega e descarrega água continuamente.

- O tubo de descarga não está instalado entre 65 e 100 cm de altura do chão (veja “Instalação”).
- A ponta do tubo de descarga está imersa na água (veja “Instalação”).
- Da descarga na parede não foi sangrado o ar.

Se depois destas verificações o problema não for resolvido, feche a torneira da água, desligue a máquina de lavar roupa e chame a assistência técnica. Se a morada encontrar-se nos últimos andares de um edifício, é possível que aconteçam fenómenos de sifão por causa dos quais a máquina de lavar roupa carrega e descarrega água continuamente. Para eliminar este inconveniente, há a disposição no comércio apropriadas válvulas contra o efeito sifão.

A máquina de lavar roupa não descarrega ou nem realiza centrifugação.

- No programa não há descarga: com alguns programas será necessário iniciar a descarga manualmente.
- Está activa a função ENGOMAR FÁCIL: para completar o programa mete na tecla START/PAUSE (veja as “Programas e funções”).
- O tubo de descarga está dobrado (veja “Instalação”).
- A conduta de descarga está entupida.

A máquina de lavar roupa vibra muito durante a centrifugação.

- O tambor, no momento da instalação, não foi liberado correctamente (veja “Instalação”).
- A máquina não está nivelada (veja “Instalação”).
- A máquina está apertada entre móveis e parede (veja “Instalação”).

Da máquina de lavar roupa está a perder água.

- O tubo de alimentação da água não está bem enroscado (veja “Instalação”).
- O gaveta dos detergentes está entupida (para limpá-la veja “Manutenção e cuidados”).
- O tubo de descarga não está fixado correctamente (veja “Instalação”).

A máquina está bloqueada, o visor pisca e sinaliza um código de anomalia (por ex.: F-01, F-..).

- Desligue a máquina e tire a ficha da tomada, aguarde aproximadamente 1 minuto e volte a ligá-la. Se a anomalia persistir, contacte a Assistência Técnica.

Está a formar-se demasiada espuma.

- O detergente não é específico para máquina de lavar roupa (deve haver a escrita “para máquina de lavar”, “à mão e para máquina de lavar” ou similares).
- A dose foi excessiva.

Assistência

PT

Antes de contactar a Assistência Técnica:

- Verifique se consegue resolver a anomalia sozinho (*veja "Anomalias e soluções"*);
- Reinicie o programa para verificar se o inconveniente foi resolvido;
- Em caso negativo, contacte a o Centro de Assistência técnica autorizada no número de telefone indicado no certificado de garantia.

! Nunca recorra a técnicos não autorizados.

Comunique:

- o tipo de anomalia;
- o modelo da máquina (Mod.);
- o número de série (S/N).

Estas informações encontram-se na placa colocada na parte traseira da máquina de lavar roupa e na parte anterior abrindo a porta de vidro.

DE

Deutsch

WMD 1044

INHALTSVERZEICHNIS

DE

Installation, 50-51

Auspacken und Aufstellen
Wasser- und Elektroanschlüsse
Erster Waschgang
Technische Daten

Reinigung und Pflege, 52

Abstellen der Wasser- und Stromversorgung
Reinigung des Gerätes
Reinigung der Waschmittelschublade
Pflege der Gerätetür und Trommel
Reinigung der Pumpe
Kontrolle des Wasserzulaufschlauchs

Vorsichtsmaßnahmen und Hinweise, 53

Allgemeine Sicherheit
Entsorgung
Manuelles Öffnen der Gerätetür

Beschreibung Ihres Waschvollautomaten, 54-55

Bedienblende
Display

Durchführung eines Waschprogramms, 56

Programme und Funktionen, 57

Programmtabelle
Waschfunktionen

Waschmittel und Wäsche, 58

Waschmittelschublade
Vorsortieren der Wäsche
Sonderprogramme
Unwuchtkontrollsystem

Störungen und Abhilfe, 59

Kundendienst, 60

Installation

DE

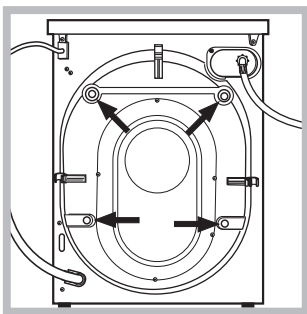
! Es ist äußerst wichtig, diese Bedienungsanleitung sorgfältig aufzubewahren, um sie jederzeit zu Rate ziehen zu können. Sorgen Sie dafür, dass sie im Falle eines Umzugs oder einer Übergabe an einen anderen Benutzer das Gerät stets begleitet, damit auch der neue Inhaber die Möglichkeit hat, diese zu Rate zu ziehen.

! Lesen Sie bitte folgende Hinweise aufmerksam durch: sie liefern wichtige Informationen hinsichtlich der Installation, des Gebrauchs und der Sicherheit.

Auspacken und Aufstellen

Auspacken

1. Gerät auspacken.
2. Sicherstellen, dass der Waschvollautomat keine Transportschäden erlitten hat. Schließen Sie das Gerät im Falle einer Beschädigung bitte nicht an und kontaktieren Sie Ihren Händler.



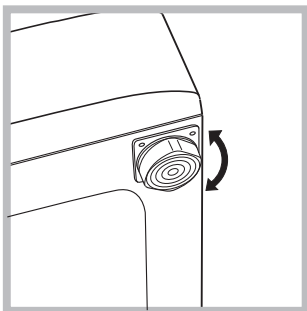
3. Die 4 Transport-schutzschrauben aus-schrauben und das an der Rückwand befindliche Gummitteil und das entsprechende Abstandsstück abnehmen (siehe Abbildung).

4. Die Löcher mittels der mitgelieferten Kunststoffstöpsel schließen.
5. Sämtliche Teile aufbewahren: Sollte der Waschvollautomat erneut transportiert werden müssen, müssen diese Teile wieder eingesetzt werden.

! Verpackungsmaterial ist kein Spielzeug für Kinder.

Nivellierung

1. Der Waschvollautomat muss auf einem ebenen, festen Untergrund aufgestellt werden, ohne diesen an Wände, Möbelteile oder ähnliches anzulehnen.



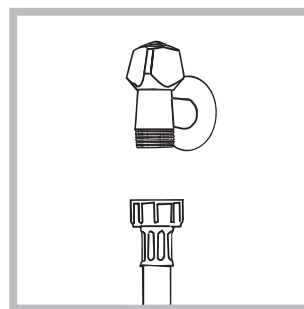
2. Sollte der Boden nicht perfekt eben sein, müssen die Unebenheiten durch An- bzw. Ausdrehen der vorderen Stellfüße ausgeglichen werden (siehe Abbildung), der auf der Arbeitsfläche zu ermittelnde Neigungsgrad darf 2°

nicht überschreiten.

Eine präzise Nivellierung verleiht dem Gerät die erforderliche Stabilität, durch die Vibrationen, Betriebsgeräusche und ein Verrücken des Gerätes vermieden werden. Bei Teppichböden müssen die Stellfüße so reguliert werden, dass ein ausreichender Freiraum zur Belüftung unter dem Waschvollautomaten gewährleistet ist.

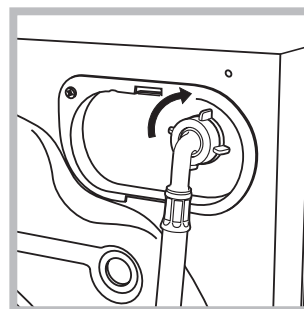
Wasser- und Elektroanschlüsse

Anschluss des Zulaufschlauches



1. Schrauben Sie den Wasserschlauch an einen Kaltwasserhahn mit $\frac{3}{4}$ -Zoll-Gewindeanschluss an (siehe Abbildung).

Lassen Sie das Wasser vor dem Anschluss so lange auslaufen, bis klares Wasser austritt.



2. Das andere Ende des Schlauches an den oben rechts am Rückteil des Waschvollautomaten befindlichen Wasseranschluss anschließen (siehe Abbildung).

3. Der Schlauch darf nicht eingeklemmt oder abgknickt werden.

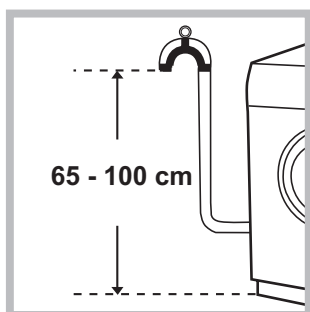
! Der Wasserdruck muss innerhalb der Werte liegen, die in der Tabelle der Technischen Daten angegeben sind (siehe nebenstehende Seite).

! Sollte der Zulaufschlauch nicht lang genug sein, dann wenden Sie sich bitte an einen Fachhändler oder an einen autorisierten Fachmann.

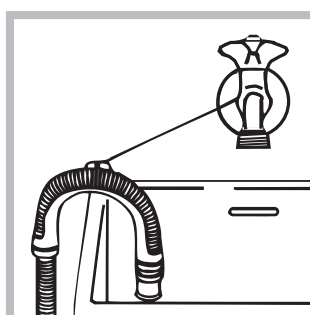
! Verwenden Sie niemals bereits gebrauchte Schläuche.

! Verwenden Sie die Schläuche, die mit dem Gerät geliefert wurden.

Anschluss des Ablaufschlauches



Schließen Sie den Ablaufschlauch, ohne ihn dabei zu knicken, an eine Ablaufleitung, oder an einen in der Wand, in einer Höhe von 65cm bis 100cm an;



oder hängen Sie diesen in ein Becken oder eine Wanne ein; befestigen Sie den Schlauch in diesem Falle mittels der mitgelieferten Führung an dem Wasserhahn (siehe Abbildung). Das freie Ablaufschlauchende darf

nicht unter Wasser bleiben.

! Verlängerungsschläuche sollten nicht eingesetzt werden, sollte dies jedoch absolut unvermeidlich sein, muss die Verlängerung denselben Durchmesser des Originalschlauchs aufweisen und darf eine Länge von 150 cm nicht überschreiten.

Elektroanschluss

Vor Einfügen des Netzsteckers in die Steckdose ist sicherzustellen, dass:

- die Steckdose über eine normgerechte Erdung verfügt;
- die Steckdose die in den Technischen Daten angegebenen Höchstlast des Gerätes trägt (siehe nebenstehende Tabelle);
- die Stromspannung den in den Technischen Daten angegebenen Werten entspricht (siehe nebenstehende Tabelle);
- die Steckdose mit dem Netzstecker des Waschvollautomaten kompatibel ist. Andernfalls muss der Netzstecker (oder die Steckdose) ersetzt werden.

! Der Waschvollautomat darf nicht im Freien installiert werden, auch nicht, wenn es sich um einen geschützten Platz handelt. Es ist gefährlich, das Gerät Gewittern und Unwettern auszusetzen.

! Die Steckdose muß jederzeit zugänglich sein.

! Verwenden Sie bitte keine Verlängerungen oder Mehrfachstecker.

! Das Netzkabel darf nicht gebogen bzw. eingeklemmt werden.



! Das Versorgungskabel darf nur durch autorisierte Fachkräfte ausgetauscht werden.

Achtung! Der Hersteller übernimmt keinerlei Haftung, sollten diese Vorschriften nicht genau beachtet werden.

Erster Waschgang

Lassen Sie nach der Installation bzw. vor erstmaligem Gebrauch erst einen Waschgang (mit Waschmittel) ohne Wäsche durchlaufen. Stellen Sie hierzu das Waschprogramm „AUTO REINIGEN“.

Technische Daten

Modell	WMD 1044
Abmessungen	Breite 59,5 cm Höhe 85 cm Tiefe 60,5 cm
Fassungsvermögen	1 bis 10 kg
Elektroanschlüsse	siehe das am Gerät befindliche Typenschild
Wasseranschlüsse	Höchstdruck 1 MPa (10 bar) Mindestdruck 0,05 MPa (0,5 bar) Trommelvolumen 71 Liter
Schleudertouren	bis zu 1400 U/min.
Prüfprogramme gemäß der Richtlinien 1061/2010 und 1015/2010	Programm (60°) (erster tastendruck); Baumwolle 60°C. Programm (40°) (zweiter tastendruck); Baumwolle 40°C.
 	Dieses Gerät entspricht den folgenden EG-Richtlinien: - 2004/108/CE (elektromagnetische Verträglichkeit) - 2002/96/CE - 2006/95/CE (Niederspannung)

Reinigung und Pflege

DE

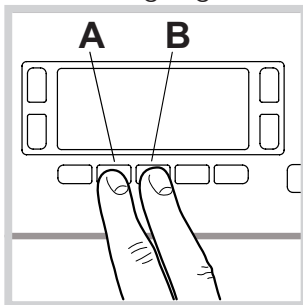
Abstellen der Wasser- und Stromversorgung

- Drehen Sie den Wasserhahn nach jedem Waschvorgang zu. Hierdurch wird der Verschleiß der Wasseranlage verringert und Wasserlecks vorgebeugt.
- Ziehen Sie den Netzstecker aus der Steckdose, bevor Sie Ihren Waschvollautomaten reinigen.

Reinigung des Gerätes

- Die Gehäuseteile und die Teile aus Gummi können mit einem mit warmer Spülmittellauge angefeuchteten Tuch gereinigt werden. Vermeiden Sie Löse- und Scheuermittel.
- Die Waschmaschine verfügt über ein „AUTO REINIGEN“-Programm der inneren Teile, das **gänzlich ohne Wäsche** durchgeführt werden muss.

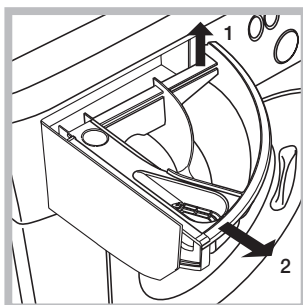
Als Hilfsmittel können bei diesem Waschgang Waschmittel (10 % von der für gering verschmutzte Kleidungsstücke empfohlenen Menge) oder spezifische Zusatzstoffe für die Reinigung von Waschmaschinen verwendet werden. Es wird empfohlen, das Reinigungsprogramm alle 40 Waschgänge durchzuführen.



Um das Programm zu aktivieren, drücken Sie fünf Sekunden lang gleichzeitig die Tasten **A** und **B** (siehe Abb.). Das Programm startet automatisch und dauert etwa 70 Minuten. Um den Zyklus anzuhalten, drücken

Sie die Taste START/PAUSE.

Reinigung der Waschmittelschublade



Heben Sie die Schublade leicht an und ziehen Sie sie nach vorne hin heraus (siehe Abbildung). Spülen Sie sie regelmäßig unter fließendem Wasser gründlich aus.

Pflege der Gerätetür und Trommel

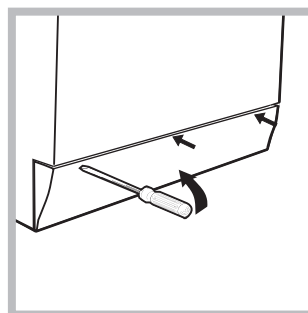
- Lassen Sie die Gerätetür stets leicht offen stehen, um die Bildung unangenehmer Gerüche zu vermeiden.

Reinigung der Pumpe

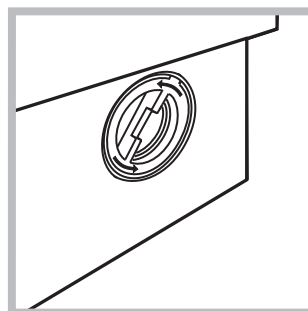
Ihr Gerät ist mit einer selbstreinigenden Pumpe ausgerüstet, eine Wartung ist demnach nicht erforderlich. Es könnte jedoch vorkommen, dass kleine Gegenstände (Münzen, Knöpfe) in die zum Schutz der Pumpe dienende Vorkammer (befindlich unter der Pumpe) fallen.

! Vergewissern Sie sich, dass der Waschgang abgeschlossen ist und ziehen Sie den Netzstecker heraus.

Zugang zur Vorkammer:



1. Nehmen Sie die Abdeckung (befindlich an der Gerätefront) mit Hilfe eines Schraubenziehers ab (siehe Abbildung);



2. Drehen Sie den Deckel gegen den Uhrzeigersinn ab (siehe Abbildung): es ist ganz normal, wenn etwas Wasser austritt;

3. Reinigen Sie das Innere gründlich;
4. Schrauben Sie den Deckel wieder auf;
5. Bringen Sie die Abdeckung wieder an. Stellen Sie hierbei sicher, dass die Haken in die Schlitze eingreifen, bevor Sie die Abdeckung fest andrücken.

Kontrolle des Wasserzulaufschlauchs

Kontrollieren Sie den Zulaufschlauch mindestens einmal im Jahr. Weist er Risse bzw. Brüche auf, muss er ausgetauscht werden. Der starke Druck während des Waschprogramms könnte zu plötzlichem Platzen führen.

! Verwenden Sie niemals bereits gebrauchte Schläuche.

Vorsichtsmaßnahmen und Hinweise

! Der Waschvollautomat wurde nach den strengsten internationalen Sicherheitsvorschriften entworfen und gebaut. Nachstehende Hinweise werden aus Sicherheitsgründen geliefert und sollten aufmerksam gelesen werden.

Allgemeine Sicherheit

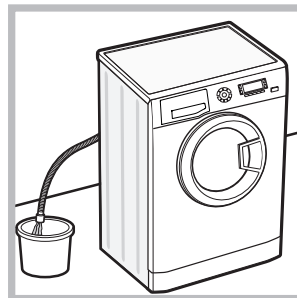
- Dieses Gerät wurde ausschließlich für den Einsatz im privaten Haushalt konzipiert.
- Dieses Gerät ist nicht zur Verwendung durch Personen (einschließlich Kinder) mit eingeschränkten körperlichen, geistigen oder sensorialen Fähigkeiten oder ohne ausreichende Erfahrung und Kenntnis geeignet, es sei denn, sie werden durch eine für ihre Sicherheit verantwortliche Person beaufsichtigt und eingewiesen. Kinder müssen beaufsichtigt werden, um sicherzustellen, dass sie nicht mit dem Gerät spielen.
- Der Waschvollautomat darf nur von Erwachsenen und gemäß den Anleitungen dieses Handbuchs bedient werden.
- Berühren Sie das Gerät nicht, wenn Sie barfuß sind, und auch nicht mit nassen oder feuchten Händen oder Füßen.
- Ziehen Sie den Gerätestecker nicht am Kabel aus der Steckdose, sondern nur am Netzstecker selbst.
- Öffnen Sie die Waschmittelschublade nicht, wenn das Gerät in Betrieb ist.
- Berühren Sie nicht das Ablaufwasser, es könnte sehr heiß sein.
- Öffnen Sie die Gerätetür nicht mit Gewalt: Der Sicherheits-Schließmechanismus könnte hierdurch beschädigt werden.
- Bei etwaigen Störungen versuchen Sie bitte nicht, Innenteile selbst zu reparieren.
- Halten Sie Kinder stets von dem in Betrieb befindlichen Gerät fern.
- Während des Waschgangs kann die Gerätetür sehr heiß werden.
- Muss das Gerät versetzt werden, sollten hierfür zwei oder drei Personen verfügbar sein. Versetzen Sie es niemals allein, das Gerät ist äußerst schwer.
- Bevor Sie die Wäsche einfüllen, stellen Sie bitte sicher, dass die Wäschetrommel leer ist.

Entsorgung

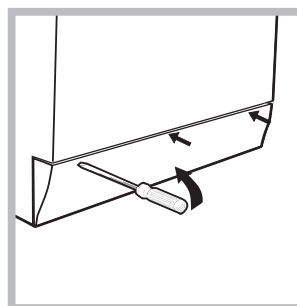
- Entsorgung des Verpackungsmaterials: Befolgen Sie die lokalen Vorschriften, Verpackungsmaterial kann wiederverwertet werden.
- Gemäß der Europäischen Richtlinie 2002/96/EC über Elektro- und Elektronik-Altgeräte dürfen Elektrohaushalts-Altgeräte nicht über den herkömmlichen Haushaltsmüllkreislauf entsorgt werden. Altgeräte müssen separat gesammelt werden, um die Wiederverwertung und das Recycling der beinhalteten Materialien zu optimieren und die Einflüsse auf die Umwelt und die Gesundheit zu reduzieren. Das Symbol „durchgestrichene Mülltonne“ auf jedem Produkt erinnert Sie an Ihre Verpflichtung, dass Elektrohaushaltsgeräte gesondert entsorgt werden müssen. Endverbraucher können sich an Abfallämter der Gemeinden wenden, um mehr Informationen über die korrekte Entsorgung ihrer Elektrohaushaltsgeräte zu erhalten.

Manuelles Öffnen der Gerätetür

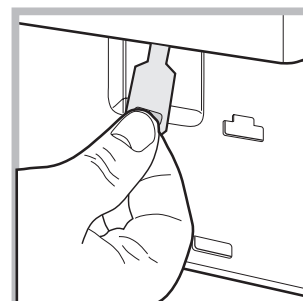
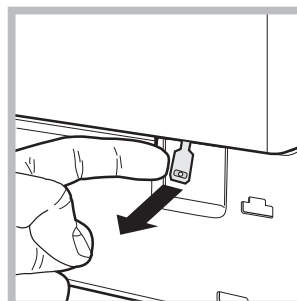
Sollte die Gerätetür aufgrund eines Stromausfalls nicht geöffnet werden können, gehen Sie wie folgt vor, um die Wäsche entnehmen und somit aufhängen zu können:



1. Ziehen Sie den Netzstecker aus der Steckdose.
2. Stellen Sie sicher, dass der Wasserstand im Innern des Gerätes die Gerätetür nicht übersteigt, andernfalls lassen Sie das überschüssige Wasser, so wie auf der *Abbildung* veranschaulicht, durch den Ablaufschlauch in einen Eimer ablaufen.



3. Nehmen Sie die Abdeckung (befindlich an der Gerätefront) mit Hilfe eines Schraubenziehers ab (*siehe Abbildung*).

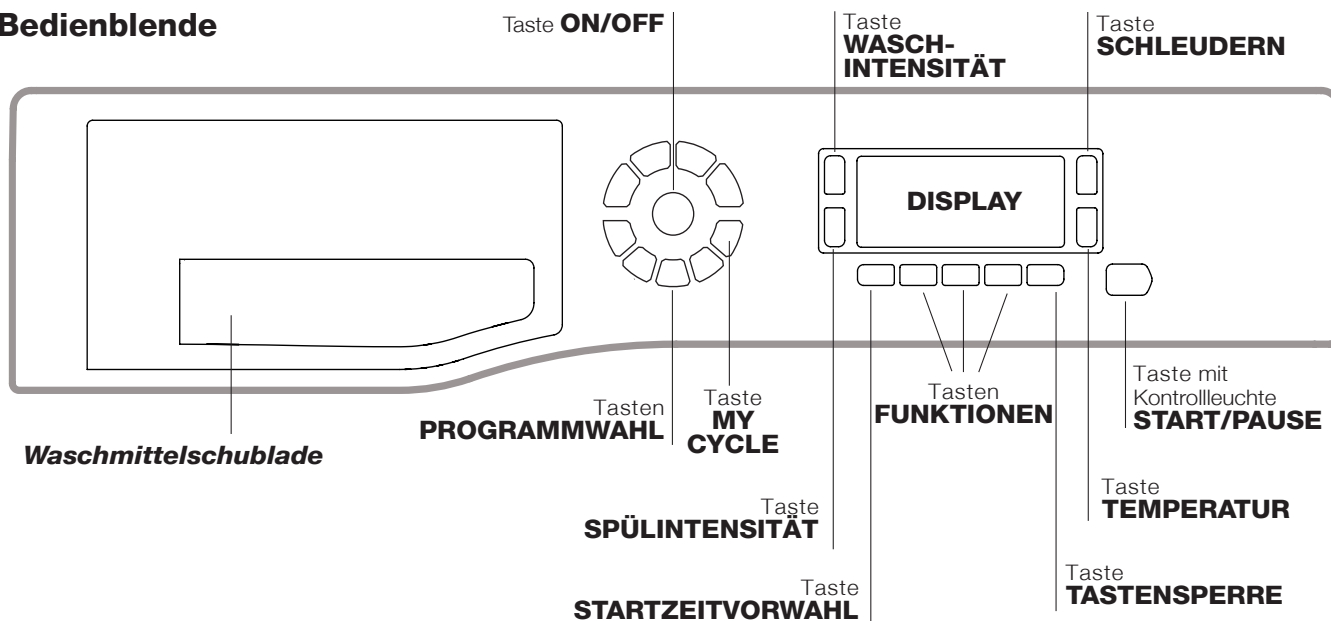


4. Befreien Sie mithilfe der auf der *Abbildung* veranschaulichten Zunge (nach vorne ziehen) die Kunststoff-Spannvorrichtung aus der Arretierung; ziehen Sie letztere dann nach unten und öffnen Sie gleichzeitig die Gerätetür.
5. Bringen Sie die Abdeckung wieder an. Stellen Sie hierbei sicher, dass die Haken in die Schlitze eingreifen, bevor Sie die Abdeckung fest andrücken.


Beschreibung Ihres Waschvollautomaten

DE

Bedienblende



Waschmittelschublade: für Waschmittel und Zusätze (siehe „Waschmittel und Wäsche“).

Taste ON/OFF : Drücken Sie kurz auf die Taste, um das Gerät ein- bzw. auszuschalten. Die Kontrollleuchte START/PAUSE, die langsam grün blinkt, zeigt an, dass das Gerät eingeschaltet ist. Um den Waschvollautomaten während eines Waschganges auszuschalten, muss die Taste etwas länger gedrückt werden (ca. 3 Sekunden); ein kurzer oder ein ungewollter Druck bewirkt kein Ausschalten des Gerätes. Das Ausschalten des Gerätes während eines laufenden Waschprogramms löscht den gesamten Waschzyklus.


Tasten PROGRAMMWAHL: zur Einstellung des gewünschten Programms (siehe „Programmtabelle“).

Taste MY CYCLE: Halten Sie die Taste gedrückt, um einen Waschzyklus und die gewünschten Individualisierungseinstellungen zu speichern. Um einen bereits gespeicherten Zyklus abzurufen, drücken Sie die Taste MY CYCLE.

Tasten FUNKTIONEN: Drücken Sie die Taste, um die gewünschte Funktion auszuwählen. Auf dem Display schaltet sich die entsprechende Kontrollleuchte ein.

Taste WASHINTENSITÄT : Drücken Sie diese Taste, um die gewünschte Waschintensität zu wählen.

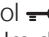
Taste SPÜLINTENSITÄT : Drücken Sie diese Taste, um die gewünschte Spülung auszuwählen.

Taste SCHLEUDERN : Drücken Sie die Taste, um die Schleudergeschwindigkeit herabzusetzen oder das Schleudern ganz auszuschließen. Der Wert wird auf dem Display angezeigt.

Taste TEMPERATUR : Drücken Sie die Taste, um die Temperatur herabzusetzen: Der Wert wird auf dem Display angezeigt.

Taste TASTENSPERRE : Zur **Aktivierung** der Sperre der Bedienblende halten Sie die Taste ca. 2 Sekunden lang gedrückt. Das eingeschaltete Symbol  zeigt an, dass die Bedienblende gesperrt ist (mit Ausnahme der Taste ON/OFF). Auf diese Weise wird verhindert, dass ein Programm aus Versehen geändert wird, vor allem, wenn kleine Kinder im Hause sind. Zur **Deaktivierung** der Sperre der Bedienblende halten Sie die Taste ca. 2 Sekunden lang gedrückt.

Taste STARTZEITVORWAHL : Zur Vorwahl der Startzeit des gewählten Programms drücken Sie bitte diese Taste. Die Zeitverzögerung wird auf dem Display angezeigt.

Taste mit Kontrollleuchte START/PAUSE: Sobald die grüne Kontrollleuchte auf langsames Blinklicht schaltet, drücken Sie die Taste, um den Waschgang zu starten. Nach Ingangsetzung des Programms schaltet die Kontrollleuchte auf Dauerlicht. Um den Waschgang zu unterbrechen, drücken Sie erneut die Taste; die Kontrollleuchte schaltet auf orangefarbenes Blinklicht. Wenn das Symbol  nicht leuchtet, kann die Gerätetür geöffnet werden. Um das Programm an der Stelle, an der es unterbrochen wurde, wieder in Gang zu setzen, drücken Sie die Taste erneut.

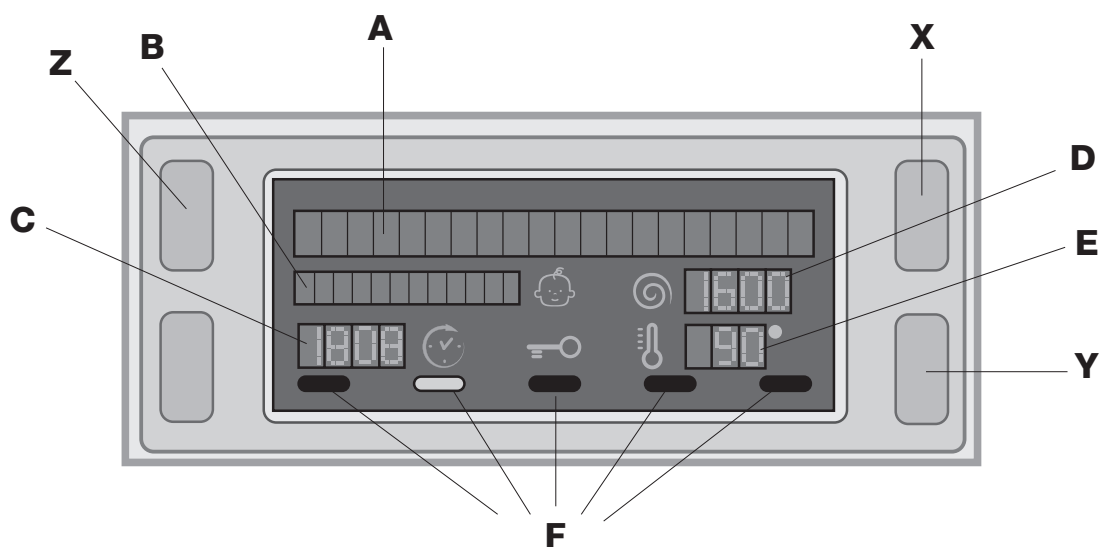
Funktion Standby

Zur Erfüllung der neuen Richtlinien zum Energieverbrauch ist diese Waschmaschine mit einem automatischen Ausschaltensystem (Standby) ausgestattet, das nach 30 Minuten des Nichtgebrauchs in Funktion tritt. Drücken Sie kurz die Taste ON/OFF und warten Sie, bis sich die Maschine wieder einschaltet.

Verbrauch in Off-Betrieb: 0,5 W

Verbrauch in Left-On: 0,5 W

Display



Das Display dient nicht nur zur Programmierung des Gerätes, sondern liefert auch zahlreiche Informationen.

In den beiden oberen Zeilenreihen **A** und **B** werden das ausgewählte Waschprogramm, die laufende Waschphase und alle Angaben zum Programmfortschritt angezeigt.

In der Zeilenreihe **C** werden die Restzeit bis zum Ende des laufenden Waschvorgangs und bei Einstellung einer STARTZEITVORWAHL die bis zum Start des ausgewählten Programms verbleibende Zeit angezeigt.

In der Zeilenreihe **D** wird der Höchstwert der Schleudergeschwindigkeit angezeigt, die das Gerät für das eingestellte Programm zulässt; wenn das Programm keinen Schleudervorgang vorsieht, bleibt die Zeilenreihe ausgeschaltet.

In der Zeilenreihe **E** wird der Höchstwert der Temperatur angezeigt, der für das eingestellte Programm ausgewählt werden kann; wenn das Programm keine Temperatureinstellung vorsieht, bleibt die Zeilenreihe ausgeschaltet.

Die Kontrollleuchten **F** sind den Funktionen zugeordnet und leuchten, wenn die ausgewählte Funktion mit dem eingestellten Programm kompatibel ist.

Symbol **Gerätetür gesperrt**

Durch Leuchten des Symbols meldet das Gerät, dass die Gerätetür gesperrt ist, um ein versehentliches Öffnen zu vermeiden. Zur Vermeidung einer evtl. Beschädigung warten Sie bis das Symbol erlischt, bevor Sie die Gerätetür öffnen.

NB: Wenn die Funktion STARTZEITVORWAHL aktiviert ist, kann die Gerätetür nicht geöffnet werden. Zum Öffnen schalten Sie das Gerät mittels der Taste START/PAUSE auf Pause.

! Vor dem ersten Einschalten werden Sie zur Auswahl der Sprache aufgefordert, und das Display blendet automatisch das Menü zur Sprachauswahl ein.

Wählen Sie die gewünschte Sprache mittels der Tasten **X** und **Y** aus und drücken Sie dann zum Bestätigen der Auswahl auf die Taste **Z**.



Um die Sprache zu ändern, schalten Sie das Gerät aus und drücken gleichzeitig die in der Abbildung mit **X**, **Y** und **Z** gekennzeichneten Tasten. Nach dem ertönen eines akustischen Signals wird das Menü der Sprachauswahl angezeigt.


Durchführung eines Waschprogramms

DE


- 1. EINSCHALTEN DES GERÄTES.** Drücken Sie auf die Taste , woraufhin auf dem Display die Meldung POWER EIN erscheint; die Kontrollleuchte START/PAUSE blinkt langsam grün.
- 2. EINFÜLLEN DER WÄSCHE.** Öffnen Sie die Gerätetür. Füllen Sie die Wäsche ein. Achten Sie hierbei bitte darauf, die in der Programmtabelle (auf der nächsten Seite) angegebene Wäschemenge nicht zu überschreiten.
- 3. DOSIERUNG DES WASCHMITTELS.** Ziehen Sie die Waschmittelschublade heraus und füllen Sie das Waschmittel in die entsprechenden Kammern (siehe "Waschmittel und Wäsche").
- 4. SCHLIESSEN SIE DIE GERÄTETÜR.**
- 5. WAHL DES WASCHPROGRAMMS.** Wählen Sie das gewünschte Programm mittels einer der PROGRAMMWahl-Tasten aus; die Bezeichnung des Programms wird auf dem Display angezeigt; dem Programm sind eine Temperatur und eine Schleudergeschwindigkeit zugeordnet, die jedoch geändert werden können. Auf dem Display wird die Programmdauer angezeigt.
- 6. INDIVIDUALISIERUNG DES WASCHGANGS.** Verwenden Sie hierzu die entsprechenden Tasten:

Änderung der Temperatur und/oder Schleudern.


Das Gerät wählt automatisch die für das eingestellte Programm vorgesehene maximale Temperatur sowie die maximale Schleudergeschwindigkeit. Diese können demnach nicht erhöht werden. Durch Drücken der Taste  kann die Temperatur bis auf Kaltwäsche "OFF" herabgesetzt werden. Durch Drücken der Taste  kann die Schleudergeschwindigkeit herabgesetzt oder der Schleudervorgang auf "OFF" ausgeschlossen werden. Ein weiterer Druck auf die Tasten bewirkt die Einstellung der möglichen Maximalwerte.

! Ausnahme: Wird das Waschprogramm  (60 °C) (erster Tastendruck) eingestellt, kann die Temperatur bis auf 90° erhöht werden.


Startzeitvorwahl.

Zur Vorwahl der Startzeit des eingestellten Programms drücken Sie die entsprechende Taste bis die gewünschte Zeitverschiebung angezeigt wird. Sobald diese Zusatzfunktion aktiviert wird, leuchtet auf dem Display das Symbol  auf. Um die Startzeitvorwahl wieder zu deaktivieren, drücken Sie die Taste bis auf dem Display der Schriftzug "OFF" eingeblendet wird.

Einstellen der gewünschten Waschintensität.


Die Option  ermöglicht Ihnen die optimale Einstellung des Waschgangs auf Grundlage des Verschmutzungsgrades der Kleidung und der gewünschten Waschintensität.

Wählen Sie das Spülprogramm. Der Zyklus wird automatisch auf „Normal“ eingestellt, was optimal für durchschnittlich verschmutzte Kleidung ist (diese Einstellung ist nicht geeignet für den Zyklus „Wolle“, der automatisch auf „Feines“ gestellt wird).

Für stark verschmutzte Kleidung drücken Sie die Taste  bis Sie die Einstellung „Super Wash“ erreicht haben. Diese Einstellung gewährleistet dank der Verwendung einer größeren Menge Wasser zu Beginn des Zyklus sowie dank einer größeren mechanischen Bewegung einen leistungsstarken Waschgang und ermöglicht die Entfernung der widerstandsfähigsten Flecken. Es ist eine Verwendung **mit** oder **ohne** Bleichmittel möglich.

Wenn Sie Bleichmittel verwenden möchten, setzen Sie die mitgelieferte zusätzliche Kammer **4** in Kammer **1** ein. Bei der Dosierung des Bleichmittels darf der auf dem Zentralstift mit „max“ gekennzeichnete Höchststand (siehe

Abb. auf Seite 58) nicht überschritten werden.

Für gering verschmutzte Kleidung oder für eine schonende Behandlung der Kleidung drücken Sie die Taste , bis Sie die Einstellung „Feines“ erreicht haben. Der Zyklus verringert die mechanische Bewegung und sorgt somit für einen idealen Waschgang für Feinwäsche.

Einstellen des Spülgangs.

Die Option  ermöglicht die Auswahl des gewünschten Spülgangs, um sensible Haut so gut wie möglich zu schonen. Beim ersten Tastendruck wird die Einstellung „Extraspülen“ ausgewählt, die die Auswahl eines zusätzlichen Spülgangs ermöglicht, um alle Spuren des Waschmittels zu beseitigen. Beim zweiten Tastendruck wird die Einstellung „Empfindliche Haut“ ausgewählt, die die Auswahl von zwei zusätzlichen Spülgängen ermöglicht. Diese Einstellung wird für eine äußerst sensible Haut empfohlen. Beim dritten Tastendruck wird die Einstellung „Anti Allergie Spülen“ ausgewählt, die die Auswahl von drei zusätzlichen Spülgängen ermöglicht, um die wichtigsten Allergene, wie etwa Pollen, Milben oder Katzen- und Hundehaare, zu entfernen. Drücken Sie die Taste erneut, um zur Spülgangeinstellung „Spülen“ zurückzukehren. Wenn es nicht möglich ist, die bestehende Einstellung zu ändern, wird auf dem Display „Nicht Gültig“ angezeigt.

Änderung der Eigenschaften des Waschgangs.

- Drücken Sie die Taste zum Aktivieren der Funktion; die der Taste entsprechende Kontrollleuchte schaltet sich dabei ein.
- Durch erneutes Drücken der Taste kann die Funktion wieder ausgeschaltet werden; die Kontrollleuchte erlischt.

! Ist die gewählte Funktion nicht vereinbar mit dem eingestellten Programm, schaltet die Kontrollleuchte auf Blinklicht und die Funktion wird nicht aktiviert.

! Ist die gewählte Funktion mit einer anderen bereits eingestellten nicht kompatibel, schaltet die der ersten Funktion entsprechende Kontrollleuchte auf Blinklicht und nur die zweite Funktion wird aktiviert, die Kontrollleuchte der aktivierten Funktion schaltet auf Dauerlicht.

! Die Funktionen können eine Änderung der empfohlenen Beladungsmenge und/oder der Waschzeit bewirken.

- 7. STARTEN DES PROGRAMMS.** Drücken Sie die Taste START/PAUSE. Die zugehörige Kontrollleuchte schaltet auf grünes Dauerlicht und die Gerätetür wird gesperrt (Symbol GERÄTETÜR GESPERRT  leuchtet) Während des Programmablaufs erscheint auf dem Display die Bezeichnung der laufenden Programmphase. Um ein Programm während eines laufenden Waschgangs zu ändern, schalten Sie den Waschvollautomat mittels der Taste START/PAUSE auf Pause (die Kontrollleuchte START/PAUSE blinkt nun langsam orangefarben); wählen Sie daraufhin das gewünschte Programm aus und drücken Sie erneut auf die Taste START/PAUSE. Um während eines laufenden Programms die Gerätetür zu öffnen, drücken Sie die Taste START/PAUSE; wenn das Symbol GERÄTETÜR GESPERRT  erloschen ist, kann die Gerätetür geöffnet werden. Drücken Sie die Taste START/PAUSE erneut, um das Programm an der Stelle an der es unterbrochen wurde, wieder in Gang zu setzen.
- 8. ENDE DES PROGRAMMS.** Das Programmende wird durch die Anzeige "PROGRAMMENDE" auf dem Display angezeigt. Wenn das Symbol GERÄTETÜR GESPERRT  erlischt, kann die Gerätetür geöffnet werden. Öffnen Sie die Gerätetür, nehmen Sie die Wäsche heraus und schalten Sie das Gerät aus.

! Möchten Sie ein bereits in Gang gesetztes Waschprogramm löschen, drücken Sie die Taste  etwas länger. Der Waschgang wird unterbrochen und das Gerät schaltet sich aus.

Programme und Funktionen

Programmtabelle

Waschprogramme	Beschreibung des Programms	Max. Temperatur (°C)	Max. Schleuder-Geschwindigkeit (U/min)	Waschmittel				Max. Beladungsmenge (kg)	Restfeuchtigkeits-%	Energieverbrauch kWh	Wassergehalt	Programmdauer
				Vorwäsche	Hauptwäsche	Bleichmittel	Weichspüler					
	Flecken	40°	1400	●	●	-	●	6	-	-	-	190'
	Baumwolle 60° (1) (erster Tastendruck): stark verschmutzte Weiß- und farbechte Buntwäsche.	60° (Max. 90°C)	1400	●(3)	●	●	●	10	53	1,09	85	210'
	Baumwolle 40° (2) (zweiter Tastendruck): leicht verschmutzte Weißwäsche und empfindliche Buntwäsche.	40°	1400	-	●	●	●	10	53	1,09	92	185'
	Baumwolle 20° (dritter Tastendruck) : leicht verschmutzte Weißwäsche und empfindliche Buntwäsche.	20°	1400	-	●	●	●	10	-	-	-	175'
	Synthetik Robust (erster Tastendruck): stark verschmutzte, farbechte Buntwäsche.	60°	800	●	●	●	●	5,5	48	0,99	57	120'
	Synthetik Robust (4) (erster Tastendruck): leicht verschmutzte, farbechte Buntwäsche.	40°	800	●	●	●	●	5,5	48	0,63	55	100'
	Synthetik Fein (zweiter Tastendruck): leicht verschmutzte farbechte Buntwäsche.	40°	800	●	●	●	●	5,5	-	-	-	80'
	Schnell 60' (erster Tastendruck): zum kurzen Auffrischen verschmutzter Wäsche (nicht geeignet für Wolle, Seide und Handwäsche).	60°	1400	-	●	-	●	4	53	0,54	57	60'
	Schnell 30' (zweiter Tastendruck): zum kurzen Auffrischen leicht verschmutzter Wäsche (nicht geeignet für Wolle, Seide und Handwäsche).	30°	800	-	●	-	●	4	71	0,21	41	30'
M	MY CYCLE (Speicher) : hiermit kann jede beliebige Art von Waschgang gespeichert werden											
	Bett & Bad : bettwäsche Bade- und Handtücher.	60°	1400	●	●	-	●	10	-	-	-	155'
	WOOLMARK PLATIN (Wolle) : wolle, Kaschmir usw.	40°	800	-	●	-	●	2,5	-	-	-	100'
	Feinwäsche	30°	0	-	●	-	●	1	-	-	-	80'
	Schleudern (erster Tastendruck)	-	1400	-	-	-	-	10	-	-	-	16'
	Spülen (zweiter Tastendruck)	-	1400	-	-	-	●	10	-	-	-	49'
	Abpumpen (dritter Tastendruck)	-	0	-	-	-	-	10	-	-	-	2'

Die auf dem Display und in der Bedienungsanleitung genannte Zyklusdauer wird ausgehend von Standardbedingungen berechnet. Die effektiv benötigte Zeit kann aufgrund zahlreicher Faktoren wie Temperatur und Druck des Zulaufwassers, Raumtemperatur, Waschmittelmenge, Art, Menge und Verteilung der Waschladung sowie der gewählten Zusatzfunktionen variieren.

1) Prüfprogramm gemäß 1061/2010: Wählen Sie das Programm bei 60 °C (erster Tastendruck).

Dieser Zyklus ist für den Waschvorgang von normal schmutziger Baumwollwäsche geeignet; es ist der wirksamste in Bezug auf den kombinierten Energie-Wasser-Verbrauch; für bei 60°C. zu waschende Wäsche zu verwenden. Die effektive Waschttemperatur kann von der angegebenen abweichen.

2) Prüfprogramm gemäß 1061/2010: wählen Sie das Programm bei 40 °C (zweiter Tastendruck).

Dieser Zyklus ist für den Waschvorgang von normal schmutziger Baumwollwäsche geeignet; es ist der wirksamste in Bezug auf den kombinierten Energie-Wasser-Verbrauch; für bei 40°C. zu waschende Wäsche zu verwenden. Die effektive Waschttemperatur kann von der angegebenen abweichen.

3) Die "Vorwäsche" funktion kann beim Temperaturwert 60 °C nicht aktiviert werden.

Für alle Testinstitute:

2) Langes Baumwollprogramm: wählen Sie das Programm bei 40 °C (zweiter Tastendruck).

4) Langes Kunstfaserprogramm: wählen Sie das Programm bei 60 °C (erster Tastendruck); Temperatur von 40 °C (drücken Sie die Taste TEMPERATUR).

Waschfunktionen

Vorwäsche

Beim Wählen dieser Funktion wird eine Vorwäsche aktiviert, so dass auch hartnäckige Flecken beseitigt werden.

NB: Füllen Sie das Waschpulver in die entsprechende Kammer ein.

! Diese Funktion kann zu den Programmen , , nicht zugeschaltet werden.

, , , , (60°), , nicht zugeschaltet werden.

Bügelleicht

Bei Einstellung dieser Funktion wird zur Vermeidung einer Knitterbildung der Wasch- und Schleudergang entsprechend geändert. Am Ende des Waschgangs erfolgen langsame Umdrehungen der Trommel; die Kontrollleuchte der Funktion BÜGELLEICHT und die der Taste START/PAUSE blinken (orange) und auf dem Display wird "PROGRAMMENDE" angezeigt. Um den Waschgang abzuschließen, drücken Sie die Taste START/PAUSE oder die Taste BÜGELLEICHT.

! Diese Funktion kann zu den Programmen

, , , nicht zugeschaltet werden.

Eco Wash

Die Funktion Eco Wash trägt dazu bei, Energie zu sparen, indem das Wasser für die Wäsche nicht aufgeheizt wird - ein Vorteil sowohl für die Umwelt als auch für die Stromrechnung. Tatsächlich sichern die verstärkte Waschaktion und der optimierte Wasserverbrauch hervorragende Ergebnisse bei gleicher durchschnittlicher Dauer eines Standardzyklusses zu. Für maximale Waschergebnisse empfehlen wir den Einsatz eines Flüssigwaschmittels.

! Diese Funktion kann zu den Programmen , , , , , , , nicht zugeschaltet werden.

Waschmittel und Wäsche

DE

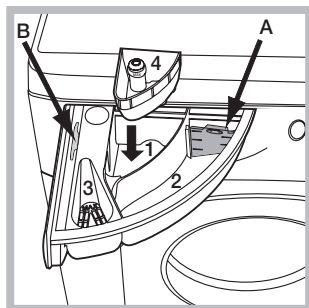
Waschmittel und Wäsche

Ein gutes Waschergebnis hängt auch von einer korrekten Waschmitteldosierung ab: Eine zu hohe Dosierung bedeutet nicht unbedingt reinere Wäsche, sie trägt nur dazu bei, die Maschinenteile zu verkrusten und die Umwelt zu belasten.

! Waschmittel in Pulverform für Baumwollweißwäsche, für die Vorwäsche und für Waschprogramme bei Temperaturen über 60°C verwenden.

! Bitte befolgen Sie den auf der Waschmittelverpackung angegebenen Anweisungen.

! Verwenden Sie keine Handwaschmittel, sie verursachen eine zu hohe Schaumbildung.



Schublade herausziehen und Waschmittel oder Zusätze wie folgt einfüllen:

Kammer 1: Waschpulver für die Vorwäsche (Waschpulver)

Vergewissern Sie sich vor Einfüllen des Waschmittels, dass die Zusatzkammer 4 nicht eingesetzt wurde.

Kammer 2: Waschmittel für die Hauptwäsche (Waschpulver oder Flüssigwaschmittel)

Falls Sie ein Flüssigwaschmittel verwenden, wird empfohlen, die mitgelieferte Trennwand **A** zu benutzen, um eine korrekte Dosierung zu gewährleisten. Wenn Sie ein Pulverwaschmittel verwenden, geben Sie die Trennwand in die Kammer **B**.

Kammer 3: Zusätze (Weichspüler usw.)

Der Weichspüler darf das Gitter nicht übersteigen.

Zusätzliche Kammer 4: Bleichmittel

Vorsortieren der Wäsche

- Sortieren Sie die Wäsche nach:
 - Gewebeat / Waschetikettensymbol.
 - und Farben: Buntwäsche von Weißwäsche trennen.
- Entleeren Sie alle Taschen.
- Das angegebene Gewicht, das sich auf die maximale Ladung an Trockenwäsche bezieht, sollte nicht überschritten werden: siehe "Programmtabelle".

Wie schwer ist Wäsche?

- 1 Betttuch 400-500 gr
- 1 Kissenbezug 150-200 gr
- 1 Tischdecke 400-500 gr
- 1 Bademantel 900-1.200 gr
- 1 Handtuch 150-250 gr

Sonderprogramme

Flecken: das Programm ist für die Reinigung stark verschmutzter Kleidung mit widerstandsfähigen Farben geeignet. Das Programm gewährleistet einen Waschgang, der besser als der Standard (Klasse A) ist. Mischen Sie bei diesem Programm keine Kleidungsstücke mit unterschiedlicher Farbe. Es empfiehlt sich die Verwendung von Pulverwaschmittel. Bei hartnäckigen Flecken empfiehlt sich die Vorbehandlung mit spezifischen Zusatzstoffen.

Baumwolle 20°C : ideal für normalverschmutzte Baumwolle. Die auch mit kaltem Wasser erreichten Leistungen, vergleichbar mit einer Wäsche bei 40°, werden mechanisch erzielt. Die Trommel arbeitet mit wiederholten, kurz auf einander folgenden Beschleunigungen.

Bett & Bad: um Ihre Handtücher- und Bettwäsche in einem einzigen Waschgang zu waschen, verwenden Sie das -Programm, das die Verwendung von Weichspülnern optimiert. Dadurch sparen Sie zusätzlich Zeit und Energie. Es empfiehlt sich die Verwendung von Pulverwaschmittel.

Wolle: das Waschprogramm „Wolle“ dieser Waschmaschine Hotpoint-Ariston wurde von der Woolmark Company für die Wäsche von mit „Handwäsche“ gekennzeichneten Wollkleidungsstücken getestet und anerkannt, vorausgesetzt die Wäsche erfolgt gemäß der Anweisungen auf Etikett des Kleidungsstück und den Angaben des Herstellers des Haushaltsgeräts. Hotpoint-Ariston ist die erste Waschmaschinenmarke, die von der Woolmark Company die Zertifizierung Woolmark Apparel Care - Platinum für ihre Wascheleistungen und den Verbrauch von Wasser und Energie erhalten hat. (M1135)



Feinwäsche: verwenden Sie das Programm für die Reinigung von Feinwäsche, die Applikationen wie Strass oder Pailletten aufweist.

Wählen Sie für die Reinigung von Kleidungsstücken aus **Seide** und **Vorhänge** den Zyklus und wählen Sie bei der Option die Einstellung „Feines“.

Es wird empfohlen, die Kleidungsstücke vor der Reinigung umzudrehen und kleinere Kleidungsstücke in den entsprechenden Reinigungsbeutel für Feinwäsche zu geben. Um bessere Ergebnisse zu erzielen, wird für die Reinigung von Feinwäsche die Verwendung von Flüssigwaschmittel empfohlen.

Unwuchtkontrollsystem

Um starke Vibrationen oder eine Unwucht beim Schleudern zu vermeiden, verfügt das Gerät über ein Schleudrunwuchtsystem. Die Waschladdung wird durch eine erhöhte Rotation der Trommel als die des Waschgangs ausbalanciert. Sollte die Wäscheladung nach Ablauf mehrerer Versuche immer noch nicht korrekt verteilt sein, schleudert das Gerät die Wäsche bei einer niedrigeren Geschwindigkeit als die der vorgesehenen Schleudergeschwindigkeit. Sollte die Wäsche extrem ungleichmäßig verteilt sein, führt das Gerät anstelle des Schleudergangs einen Wäscheverteilungs-Zyklus durch. Um eine optimale Verteilung der Wäscheladung und somit eine korrekte Auswuchtung zu fördern, sollten große und kleine Wäscheteile gemischt eingefüllt werden.

Störungen und Abhilfe

Bei Funktionsstörung: Bevor Sie sich an den Technischen Kundendienst wenden (siehe „Kundendienst“), vergewissern Sie sich zuerst, ob es sich nicht um eine Kleinigkeit handelt, die Sie selbst beheben können. Ziehen Sie hierzu nachstehendes Verzeichnis zu Rate.

Störungen:

Der Waschvollautomat schaltet sich nicht ein.

Der Waschgang startet nicht.

Der Waschvollautomat lädt kein Wasser (auf dem Display wird die Meldung „WASSERZULAUF PRÜFEN“ eingeblendet).

Der Waschvollautomat lädt laufend Wasser und pumpt es laufend ab.

Der Waschvollautomat pumpt nicht ab und schleudert nicht.

Der Waschvollautomat vibriert zu stark während des Schleuderns.

Der Waschvollautomat ist undicht.

Das Gerät ist blockiert, das Display blinkt und zeigt einen Fehlercode an (zum Beispiel: F-01, F-..).

Es bildet sich zu viel Schaum.

Mögliche Ursachen / Lösungen:

- Der Stecker steckt nicht in der Steckdose, oder nicht so, dass der Kontakt hergestellt wird.
- Der Strom ist ausgefallen.
- Die Gerätetür wurde nicht vorschriftsmäßig geschlossen.
- Die ON/OFF-Taste wurde nicht gedrückt.
- Die Taste START/PAUSE wurde nicht gedrückt.
- Der Wasserhahn ist nicht aufgedreht.
- Es wurde ein verzögerter Start gewählt (siehe „Durchführung eines Waschprogramms“).
- Der Zufuhrschlauch ist nicht am Wasserhahn angeschlossen.
- Der Schlauch ist geknickt.
- Der Wasserhahn ist nicht aufgedreht.
- Es ist kein Wasser da.
- Der Druck ist unzureichend.
- Die Taste START/PAUSE wurde nicht gedrückt.
- Der Ablaufschlauch befindet sich nicht auf der vorgeschriebenen Höhe, d.h. 65 – 100 cm vom Boden (siehe „Installation“).
- Das Schlauchende liegt unter Wasser (siehe „Installation“).
- Der Abfluss der Hausinstallation wurde nicht mit einer Entlüftungsöffnung versehen. Könnte die Störung durch diese Kontrollen nicht behoben werden, dann drehen Sie den Wasserhahn zu, schalten das Gerät aus und fordern den Kundendienst an. Falls Sie in einer der obersten Etagen eines Gebäudes wohnen, kann es vorkommen, dass sich im Syphon ein Vakuum bildet, und der Waschvollautomat ständig Wasser ansaugt und wieder abpumpt. Zur Lösung dieser Probleme bietet der Handel spezielle Syphonventile.
- Das Programm siehe kein Abpumpen vor: Bei einigen Programmen muss es von Hand eingestellt werden (siehe „Programme und Funktionen“).
- Die Funktion „BÜGELLEICHT“ wurde aktiviert: zur Beendigung des Programms Taste START/PAUSE drücken (siehe „Programme und Funktionen“).
- Der Ablaufschlauch ist geknickt (siehe „Installation“).
- Die Ablaufleitung ist verstopft.
- Die Trommel wurde bei der Installation nicht korrekt befreit (siehe „Installation“).
- Der Waschvollautomat steht nicht eben (siehe „Installation“).
- Der Waschvollautomat steht zu eng zwischen der Wand und einem Möbel (siehe „Installation“).
- Der Zulaufschlauch wurde nicht ordnungsgemäß aufgeschraubt (siehe „Installation“).
- Die Waschmittelschublade ist verstopft (zur Reinigung siehe „Wartung und Pflege“).
- Der Ablaufschlauch ist nicht korrekt befestigt (siehe „Installation“).
- Schalten Sie das Gerät aus und ziehen Sie den Netzstecker; warten Sie daraufhin ca. 1 Minute und schalten Sie es wieder ein. Bleibt die Störung bestehen, kontaktieren Sie bitte den Kundendienst.
- Das Waschmittel ist für Waschmaschinen nicht geeignet (es muss mit der Aufschrift „Für Waschmaschinen“, „Für Handwäsche und Waschmaschinen“ usw. versehen sein).
- Es wurde zu hoch dosiert.

Kundendienst

DE

Bevor Sie sich an den Kundendienst wenden:

- Sollten einige Kontrollen vorab selbst durchgeführt werden (*siehe „Störungen und Abhilfe“*);
- Starten Sie daraufhin das Programm erneut, um sicherzustellen, dass die Störung auch wirklich behoben wurde;
- Ist dies nicht der Fall, dann kontaktieren Sie den autorisierten Kundendienst unter der auf dem Garantieschein befindlichen Telefonnummer.

! Wenden Sie sich auf keinen Fall an nicht autorisierte Techniker.

Geben Sie bitte Folgendes an:

- die Art der Störung;
- das Maschinenmodell (Mod.);
- die Seriennummer (S/N).

Diese Daten entnehmen Sie bitte dem auf der Rückseite des Waschvollautomaten und auf der Vorderseite (Gerätetür öffnen) befindlichen Typenschild.

TR

Türkçe

WMD 1044

İçindekiler

Montaj, 62-63

Ambalajın çıkartılması ve seviye ayarı getirilmesi
Su ve elektrik bağlantıları
İlk yıkama
Teknik veriler

Bakım ve özen, 64

Su ve elektrik kesilmesi
Çamaşır makinesinin temizlenmesi
Deterjan haznesinin temizlenmesi
Kapak ve hazne bakımı
Pompanın temizlenmesi
Su besleme hortumunun kontrol edilmesi

Önlemler ve öneriler, 65

Genel güvenlik uyarıları
Atıkların tasfiye edilmesi
Cam kapağın açılması

Çamaşır makinesinin tanımı, 66-67

Kontrol paneli
Ekran

Bir yıkama devri nasıl yapılır, 68

Programlar ve işlevler, 69

Program tablosu
Yıkama işlevleri

Deterjan ve çamaşır, 70

Deterjan haznesi
Çamaşırın hazırlanması
Özel programlar
Yük dengeleme sistemi

Arızalar ve onarımlar, 71

Teknik Servis, 72

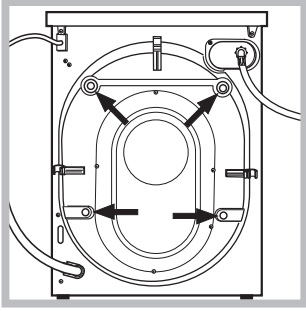
TR

! Bu kitapçığı gerektiği her an danışabilmeniz için özenle saklayınız. Çamaşır makinesinin satılması, devri veya nakli durumlarında da, yeni sahibinin faydalanabilmesi için bu kılavuz makineyle beraber saklanmalıdır. ! Talimatları dikkatlice okuyunuz; montaj, kullanım ve güvenliğe ilişkin önemli bilgiler içermektedir.

Ambalajın çıkartılması ve aynı seviyeye getirilmesi

Ambalajdan çıkartılması

1. Çamaşır makinesinin ambalajdan çıkartılması.
2. Çamaşır makinesinin taşıma esnasında hasar görmemiş olduğunu kontrol ediniz. Hasar görmüş ise monte etmeyiniz. Satıcıya başvurunuz.

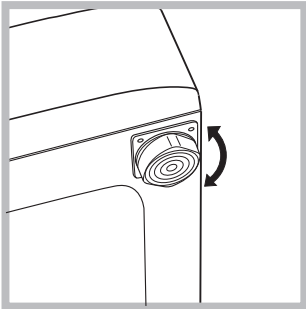


3. Taşıma sırasında arka tarafta bulunan 4 adet koruyucu vidayı ve ara parçasıyla birlikte buradaki lastiği de çıkartınız (bakınız şekil).

4. Delikleri ambalajda bulacağınız plastik kapaklarla kapayınız.
5. Tüm parçaları muhafaza ediniz: çamaşır makinesinin nakli gerektiği takdirde takılmaları gerekmektedir. ! Ambalajlar çocuk oyuncağı değildir.

Cihazın aynı seviyeye getirilmesi

1. çamaşır makinesini düz ve sert bir zemine yerleştiriniz, duvar veya mobilyalara dayamayınız.



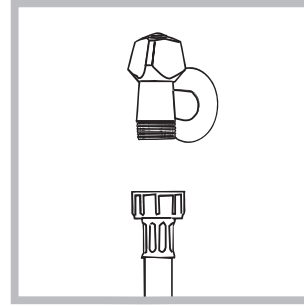
2. Yerleştirilecek zemin tam düz değilse çamaşır makinesinin vidalı ön ayaklarını sıkarak veya gevşeterek dengeyi sağlayınız (bkz. şekil); eğim açısı, makinenin üst tezgahına göre 2° den fazla

olmamalıdır.

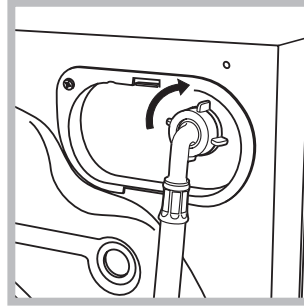
Sağlıklı bir dengeleme, çamaşır makinesine sağlam bir duruş kazandıracak gibi, çalışması esnasındaki sarsıntı, gürültü ve hareketlilikleri de önleyecektir. Zeminde moket veya halı olması halinde, ayarı makinenin altında havalandırma olabilecek şekilde yapınız .

Su ve elektrik bağlantıları

Su besleme hortumunun takılması



1. Tedarik borusunu 3/4 gaz vidalı bağlantı kullanarak bir soğuk su musluğuna bağlayınız (bkz. şekil). Bağlantıyı yapmadan önce, suyu berraklaşana kadar akıtınız.



2. Su besleme hortumunu arka kısmının üst sağ köşesinde bulunan su girişine vidalayarak makineye bağlayınız (bkz. şekil).

3. Hortumda katlanma ve ezilme olmamasına dikkat ediniz.

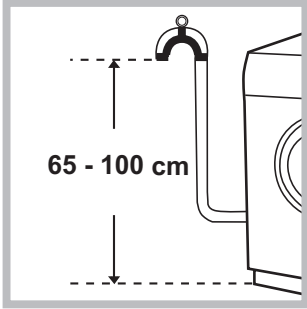
! Musluğun su basıncının Teknik Veriler tabelasında belirtildiği gibi olması gerekir (bkz. yan sayfa).

! Besleme hortumunun boyu yetersizse yetkili bir satıcı mağaza veya teknisyene başvurunuz.

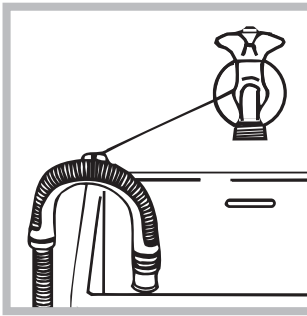
! Kesinlikle daha önceden kullanılmış hortum kullanmayınız.

! Makine ile birlikte verilen hortumları kullanınız.

Tahliye hortumunun bağlanması



Tahliye hortumunu bükmeden zemin-den 65 ila 100 cm yukarıda yer alan pis su borusuna veya duvar tahliyesine bağlayın;



Buna alternatif olarak, makine ile birlikte verilen pis su borusunu musluğa (şekle bakınız) bağlayarak lavabo veya küvetin kenarına yerleştirin. Hortumun serbest kalan ucu suya daldırılmamalıdır.

! Hortum eklerinin kullanımı önermiyoruz; kesinlikle gerekliyse ek hortum orijinal hortum ile aynı çapta olmalı ve uzunluğu 150 cm. aşmamalıdır.

Elektrik bağlantıları

Cihazı elektrik prizine takmadan önce, aşağıdakilerden emin olun:

- Prizin topraklandığından ve ilgili mevzuata uygun olduğundan;
- Prizin teknik veri tablosunda gösterilmekte olan maksimum cihaz elektrik yüküne dayanıp dayanamayacağından (*teknik veri tablosuna bakınız*);
- Güç kaynağı voltajının teknik veri tablosunda gösterilen değerlere uygun olup olmadığından (*teknik veri tablosuna bakınız*);
- Elektrik prizinin çamaşır makinesinin fişi ile uyumlu olup olmadığından emin olun. Muhafazalı değilse, priz veya fişi değiştirin.

! Çamaşır makinesi kapalı alan olsa bile, evin dışına yerleştirilmemelidir. Cihazın yağmur, fırtına ve diğer hava koşullarına maruz bırakılması son derece tehlikelidir.

! Çamaşır makinesi yerleştirildiğinde, elektrik prizi kolay ulaşılabilir bir durumda olmalıdır.

! Uzatma kablosu veya çoklu priz kullanmayın.

! Kablo bükülmemeli veya sıkıştırılmamalıdır.

! Güç kablosu ve fişi sadece yetkili teknisyenler tarafından değiştirilmelidir.

Uyarı! Bu standartlara uyulmaması durumunda sirket sorumlu tutulamaz.

İlk yıkama

İlk kullanımdan önce programlar tablosundaki **“Kendi kendini temizleme”** Programı kullanarak çamaşır olmadan deterjanla bir yıkama yapın.

Teknik bilgiler

Model	WMD 1044
Ölçüler	genişlik 59,5 cm yükseklik 85 cm derinlik 60,5 cm
Kapasite	1 - 10 kg
Elektrik bağlantıları	makine üstünde takılı olan teknik veriler plakasına bakınız.
Su bağlantıları	max. su basıncı 1 MPa (10 bar) min. su basıncı 0,05 MPa (0,5 bar) tambur kapasitesi 71 litre
Sıkma hızı	maksimum dakikada 1400 devire kadar
1061/2010 ve 1015/2010 sayılı direktiflere göre kontrol programları	Program <input type="checkbox"/> (60°) (tuşa 1 kez basınız); Standart Pamuklu 60°C. Program <input type="checkbox"/> (40°) (tuşa 2 kez basınız); Standart Pamuklu 40°C.
CE	Bu makina aşağıda belirtilen AB normlarına uygundur: - 2004/108/CE (Elektromanyetik Uyum) - 2002/96/CE - 2006/95/CE (Alçak gerilim)

Bakım ve onarım

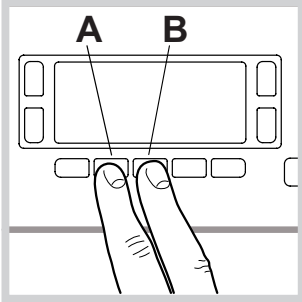
TR

Su ve elektrik kesilmesi

- Su musluğunu her yıkamadan sonra kapatınız. Böylece çamaşır makinesinin su tesisatının eskimesi engellenir, su kaçağı tehlikesi ortadan kalkar.
- Bakım ve temizlik işlemleri esnasında çamaşır makinesinin fişini çekiniz.

Çamaşır makinesinin temizlenmesi

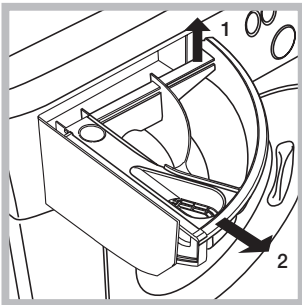
- Dış gövde ve plastik aksam ılık su ve sabunla ıslatılmış bir bez vasıtasıyla temizlenebilir. Çözücü ve aşındırıcı maddeler kullanmayınız.
- Çamaşır makinesinde tambur boşken çalıştırılması gereken **“Kendi kendini temizleme”** programı bulunmaktadır. Deterjan (az kirli çamaşırlar için tavsiye edilen miktarın %10'u kadar) veya çamaşır makinesinin temizliği için kullanılan özel katkı maddeleri, yıkama programında yardımcı olarak kullanılabilir. 40 yıkamada bir “Kendi kendini temizleme” programını çalıştırmanız önerilir.



Programı devreye sokmak için 5 saniye boyunca **A** ve **B** tuşlarına aynı anda basınız (*bakınız Şekil*). Program, otomatik olarak başlayacak ve yaklaşık 70 dakika sürecektir. Devreyi durdurmak için

START/PAUSE tuşuna basınız.

Deterjan haznesinin temizlenmesi



Hazneyi kaldırarak, dışarıya doğru çekmek suretiyle çıkartınız (*bkz. şekil*). Akar su altında yıkayınız, bu çekmeceğin temizliği sık sık yapılmalıdır.

Kapak ve hazne bakımı

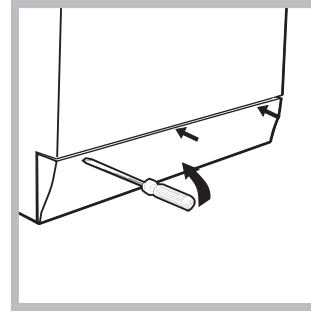
- Kötü kokuların oluşmasını engellemek için kapağı daima aralık bırakınız.

Pompanın temizlenmesi

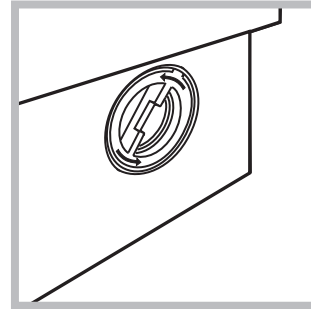
Çamaşır makinesinin pompası kendini temizleyen bir özelliğe sahip olup, ayrıca temizlik gerektirmez. Ancak, bazı küçük cisimler (madeni para, düğme) pompanın alt kısmındaki koruyucu bölmeye düşebilirler.

! Yıkama devresinin bitmiş olup olmadığını kontrol ediniz ve fişini çekiniz.

Pompa koruyucu bölgesine erişebilmek için:



1. çamaşır makinesinin ön kapama panelini, bir tornavida vasıtasıyla çıkartınız (*bkz. şekil*);



2. makine kapağını saatin ters yönünde çevirerek sökünüz (*bkz. şekil*). bir miktar su gelmesi normaldir;

3. içini dikkatlice temizleyiniz;
4. kapağı vidalayınız;
5. paneli takarken, tam yerleştirmeden evvel, kancaların yuvalara gelip gelmediğini kontrol ediniz.

Su besleme hortumunun kontrol edilmesi

Su besleme hortumunu, en azından senede bir defa kontrol ediniz. Yarık veya çatlaklar varsa değiştiriniz: yıkama esnasındaki yüksek basınçlar ani patlamalara yol açabilirler.

! Kesinlikle daha önceden kullanılmış hortum kullanmayınız.

Önlemler ve öneriler

! Çamaşır makinesi uluslararası güvenlik standartlarına uygun olarak projelendirilmiş ve üretilmiştir. Bu uyarılar güvenlik amaçlı olup dikkatlice okunmalıdır.

Genel güvenlik uyarıları

- Makine meskenlerde kullanılmak üzere tasarlanmış olup profesyonel kullanım amaçlı değildir.
- Kullanım güvenliklerinden sorumlu bir kişinin komutları ve denetimi altında gerçekleşmediği sürece, cihaz, fiziksel kapasitesi yetersiz (çocuklar dahil), işitsel veya zihinsel olarak yeterli olmayan kişiler ile yetersiz bilgi ve deneyime sahip olan kişiler tarafından kullanılmamalıdır. Cihazla oynamamalarını garanti etmek için çocukların kontrol altında olmaları gerekmektedir.
- Çamaşır makinesi yalnızca yetişkin kişiler tarafından ve kullanma talimatına uygun olarak kullanılmalıdır.
- Cihaza ayaklarınız çıplakken yada elleriniz veya ayaklarınız ıslak yada nemliyken dokunmayınız.
- Fişi prizden çekerken kablosundan değil fişin kendisinden tutarak çekiniz.
- Makine çalışırken deterjan haznesini açmayınız.
- Tahliye suyuna el sürmeyiniz, yüksek ısıda olabilir.
- Kapağı, hiçbir şekilde zorlamayınız: istenmedik açılmalara karşı olan güvenlik mekanizması arıza yapabilir.
- Arıza halinde onarmak amacıyla iç mekanizmaları kurcalamayınız.
- Çocukların çalışır vaziyetteki makineye yaklaşmalarına mani olunuz.
- Çalışma esnasında kapak ısınabilir.
- Taşınması gerektiğinde, bu işlemin, iki veya üç kişi tarafından, azami dikkatle yapılması gerekir. Kesinlikle tek başınıza yapmayınız, çünkü makine çok ağırdır.
- Çamaşırıları yerleştirmeden evvel, sepetin boş olduğundan emin olunuz.

Atıkların tasfiye edilmesi

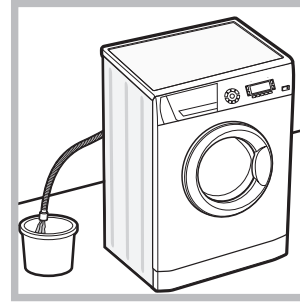
- Ambalaj malzemelerinin tasfiye edilmesi: yerel yasalara uyunuz, bu şekilde ambalajların geri dönüşümü mümkün olur.
- Elektrik ve elektronik cihazların atıklarını değerlendirme 2002/96/CE sayılı Avrupa Konseyi direktifinde; beyaz eşyaların kentsel katı atık genel yöntemi ile tasfiye edilmemesi öngörülmüştür. Kullanılmayan cihazların, madde geri kazanım ve geri dönüşüm oranını en yüksek seviyeye yükseltmek, çevre ve insan sağlığına olası zararları engellemek için ayrı ayrı toplanması gerekir. Tüm ürünlerin üzerinde; ayrı toplama hükümlerini hatırlatmak amacıyla üstünde çarpı işareti olan sepet sembolü verilmiştir.

Cihazların tasfiye edilmesi konusunda daha geniş bilgi almak için cihaz sahiplerinin mevcut müşteri hizmetine veya satış noktalarına başvurulması gerekir.

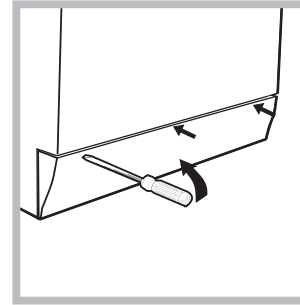
TR

Cam kapağın açılması

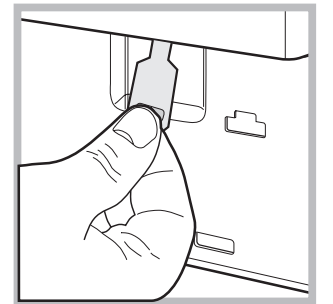
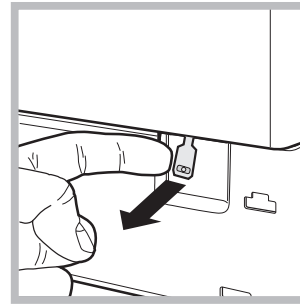
Elektrik kesildiğinde makine kapağını açmadığınız zaman çamaşırıları çıkarıp asmak istediğinizde aşağıdaki gibi yapınız:



1. fişi prizden çekiniz.
2. makinenin içindeki su seviyesinin makine kapağından daha alçak olmasını sağlayınız, aksi takdirde A şeklinde gösterildiği gibi bir kapta toplanacak şekilde boşaltma hortumu vasıtasıyla içindeki suyu gideriniz.



3. çamaşır makinesinin ön panelini, bir tornavida vasıtasıyla, çıkartınız (bkz. şekil).

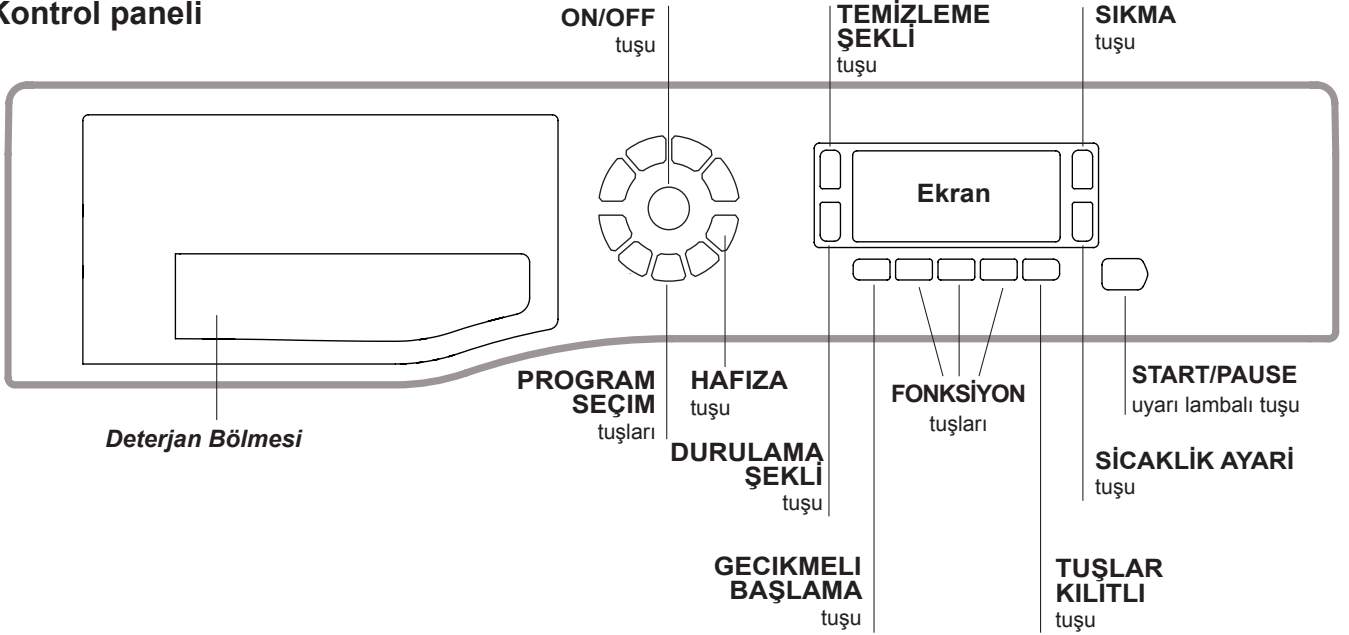


4. şekilde gösterilen dilciğinden tutarak blokajından çıkıncaya kadar dışarıya doğru çekiniz; aynı anda a°ağı doğru çekerek kapıyı açınız.
5. paneli takarken, tam yerleştirmeden evvel, kancaların yuvalara gelip gelmediğini kontrol ediniz.


Çamaşır makinesinin tanımı

TR

Kontrol paneli




Deterjan Bölmesi: ve diğer katkıları koyunuz (“Deterjanlar bölümüne” bakınız).

ON/OFF tuşu : makineyi açmak ya da kapatmak için bu tuşa kısa süreli basınız. Yeşil renkte yanıp sönen START/PAUSE uyarı lambası makinenin açık olduğunu gösterir. Makineyi çalışır vaziyetteyken kapatmak için tuşu daha uzun, yaklaşık 3 saniye, basılı tutmanız gerekir; hafifçe ya da yanlışlıkla basıldığında makine kapanmaz. Makinenin çalışır vaziyetteyken kapatılması devrede olan yıkama programını iptal eder.


PROGRAM SEÇİM tuşları: istenilen programı ayarlamak için (bkz. Program tablosu).


HAFIZA tuşu: bir devir ve en çok kullanılan kişisel ayarları kaydetmek için tuşa basılı tutunuz. Daha önce kaydedilmiş olan bir devir seçmek için HAFIZA tuşuna basınız.


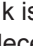
FONKSİYON tuşları: İstenilen işlevi seçmek için mode tuşuna basarak ayarlayınız. Ekranda ilgili uyarı lambası yanacaktır.


TEMİZLEME ŞEKLİ  tuşu: arzu edilen yıkama yoğunluğunu seçmek için bu tuşa basınız


DURULAMA ŞEKLİ  tuşu: arzu edilen durulama tipini seçmek için bu tuşa basınız.

SIKMA tuşu : santrifüjü azaltmak ya da devre dışı bırakmak için basınız – değeri ekranda görüntülenir.

SICAKLIK AYARI tuşu : sıcaklık derecesini azaltmak için basınız: seçilen değer ekranda belirtilir.

TUŞLAR KILITLI tuşu : kontrol paneli etkin haline getirmek için tuşu yaklaşık 2 saniye basılı tutmanız gerekir. Sembol  açık ise; kontrol panelinin kilitli olduğunu gösterir. Böylece özellikle çocuklarınız varsa programın yanlışlıkla değiştirilmesi engellenir. kontrol panelini etkisiz haline getirmek için tuşu yaklaşık 2 saniye basılı tutmanız gerekir.

GEÇİKMELİ BAŞLAMA tuşu : seçilen programı geciktirmeli çalıştırmak için basınız. Gecikme ekranda belirtilecektir.

START/PAUSE uyarı lambalı tuşu: yeşil lamba yavaşça yanıp sönünce istediğiniz yıkama programını başlatmak için tuşa basınız. Yıkama programı başladıktan sonra uyarı lambası yanık kalır. Seçilen bir programın bekleme-ye alınması için aynı tuşa tekrar basınız; uyarı lambası turuncu renkte yanıp sönecektir. Sembol  yanık değilse makine kapağı açılabilir. Yıkama programının kaldığı yerden devam etmesi için aynı tuşa tekrar basınız.

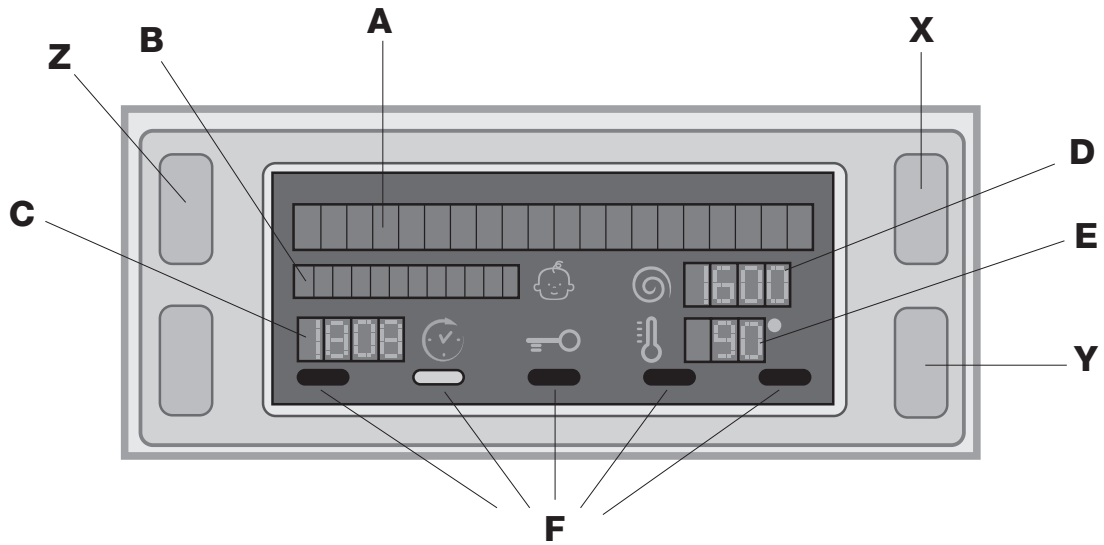
Bekleme modu

Yeni enerji tasarrufu düzenlemeleri ile uyumlu bu çamaşır makinesine herhangi bir faaliyet algılanmadığında 30 dakika içinde devreye sokulan otomatik bekleme sistemi yerleştirilmiştir ON/OFF düğmesine bir süre basın ve makinenin tekrar çalışmasını bekleyin.

Off-mode'da tüketim: 0,5 W

Left-on'da tüketim: 0,5 W

Ekran



Makineyi programlamak için yararlı bir gereç olmasının yanı sıra ekranda değişik bilgiler verilmektedir.

Üsteki **A** ve **B** satırlarında seçilen yıkama programı, programın hangi devrede olduğu ve program takip ile gereken tüm bilgiler verilir.

C satırında programın bitmesine ne kadar süre kaldığı ve GECIKMELI BAŞLATMA ayarlandıysa yıkamanın başlamasına ne kadar süre kaldığı görüntülenir.

D satırı ise ayarlanan programa göre santrifüjün maksimum hız değeri görüntüler. Eğer santrifüj seçili değilse satır sönmük kalır.

E satırı ise ayarlanan programa göre santrifüjün maksimum ısı değerini görüntülenir. Eğer ısı ayarı programda mevcut değilse bu satır sönmük kalır.

F uyarı lambaları işlevler ile ilgili olup seçili işlev ayarlanan programa uygunsu yanar.

KAPAK KILITLI sembolü

Işıklı göstergenin yanıyor olması kapağın, istenmeyen açılmalara karşı, kapalı olduğunu gösterir. Herhangi bir arızaya yol açmamak için ışıklı göstergenin sönmelerini beklemek gerekir.

Not: Makine çalışırken GECIKMELI BAŞLATMA etkin ise makine kapağı açılmaz, kapağı açabilmek için START/PAUSE tuşuna basarak makineyi beklemeye alınız.





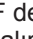


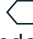


! İlk çalıştırıldığında dil seçimi istenecektir ve ekran otomatik olarak "Dil seçimi" menüsüne girecektir.

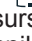
İstenilen dili seçmek için **X** ve **Y** tuşlarına basınız. Onaylamak için **Z** tuşuna basınız.

Dil değiştirilmek istenir ise sesli bir sinyal duyana kadar aynı anda **X**, **Y**, **Z** tuşlarına basınız, yeniden dil seçim menüsü görüntülenecektir.


Bir yıkama devri nasıl yapılır

TR

- 1. MAKİNEİN ÇALIŞTIRILMASI.**  tuşuna bastıktan sonra ekranda AÇMA yazısı görüntülenecek ve START/PAUSE uyarı lambası yeşil renkte yanıp sönmeye başlayacaktır.
- 2. MAKİNEİN DOLDURULMASI.** Kapağı açınız. Sonraki sayfada bulunan program tabelasında belirtilen yük miktarını geçmeyecek şekilde tamburu çamaşırlarınızla doldurunuz.
- 3. DETERJAN KONULMASI.** Deterjan haznesini açınız ve deterjanı “Deterjan ve çamaşır” bölümünde açıklandığı gibi koyunuz.
- 4. MAKİNE KAPAĞININ KAPATILMASI.**
- 5. PROGRAMIN SEÇİLMESİ.** İstenilen programı seçmek için PROGRAM SEÇİM tuşlarından birine basınız. Programın ismi ekranda görüntülenecektir, seçilen programa bağlı değiştirilemeyecek sıcaklık derecesi ve sıkma devir hızı vardır. Ekranda program süresi görüntülenecektir.
- 6. YIKAMA DEVRİNİN KİŞİSEL AYARLARINI** mevcut olan tuşları kullanarak yapınız:
 -   Sıcaklık derecesi ve/ya santrifüjün değiştirilmesi.** Seçilen programa göre makine sıcaklık derecesi ve sıkma devrini otomatik olarak ayarlar, bu yüzden bu değerler değiştirilemez.  tuşuna basıldığında OFF soğuk yıkama programındaki sıcaklık derecesine ulaşıncaya kadar sıcaklık derecesi düşer.  düğmesine basıldığında OFF devreden çıkıncaya kadar sıkma devri gittikçe azalır. Tuşlara bir daha basıldığında fabrika değerlerine dönecektir.
 -  Gecikmeli başlatma ayarı.** Seçilmiş olan programın gecikmeli başlamasını ayarlamak için istenilen gecikme süresi ayarlanıncaya kadar tuşa basınız. Bu opsiyon açık olduğunda ekranda  sembolü görüntülenecektir. Gecikmeli başlatmayı iptal etmek için ekranda OFF yazısı görüntüleninceye kadar tuşa basınız.
! İstisna:  (60°C) (tuşa 1 kez basınız) programı seçildiğinde sıcaklık derecesi 90°C ye kadar yükseltilebilir.
 - Arzu edilen yıkama yoğunluğunu ayarlayınız.**  opsiyonu, çamaşırların kirlilik derecesine göre ve arzu edilen yıkama yoğunluğunda yıkama işlemini en uygun hale getirmemize olanak tanır. Yıkama programını seçiniz, yıkama devri aynı derecede kirliliğe sahip olan çamaşırlar için en uygun olan “NORMAL” seviyede otomatik olarak ayarlanır, (otomatik olarak “NARİN” seviyede ayarlanan “Yünlüler” için geçerli olmayan ayar). Çok kirliliğe sahip çamaşırlar için cihaz “SÜPER YIKAMA” seviyeye ulaşana kadar  tuşuna basınız. Bu seviye, yıkama programının başlangıç aşamasında daha çok su ve daha fazla mekanik hareket kullanılması sayesinde yüksek verimde yıkama performansı sağlamaktadır ve en inatçı lekeleri bile ortadan kaldırmaya elverişlidir. Çamaşır suyu ile ya da çamaşır suyu olmadan kullanılabilir. Eğer beyazlatma işlemi gerçekleştirilmek istenir ise makine ile birlikte verilen ilave hazneyi 4, hazne 1 içine koyunuz. Çamaşır suyu dozajını ayarlarken orta seviyede gösterilen “max” seviyeyi geçmeyiniz (bakınız şekil syf. 70).

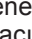


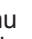
Az kirliliğe sahip çamaşırlar veya en hassas kumaşlar için “NARİN” seviyesine ulaşana kadar  tuşuna basınız. Hassas çamaşırlar için kusursuz yıkama sonuçlarını garanti etmek için mekanik hareket azaltılacaktır.

Durulama tipini seçiniz.

Opsiyonu  hassas ciltlere maksimum özen için arzu edilen durulama tipini seçmemize olanak tanır. Tuşa ilk basışta, tüm deterjan izlerini ortadan kaldırmak için standart durulamaya ilave yeni bir durulama seçmemize olanak tanıyan “EKSTRA DURULAMA” seviyesi ayarlanır. Tuşa ikinci basışta, standart durulamaya ilave iki durulama seçmemize olanak tanıyan ve hassas ciltler için tavsiye edilen “HASSAS CİLTLER İÇİN” seviyesi ayarlanır. Tuşa üçüncü kez basışta polen, mayt, kedi ve köpek tüyü gibi temel alerjenleri ortadan kaldırmak için standart durulamaya ilave üç durulama seçmemize olanak tanıyan “ANTI ALERJİ DURULAMA” seviyesi ayarlanır. “NORMAL DURULAMA” durulama tipine geri dönmek için tuşa yeniden basınız. Eğer ayarlamak veya mevcut olan ayarı değiştirmek mümkün değil ise ekranın üzerinde “KİLİTLİ” yazısı görüntülenecektir.

Yıkama özelliklerinin değiştirilmesi.





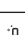
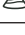





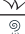



- Fonksiyonu çalıştırmak için tuşa basınız; ilgili uyarı lambası yanacaktır.
 - İşlevi kapatmak için aynı tuşa tekrar basınız; ilgili uyarı lambası sönecektir.
- ! Seçilen işlem yürütülen programla uyumlu olmadığı takdirde, uyarı lambası yanıp sönecek ve işlem başlamayacaktır.
- ! Seçilen fonksiyon ayarlanmış olan programla uyumlu olmadığı takdirde, ilk işlemlerle ilgili uyarı lambası yanıp sönecek ve etkinleştirilmiş işlev yanıp sönmeye sona erecektir.
- ! Fonksiyonlar önerilen yük seviyesi ve yıkama süresini değiştirebilirler.

- 7. PROGRAMIN ÇALIŞTIRILMASI.** BAŞLAT/BEKLE tuşuna basınız. İlgili uyarı lambası yeşil renkte sabit yanacak ve makinenin kapağı kilitlenecektir (MAKİNE KAPAĞI KİLİTLİ  uyarı lambası açıktır). Yıkama süresince ekranda seçilmiş olan program safhasının ismi görüntülenir. Devrede olan bir programı değiştirmek için START/PAUSE tuşuna basarak çamaşır makinesini beklemeye alınız (START/PAUSE uyarı lambası turuncu renkte yavaşça yanmaya başlayacaktır), istenilen programı seçiniz ve START/PAUSE tuşuna tekrar basınız. Yıkama esnasında makine kapağını açmak için BAŞLAT/BEKLE düğmesine basınız; MAKİNE KAPAĞI KİLİTLİ  sembolü kapalı ise, kapak açılacaktır. Yıkama programının kaldığı yerden devam etmesi için START/PAUSE tuşuna tekrar basınız.
- 8. PROGRAMIN BITMESİ.** “PROGRAM SONU” yazısıyla belirtilir. MAKİNE KAPAĞI KİLİTLİ  uyarı lambası kapağın açılabilir hale geldiğini belirtmek için söner. Makine kapağını açtıktan sonra çamaşırları boşaltıp makineyi kapatınız.
! Devrede olan bir programı iptal etmek için  tuşunu uzun süre basılı tutunuz. Program bitirilecek ve makine kapanacaktır.

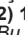

Programlar ve işlevler

TR

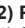
Program tablosu

Programlar	Program açıklaması	Maks. Isı derecesi (°C)	Maks Hız (Daki-kada devir)	Deterjan ve katkı maddeleri				Maks yük (Kg)	Kalan nem %	Enerji tüketimi kWh	Toplam su lt	Devir süresi
				Ön yıkama	Yıkama	Çamaşır suyu	Yumuşatıcı					
	LEKE ÇIKARMA	40°	1400	●	●	-	●	6	-	-	-	190'
	STANDART PAMUKLU 60° (tuşa 1 kez basınız) (1): çok kirli dayanıklı beyaz ve renkliler.	60° (Max. 90°)	1400	● (3)	●	●	●	10	53	1,09	85	210'
	STANDART PAMUKLU 40° (tuşa 2 kez basınız) (2): az kirli beyazlar ve nazik renkliler.	40°	1400	-	●	●	●	10	53	1,09	92	185'
	STANDART PAMUKLU 20° (tuşa 3 kez basınız): az kirli beyazlar ve nazik renkliler.	20°	1400	-	●	●	●	10	-	-	-	175'
	DAYANIKLI SENTETİKLER (tuşa 1 kez basınız): çok kirli dayanıklı renkli çamaşırlar.	60°	800	●	●	●	●	5,5	48	0,99	57	120'
	DAYANIKLI SENTETİKLER (4) (tuşa 1 kez basınız): az kirli dayanıklı renkli çamaşırlar.	40°	800	●	●	●	●	5,5	48	0,63	55	100'
	HASSAS SENTETİKLER (tuşa 2 kez basınız): az kirli dayanıklı renkli çamaşırlar.	40°	800	●	●	●	●	5,5	-	-	-	80'
	HIZLI YIKAMA 60° (tuşa 1 kez basınız): kirli çamaşırları kısa sürede yıkamak üzere kullanılır (yünlü, ipeklî, ve elde yıkanacak çamaşırlara uygun değildir).	60°	1400	-	●	-	●	4	53	0,54	57	60'
	HIZLI YIKAMA 30° (tuşa 2 kez basınız): az kirli çamaşırları kısa sürede yıkamak üzere kullanılır (yünlü, ipeklî, ve elde yıkanacak çamaşırlara uygun değildir).	30°	800	-	●	-	●	4	71	0,21	41	30'
M	MY CYCLE (HAFIZA): herhangi bir yıkama tipini hafızaya almayı sağlar.											
	NEVRESİM TAKIMLARI	60°	1400	●	●	-	●	10	-	-	-	155'
	Woolmark Platinum (YÜNLÜLER): yün ve kaşmir için kullanılır.	40°	800	-	●	-	●	2,5	-	-	-	100'
	HASSAS ÇAMAŞIRLAR	30°	0	-	●	-	●	1	-	-	-	80'
	SIKMA (tuşa 1 kez basınız)	-	1400	-	-	-	-	10	-	-	-	16'
	DURULAMA (tuşa 2 kez basınız)	-	1400	-	-	-	●	10	-	-	-	49'
	SU BOŞALTIMA (tuşa 3 kez basınız)	-	0	-	-	-	-	10	-	-	-	2'

Ekran veya kitapçık üzerinde gösterilen devre süresi, standart şartlara göre hesaplanmış tahmini bir süredir. Geçerli olan süre, girişteki sıcaklık derecesi ve suyun basıncı, ortam sıcaklığı, deterjan miktarı, yük miktarı ve tipi, yükün dengesi, seçilen ilave seçenekler gibi sayısız faktörlere göre değişiklik gösterebilmektedir.

- 1061/2010 düzenlemesine uygun test yıkama çevrimi: 60°C sıcaklıkta yıkama çevrimi  60°C yi seçin (tuşa 1 kez basınız). Bu devre, orta kirlilikteki pamuklu çamaşırları temizlemek için uygundur ve 60°C'de yıkanabilir çamaşırlar üzerinde kullanılacak, kombine enerji ve su tüketimi açısından en etkili devredir. Geçerli olan yıkama sıcaklık derecesi, belirtilen sıcaklık derecesinden farklı olabilir.
- 1061/2010 düzenlemesine uygun test yıkama çevrimi: 40°C sıcaklıkta yıkama çevrimi  40°C yi seçin (tuşa 2 kez basınız). Bu devre, orta kirlilikteki pamuklu çamaşırları temizlemek için uygundur ve 40°C'de yıkanabilir çamaşırlar üzerinde kullanılacak, kombine enerji ve su tüketimi açısından en etkili devredir. Geçerli olan yıkama sıcaklık derecesi, belirtilen sıcaklık derecesinden farklı olabilir.
- 60°C sıcaklıkta "Ön Yıkama" fonksiyonu etkinleştirilemez.

Bütün Test merkezleri için:

2) Pamuklular için kısa yıkama çevrimi: 40°C sıcaklıkta yıkama çevrimi  40°C yi seçin (tuşa 2 kez basınız).





4) Sentetik için uzun yıkama çevrimi:  programını 60°C'ye ayarlayınız (tuşa 1 kez basınız); sıcaklık derecesi 40°C (SICAKLIK tuşuna basınız).



Yıkama işlevleri

Ön Yıkama

Bu işlev seçildiğinde en dayanıklı lekeleri çıkarmak için kullanılan ön yıkama gerçekleştirilir

Not: Mevcut olan hazneye deterjan koyunuz.





! Sonraki programlarda uygulanamaz:    

 (60°),  (40°), 

Kolay ütü







Bu işlev seçildiğinde kırışıkları önleyecek şekilde yıkama ve sıkma devrinin özellikleri değiştirilecektir.

Devrin sonunda, çamaşır makinesi tamburu yavaş bir şekilde dönecek; KOLAY ÜTÜ ve BAŞLAT/DURAKLAT göstergesi ışıkları yanacak (turuncu) ve ekranda "PROGRAM SONU" yazısı görünecektir. Devri bitirmek için, START/PAUSE düğmesine veya KOLAY ÜTÜ düğmesine basın.

! Sonraki programlarda uygulanamaz:  "Hızlı Yıkama 30",   

Eco wash

Eco Wash fonksiyonu, hem çevre hem de elektrikli giriş için bir avantaj olan - çamaşırları yıkamak için kullanılan suyu ısıtmadan enerji tasarrufuna katkıda bulunmaktadır. Aslına bakılırsa, güçlendirilmiş etki ve en iyi şekilde kullanılan su tüketimi ortalama standart bir devre süresinde mükemmel sonuçların elde edilmesini garanti etmektedir. Daha iyi yıkama sonuçları elde etmek için, sıvı deterjan kullanımı tavsiye edilmektedir.

! Sonraki programlarda uygulanamaz:      

Deterjanlar ve amaşır

TR

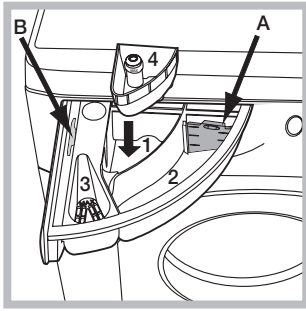
Deterjan haznesi

Yıkamanın iyi sonuç vermesi doğru dozda deterjan kullanılmasına da bağılıdır: aşırı deterjan kullanmak suretiyle daha temiz amaşır elde edilemeyeceğı gibi makinenin aksamına zarar verilerek, evre kirliliğine sebebiyet verilir.

! Beyaz pamuklu amaşır, ön yıkama ve 60°C'den yüksek sıcaklık derecesi ile yıkamalar için toz deterjan kullanınız.

! Deterjan ambalajı üzerinde aktarılan bilgileri takip ediniz.

! Elde yıkama deterjanları kullanmayınız, ünkü aşırı köpük yaparlar.



Deterjan haznesini açınız ve deterjan ile katkı maddelerini aşağıdaki şekilde koyunuz.

Bölüm 1: Ön yıkama deterjanı (toz)

Deterjanı dökmeden önce, ilave bölme 4'ün çıkarıldığından emin olun.

Bölüm 2: Yıkama deterjanı (toz veya sıvı)

Sıvı deterjan kullanılması halinde doğru doz ayarlaması için makinede gösterilen **A** kademesini kullanmanız önerilir. Toz deterjan ile yıkamalarda **B** kademesini kullanınız.

Bölüm 3: Katkı maddeleri (yumuşatıcı vs.)

Yumuşatıcı ızgaranın dışına taşmamalıdır.

ilave bölme 4: amaşır suyu


amaşır hazırlanması


- amaşırını aşağıdaki gibi ayırınız:
 - kumaş tipi / etiketteki işaret.
 - renkler: renkli amaşırını beyazlardan ayırınız.
- Ceplerini boşaltınız ve düğmeleri kontrol ediniz.
- Kurulum sırasında amaşırın ağırlığını gösteren "Programlar Tablosu"ndaki değerleri aşmayın.


amaşırın ağırlığı nedir?

- 1 arşaf 400-500 gr.
- 1 yastık kılıfı 150-200 gr.
- 1 masa örtüsü 400-500 gr.
- 1 bornoz 900-1.200 gr.
- 1 havlu 150-250 gr.

Özel programlar


LEKE IKARMA: Program , renkleri solmayan ve çok kirlili amaşırın yıkanması için uygundur. Program, standart sınıftan yüksek bir yıkama sınıfını garanti eder (A sınıfı). Farklı renkteki amaşırını bu programda yıkamayınız. Toz deterjan kullanılması ve inatçı lekeler için özel katkı maddeleri ile ön yıkama yapmanız önerilir.



Standart Pamuklu 20°C : kirlili pamuklu amaşır için idealdir. 40°'de bir yıkama ile mukayese edilebilen, soğuk suda da etkili olan performanslar, yinelenen ve karşılaştırılan en yüksek hız varyasyonu ile alışan mekanik bir hareket ile sağlanır.

NEVRESİM TAKIMLARI: Tek yıkama performansı ile havlu ve yatak arşafını yıkamak için yumuşatıcı kullanımını en uygun hale getiren, zaman ve enerji tasarrufu yapmanızı sağlayan  programını kullanınız. Toz deterjan kullanılması önerilir.

YÜNLÜLER: bu Hotpoint-Ariston amaşır makinesinin "Yünlüler" yıkama devresi, yıkama işlemi giysilerin etiketi üzerinde aktarılan talimatlara ve elektrikli ev aletinin üretici firması tarafından verilen talimatlara riayet ederek gerçekleştirildiğı sürece, "elde yıkanabilir" olarak sınıflandırılan yünlü amaşırın yıkanması için Woolmark Company tarafından test edilmiş ve onaylanmıştır. Hotpoint-Ariston, yıkama performanslarından ve su ve elektrik tüketiminden dolayı Woolmark Company tarafından Woolmark Apparel Care - Platinum sertifikasını elde eden ilk amaşır makinesi markasıdır. (M1135)



HASSAS AMAŞIRLAR: Taşlı veya pullu giysiler gibi çok hassas amaşırını yıkamak için  programını kullanınız.

İpekli kumaşları ve perdeleri yıkamak için programı  seçiniz ve  opsiyonunun "NARİN" seviyesini ayarlayınız.

amaşırını yıkamadan önce ters çevirmeniz ve küçük parçaları hassas amaşırın yıkanması için kullanılan özel torba içerisine koymanız önerilir.

Daha iyi sonuçlar elde etmek için hassas amaşırına özel sıvı deterjanın kullanılması önerilir.

Yük dengeleme sistemi

Aşırı titreminin engellenmesi ve yükün düzenli dağılıması için her sıkma devrinden önce iç sepet normal yıkama hızından biraz daha hızlı döner. Farklı şekillerde amaşırını makineye doldurduktan sonra yük dengeli hale gelmediyse makine daha yavaş bir sıkma devrini uygular. Yük çok dengesiz ise amaşır makinesi sıkma devrini gerçekleştirilmeden amaşırını dağıtır. Yükün daha iyi yerleştirilmesi ve dengeli olması için küçük giysi-lerle büyük giysileri karıştırınız.

Arızalar ve onarımlar

Çamaşır makinesi çalışmıyor olabilir. Teknik Servise başvurmadan önce (*Teknik Servis bölümüne bakınız*) aşağıdaki liste yardımıyla kolay çözülebilecek bir problem olup olmadığını kontrol ediniz.

Arızalar:

Olası nedenler / Çözümler:

Çamaşır makinesi çalışmıyor.

- Fiş prize takılı değil veya tam temas etmiyor.
- Evde elektrik yok.

Yıkama işlemi başlamıyor.

- Makinanın kapağı tam kapanmamış.
- ON/OFF düğmesine basılmamış.
- START/PAUSE düğmesine basılmamış.
- Su musluğu açık değil.
- Gecikmeli başlatmada bir gecikme süresi ayarlanmış.

**Çamaşır makinesi su almıyor (Ekran-
da "SU BAĞLANTISI YOK" yazısı
görüntülenecektir).**

- Su besleme hortumu musluğa takılı değil.
- Hortum bükülmüş.
- Su musluğu açık değil.
- Evde su kesik.
- Basınç yetersiz.
- START/PAUSE düğmesine basılmamış.

**Çamaşır makinesi devamlı su alıp
veriyor.**

- Tahliye hortumu yerden 65 ile 100 cm arasında yerleştirilmemiş (*bkz. "Montaj"*).
- Tahliye hortumunun başı suya girmiş (*bkz. "Montaj"*).
- Duvardaki tahliyenin hava boşluğu yok.

Bu kontrollerden sonra olumlu sonuç alınamazsa, musluğu ve kapatıp, çamaşır makinesini durdurarak Servise haber veriniz. Daire, binanın üst katlarındaysa, sifon olayı meydana gelerek çamaşır makinesi devamlı su alıp, veriyor olabilir. Bu sorunun çözümü için piyasada sifon önleyici valfler satılmaktadır.

**Çamaşır makinesi su boşaltmıyor
veya santrifüj yapmıyor.**

- Program su boşaltmayı öngörmüyor: bazı programlarda su boşaltma işlemini elle müdahale ederek başlatmak gerekir (*bkz. "Programlar ve işlevler"*).
- KOLAY ÜTÜ işlevi devrede: programı tamamlamak için START/PAUSE düğmesine basınız (*"Programlar ve işlevler"*).
- Tahliye hortumu bükülmüş (*bkz. "Montaj"*).
- Tahliye kanalı tıkalı.

**Çamaşır makinesi santrifüj esnasında
aşırı sarsılıyor.**

- Hazne, çamaşır makinesinin montajı esnasında düzgün çözülmemiş (*bkz. "Montaj"*).
- Çamaşır makinesinin bulunduğu zemin düz değil (*bkz. "Montaj"*).
- Çamaşır makinesi mobilyalarla duvar arasında sıkışmış (*bkz. "Montaj"*).

Çamaşır makinesi su kaçırıyor.

- Su giriş hortumu tam sıkılmamış (*bkz. "Montaj"*).
- Deterjan haznesi tıkanmış (temizlemek için *bkz. "Bakım ve özen"*).
- Tahliye hortumu düzgün takılmamış (*bkz. "Montaj"*).

**MAKİNE KİLİTLİ, ekran yanıp sönmek bir
arıza oluştuğunu gösterir (ör. F-01, F-..).**

- Makineyi kapatınız, prizden fişi çekiniz ve 1 dakika sonra tekrar açınız. Arıza çözülmüyorsa Teknik Servisine başvurunuz.

Aşırı köpük oluşuyor.

- Deterjan çamaşır makinesi için uygun değil ("çamaşır makinesi için", elde yıkama ve çamaşır makinesi için" veya benzer ibareler olmalıdır).
- Aşırı doz kullanıldı.

TR

Servise başvurmadan önce:

- Servise başvurmadan çözülebilecek bir arıza olup olmadığını kontrol ediniz (*"Arızalar ve onarımlar"* bölümüne bakınız);
- Programı tekrar başlatarak, sorunun çözümlenip çözülmeyeceğini görünüz;
- Aksi takdirde, garanti belgesinde belirtilen telefon numaralarından teknik servisi arayınız.

! Kesinlikle, yetkili olmayan tamircilere müracaat etmeyiniz.

Şunları bildirin:

- arıza tipini;
- cihazın modeli (Mod.);
- seri numarası (S/N).

Bu bilgiler, çamaşır makinesinin arkasındaki plakada bulunurlar.

Cihazın ömrü 10 yıldır.

Tüm Türkiye'de; Yetkili Teknik Servis, Orijinal Yedek Parça, Bakım Ürünlerimiz ve Garanti ile ilgili bilgi için:

☎ 0 212 444 50 10