

HD8920/01



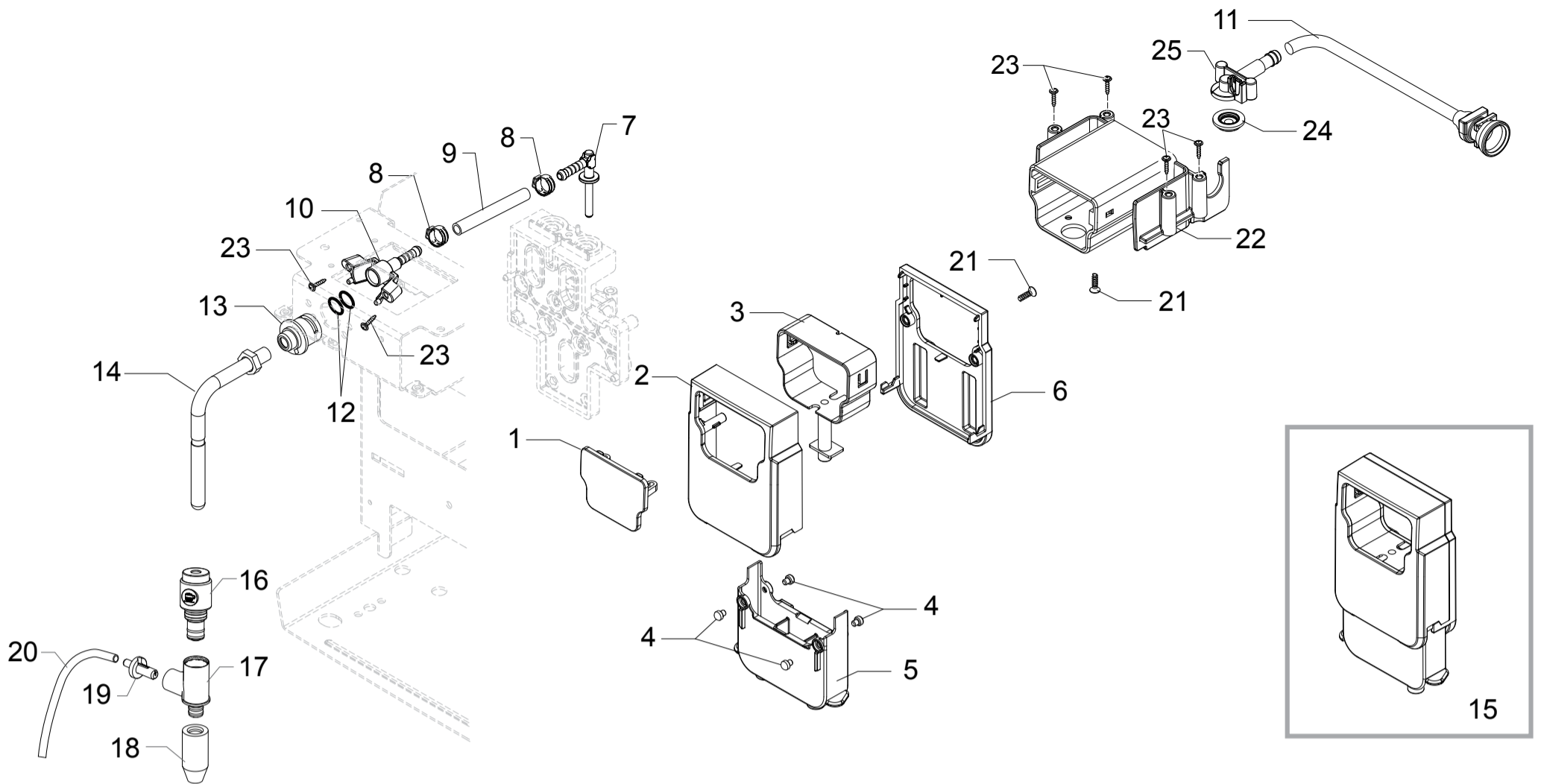
Cod.10004302

POS	CODE	12NC	DESCRIPTION	NOTE	POS	CODE	12NC	DESCRIPTION	NOTE
01	15004111	996530073312	DOCUMENTATION CD RYL/H ROYAL GRC ASSY.		38	0301.039.710	996530039463	7021/GREY DOOR CLOSURE KNOB	
02	146680850	996530016529	BLACK COFFEE MEASURE SMART		39	0301.040.150	996530039467	GREY DOOR CLOSURE LEVER	
03	127390100	996530011867	BRUSH FOR CLEANING		40	11031113	996530073309	BLACK STEEL CASING DOOR RYL	
04	11028379	996530070318	PSA KLUBER TRIBOSTAR SIL 2 TUBE 5GR.		41	17000240	996530068621	GREY MOUNTING PLATE INSERT RYL	
05	11021769	996530007136	BLACK RIGID FOOT FIXING PIN MYB9		42	12000450	996530007819	SCREW TCBR TORX 10 3,5X12 PLAST.ZN-N	
06	0301.961	996530039604	STICKER FOR WATER HARDNESS TEST		43	17000826	996530068571	BRASS CUPWARMING LID BUSH RYL	
07	183911050	996530025808	BLACK POWER CABLE SCHUKO L=1200		44	U324.005	996530062086	NUT M3 FLANGED INDENTED BASE	
08	17001881	996530073323	BLK SEAL BORE HOLE STEAM TUBE RYL/H		45	17001480	996530069766	BLK BEAN CONTAIN.SENSOR SUPP.INSERT RYL	
09	20006994	996530068582	KIT PS-E INSERT FOR BOX RYL		46	17000723	996530069771	GREY DUMP BOX GUIDE RYL	
10	13001629	996530073299	FLEXOGR.BOX RYL/H SAE ROYAL GR.CREMA WE		47	12001622	996530068586	SCREW TCB TORX B 3,5X9,5 SCHEET NIK	
11	11031091	996530073331	TXT/BLK FRONT CASING COVER RYL/H						
12	11031146	996530073315	BLACK STEEL CASING RYL/H ASSY.						
13	17002110	996530073308	BLACK CASING LEFT CLOSING INSERT RYL/H						
14	11030103	996530073337	CRC FRONT PANEL RYLO						
15	11031148	996530073328	TXT/BLK COVER CASING FRONT INSERT RYL/H						
16	17000349	996530067763	BLACK SEAL FOR CUPWARMING LID RYL						
17	17000175	996530068078	SB/SS CUPWARMING LID RYL						
18	11031092	996530073335	TXT/BLK DUMP BOX RYL ASSY.						
19	12000895	996530007951	SCREW TSP TORX 10 3X10 PLAST.SS						
20	129535721	996530012898	SCREW TSP TORX 10 AB 3,5X9,5 SHEET SS						
21	11021829	996530007156	BLACK/TRANSP.RIGID FOOT MYB9						
22	0301.041.150	996530039468	GREY BREW UNIT SUPPORT PLATE ROYAL						
23	0301.020	996530039377	NIK/BRASS PIN FOR DOOR SUPERAUT.						
24	17000391	996530068505	BLACK WATER LEVEL SENSOR SUPPORT RYL						
25	0301.019	996530039376	NIK/BRASS PIN FOR DOOR SUPERAUT.						
26	11031307	996530073314	BLACK CASING RIGHT CLOSING INSERT RYL						
27	17800207	996530068632	2POLES CONNECT.SUPPLY CUPWARMING RYL UL						
28	11003232	996530001522	AS.CPU+SW WATER LEVEL SENSOR V2						
29	17000422	996530068595	TRANSP.INFRAREDS PLATE RYL						
30	11031086	996530073303	TXT/BLK COVER CASING INSERT S/SCR.RYL						
31	11031084	996530073338	TXT/BLK CASING COVER S/S.GRANCREMA RYL/H						
32	WGA4316031000	996530063553	ADHESIVE HEATING-ELEMENT 230V						
33	17800254	996530068587	2POLES CONNECT.LEVEL DRIP TRAY RYL UL						
34	11025739	996530068593	SB/SS GROUND CONT.DOOR COVER S/S.RYLASS						
35	17000239	996530068622	GREY BEAN CONTAINER SENSOR SUPPORT RYL						
36	11027680	996530068534	7021/GREY DOOR COVER S/SCR.RYL						
37	U433.001	996530062096	NAIL 2X06 UNI 7591 BURN.						



ROYAL GRAN CREMA

TABLE 1/8



HD8920/01

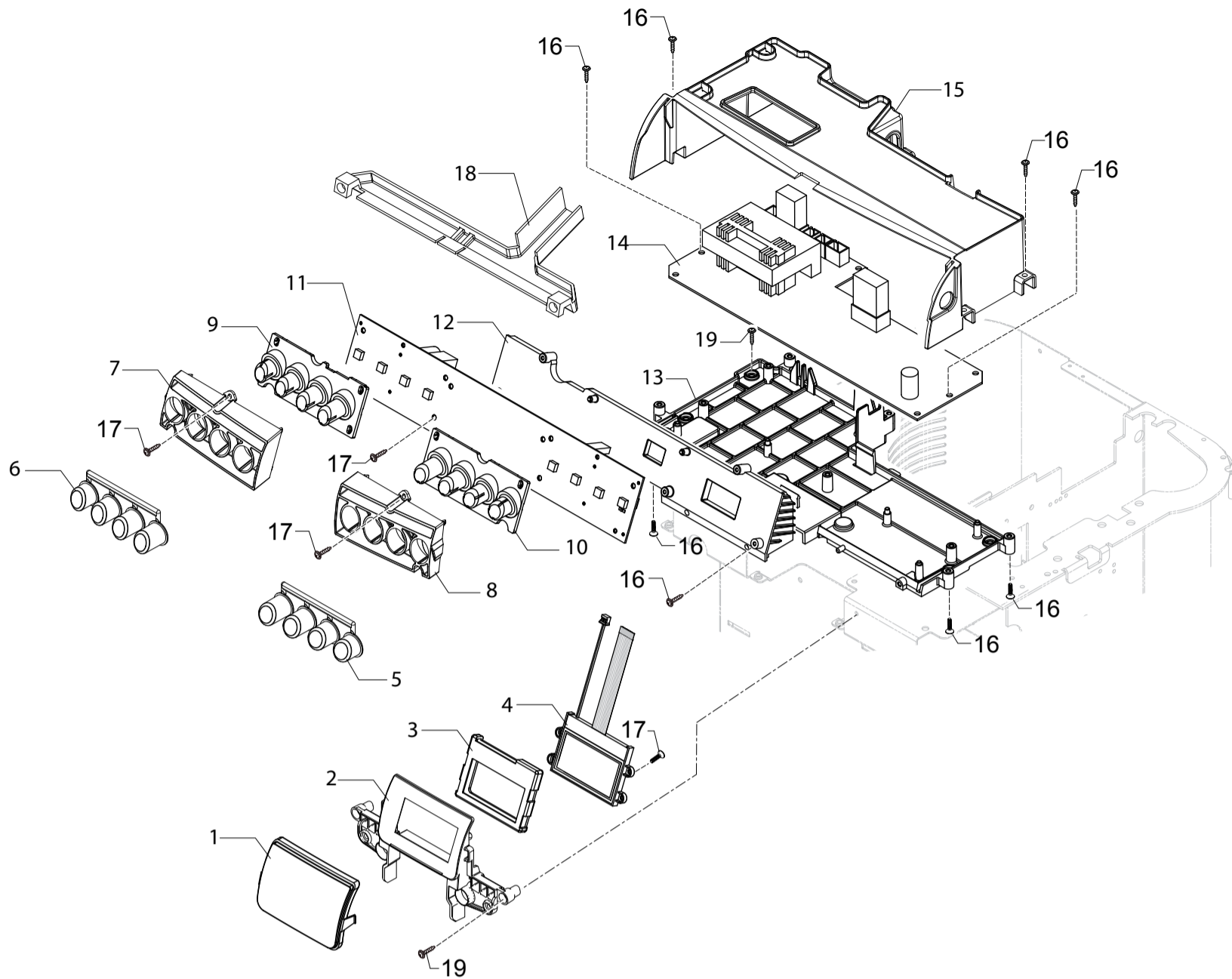


Cod.10004302

POS	CODE	12NC	DESCRIPTION	NOTE	POS	CODE	12NC	DESCRIPTION	NOTE
01	11031102	996530073301	CRC FRONT COFFEE DISPENSER COVER RYL/H						
02	11030102	996530073327	CRC FRONT COF.DISPENSER COVER RYL						
03	17000251	996530068634	BLACK INNER BODY COFFEE DISPENS.RYL						
04	11013085	996530006614	WHITE COFFEE DISPENSER SLIDER MYB9						
05	17000246	996530068572	BLACK EXT.MOBILE PART COF.DISPENSER RYL						
06	17000248	996530068638	BLACK REAR COVER COFFEE DISPENSER RYL						
07	11031165	996530073233	TEA/BRASS CAPPUC/STEAM TUBE CONN.V3 RYL						
08	12000892	996530007947	OETIKER CLAMP D=9,5 16700004						
09	16000380	996530009505	5X8,9 SILICONE TUBE IN ROLL						
10	17000724	996530073298	BLACK STEAM TUBE SUPPORT RYL/H						
11	17000614	996530068609	BLACK DISPENSER COFF.INLET CONNECT.RYL						
12	140324461	996530013509	OR ORM 0060-20 TERMOIL						
13	11011127	996530005979	BLACK PA6 BUSH FOR STEAM TUBE P0057						
14	11031110	996530073296	TF/CHROM.STEAM TUBE D=6 RYL/H ASSY.						
15	11030101	996530073321	CRC COFFEE DISPENSER RYL ASSY.						
16	11026707	996530068055	BLACK STEAM TUBE HANDGRIP S/SCR.NPR/H						
17	20007022	996530068692	SPARES KIT SS/BLK CAPP.UPPER PART NPR/H						
18	20007021	996530068684	SPARES KIT SS/BLK CAPP.LOWER PART NPR/H						
19	17001459	996530068727	BLK CAP.MILK TUBE CONNECT.D=1,05 NPR/H						
20	229363500	996530031599	SILICONE TUBE 3,5X6 L=400 MM						
21	12001622	996530068586	SCREW TCB TORX B 3,5X9,5 SCHEET NIK						
22	17000257	996530068548	BLACK.COFFEE DISPENSER SUPPORT RYL						
23	12000450	996530007819	SCREW TCB TORX 10 3,5X12 PLAST.ZN-N						
24	17000337	996530068501	BLACK SEAL FOR COFFEE DISPENSER RYL						
25	17000616	996530068611	BLACK COFFEE DISPENSER TUBE RYL						



ROYAL GRAN CREMA



HD8920/01

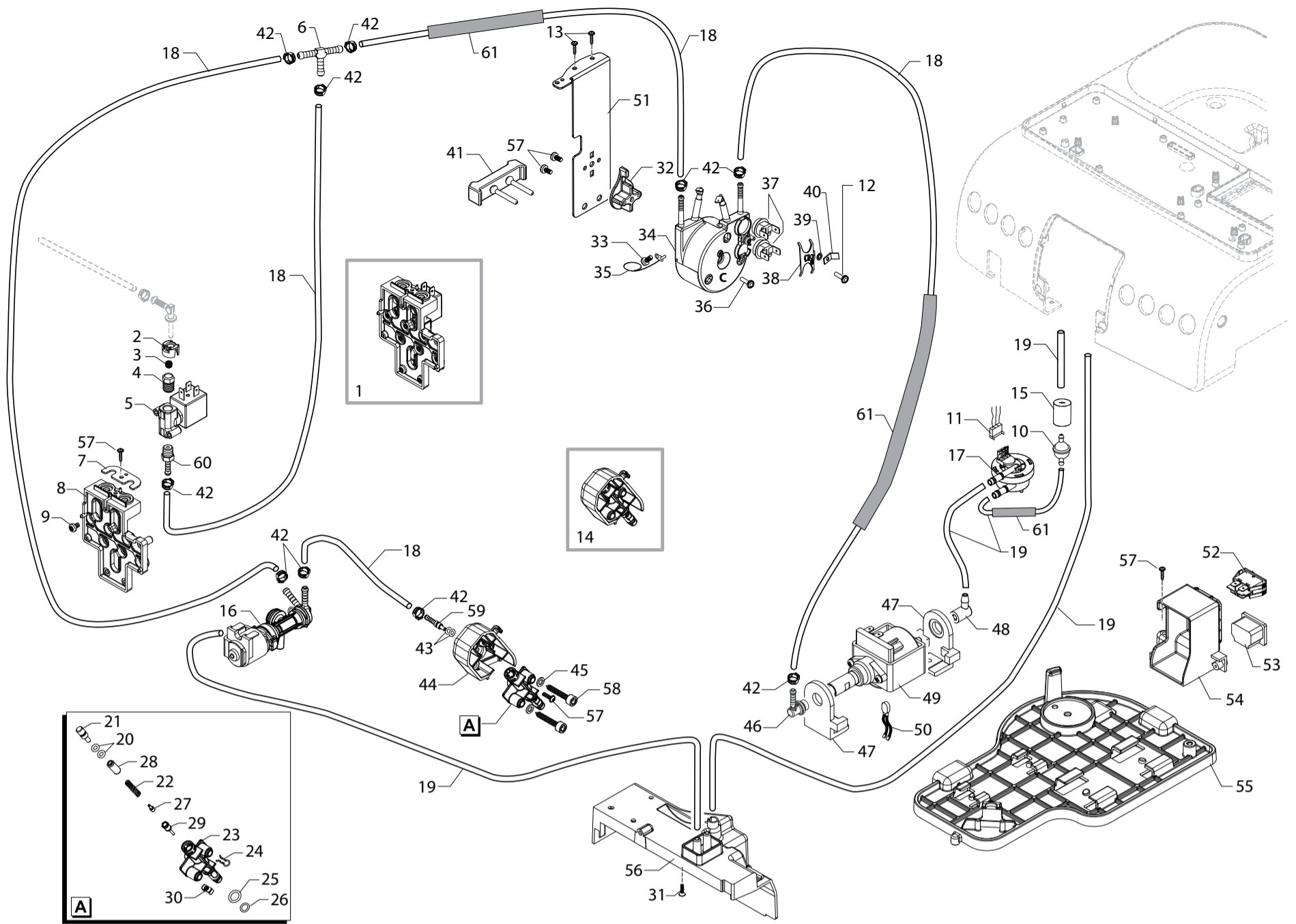


Cod.10004302

POS	CODE	12NC	DESCRIPTION	NOTE	POS	CODE	12NC	DESCRIPTION	NOTE
01	17000269	996530068575	TRANSP.GLASS FOR DISPLAY RYL						
02	17000259	996530068535	BLACK DISPLAY INSERT RYL						
03	17000271	996530068556	BLACK DISPLAY SEAL RYL						
04	12001606	996530068584	AMBER DISPLAY 160x80 0355DP RYL						
05	17001972	996530073311	BLK RIGHT TOUCH PANEL COVER V2 S/S.RYL/H						
06	17001973	996530073339	BLK LEFT TOUCH PANEL COVER V2 S/S.RYL/H						
07	17000488	996530068523	BLACK LEFT TOUCH PANEL SUPPORT RYL						
08	17000244	996530068646	BLACK RIGHT TOUCH PANEL SUPPORT RYL						
09	17000434	996530068488	TRANSP.LEFT TOUCH PANEL RYL						
10	17000430	996530068507	TRANSP.RIGHT TOUCH PANEL RYL						
11	11030792	996530073307	CPU+SW RYL/H ASSY.						
12	17000274	996530068637	BLACK CPU BOARD SUPPORT RYL						
13	17000275	996530068624	BLACK PWR BOARD SUPPORT RYL						
14	11030790	996530073325	PWR BOARD RYL/H 230V						
15	17000277	996530068613	BLACK CPU-PWR BOARDS COVER RYL						
16	12000450	996530007819	SCREW TCB TORX 10 3,5X12 PLAST.ZN-N						
17	129913202	996530013156	SCREW TCB TORX 10 3X8 PLAST.ZN-B						
18	17001152	996530068099	POWER BOARD PROTECTION RYL						
19	12001622	996530068586	SCREW TCB TORX B 3,5X9,5 SCHEET NIK						



ROYAL GRAN CREMA



HD8920/01



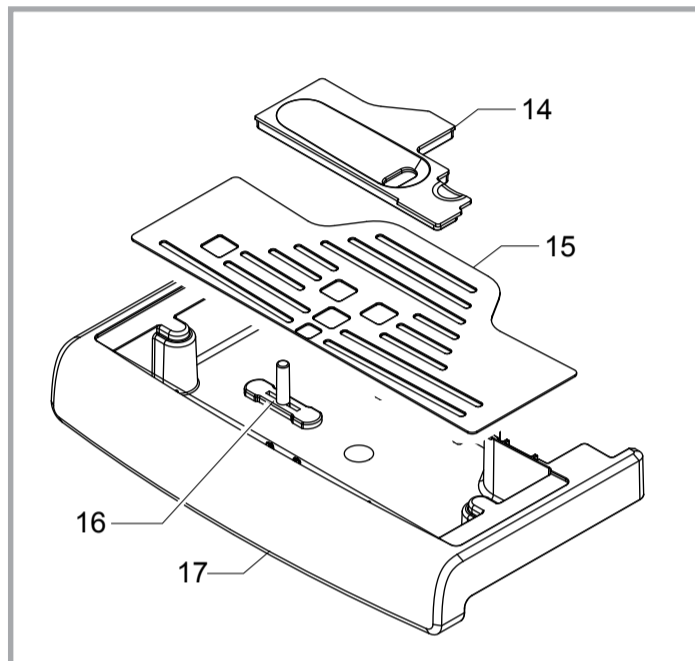
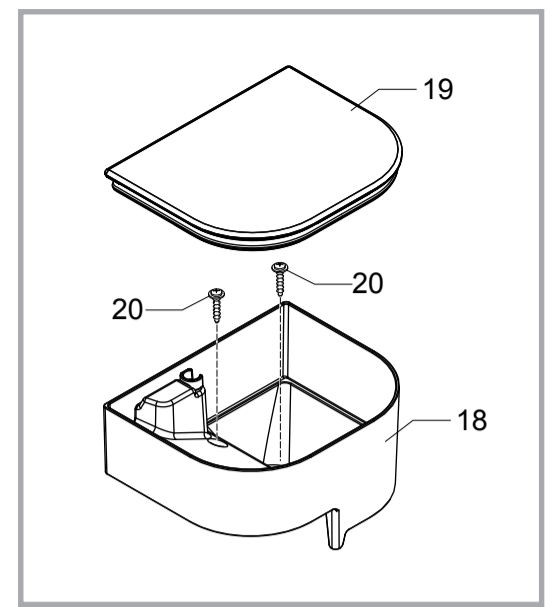
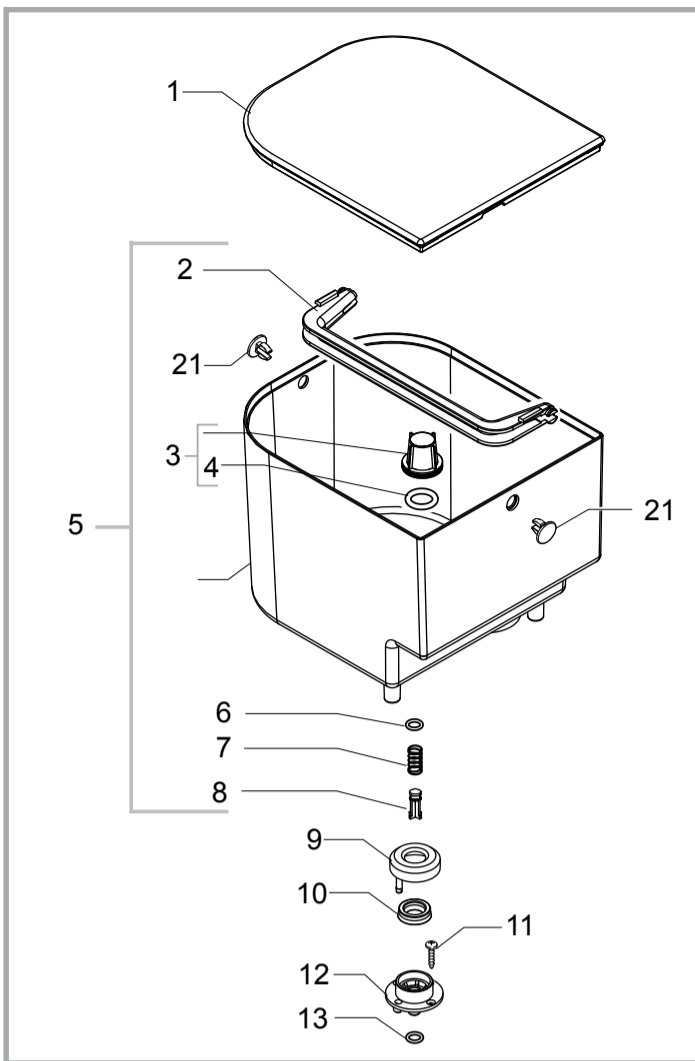
Cod.10004302

POS	CODE	12NC	DESCRIPTION	NOTE	POS	CODE	12NC	DESCRIPTION	NOTE
01	11031099	996530073336	TEA/BRASS ELECTROV.24V RYL/H ASSY.		38	11001751	996530000997	TUB.BOILER V3 UPPER THERM.FIXING SPRING	
02	17001178	996530068101	BLK EV 1/8"GAS.CONNECTOR V2 INSERT RYL		39	128310402	996530012341	GALV.WASHER UNI 8842 A4	
03	17001909	996530072435	RED EV CONNECTOR 1/8"GAS SEAL V2 RYL		40	124390520	996530011326	BRASS BENT FASTON 45° 6,3X0,8	
04	11027334	996530068604	TEA/BRASS ELECTROV.CONNECT1/8"GAS V2 RYL		41	17000471	996530069779	BLACK BOILER ANTIVIBRATION RYL	
05	11024038	996530067667	BRASS 2WAY EV 21JN1RRV20-XT+LBV05024CU		42	12000892	996530007947	OETIKER CLAMP D=9,5 16700004	
06	11007493	996530004363	T CONNECTOR FOR BOILER P604		43	140328059	996530013564	OR 2015 SILICONE PTFE/FDA	
07	17000428	996530067861	STEEL CONNECTORS FIXING PLATE RYL		44	17000156	996530068557	BLACK HOT WATER PIN SUPPORT RYL	
08	17000168	996530068616	BLACK ELECTROV/CONNECTOR SUPP.RYL		45	128310521	996530012346	WASHER UNI 8842 A5 SS	
09	U043.012	996530061815	SCREW TCB TORX 20 M4X6 ZN-B		46	11001054	996530000624	BLK PUMP OUTLET 90°CONNECTOR P0049/B	
10	12001595	996530067498	TRANSP/WHITE ASPIRATION FILTER MDS		47	11022857	996530007468	BLACK PUMP SUPPORT GMYB	
11	17800214	996530068521	6POLES CONNECTOR FLOWMETER RYL UL		48	147920150	996530017348	90° INLET PUMP CONNECTOR	
12	12001715	996530069758	SCREW TCB TORX 20 M4X8 AUTOFORMING ZN-B		49	12000140	996530007753	ULKA PUMP EP5/S GW	230V-50HZ
13	12001622	996530068586	SCREW TCB TORX B 3,5X9,5 SCHEET NIK		50	17800202	996530068528	2POLES CONNECTOR COFFEE PUMP RYL UL	
14	11025744	996530068578	TEA/BRASS HOT WATER PIN RYL ASSY.		51	17001971	996530073305	STEEL COFFEE TUBOL.BOILER SUPPORT RYL/H	
15	147756562	996530017211	BLK PROTECTION FOR FOLK SPRING TUBE D=4		52	NE03.038	996530058836	BIPOLAR SWITCH FUSIT C1250AR	
16	11031116	996530073304	BLOWDOWN VALVE V3 RYL 24V ASSY.		53	12001883	996530072437	CUP SOCKET V3 EN 60320 C 13	
17	NV99.099	996530059843	TURBINE D=1,2 932-8521/00 ASSY.		54	17000162	996530068617	BLACK SOCKET-SWITCH SUPPORT RYL	
18	16000380	996530009505	5X8,9 SILICONE TUBE	IN ROLL	55	17000160	996530068573	BLACK COMPONENTS SUPPORT RYL	
19	JS01.022	996530057357	SILICONE TUBE 5X10 60SH	IN ROLL	56	17000165	996530068644	BLACK DRIP TRAY PROTECTION RYL	
20	140326662	996530013547	OR ORM 0040-20 SILICONE		57	12000450	996530007819	SCREW TCB TORX 10 3,5X12 PLAST.ZN-N	
21	11026413	996530068052	TEA/BRASS HOT WATER PIN PLUG RYL		58	11003555	996530001731	GALVANIZED SELF-TAPPING SCREW 4,8X32	
22	9011.132	996530048874	SS SPRING FOR PIN		59	11000750	996530000479	TEA/BRASS CONNECTOR FOR SILICONE TUBE	
23	9161.434	996530050895	HOT WATER PIN		60	11006304	996530003471	TEA/BRASS CONNECTOR FOR ALUM.BOILER	
24	9011.144	996530048885	SS FORK FOR TUBE D=4		61	16000540	996530009523	TRANSPAR.11X12,8 SILICONE TUBE	IN ROLL
25	NM01.035	996530059399	OR ORM 0090-20 SILICONE						
26	NM01.057	996530059419	OR ORM 0050-20 IN SILICONE			11031097	996530073324	COFFEE TUB.BOILER 230V RYL/H ASSY. WITH PART.N°12-32-34-35-36-37-38-39-40-41-51-57	230V-1900W
27	11009013	996530005176	TEA/BRASS PIN FOR PISTON L=10						
28	11009012	996530005175	TEA/BRASS BOILER PIN BUSH						
29	11009019	996530005183	TEA/BRASS PISTON L=20,9 ASSY.						
30	11005099	996530002747	NATURAL CURSOR V2 FOR BOILER P119						
31	129913902	996530013164	SCREW TCB TORX 10 3X12 PLAST.ZN-B						
32	11023282	996530007608	BLACK SLIM TUB.BOILERS SUPPORT MYB9						
33	129573402	996530012923	SCREW TAPT M4X10 DIN 7985 GALV						
34	11031208	996530073082	HP/SLIM TUB.BOILER MDS/B ASSY	230V - 1900W					
35	190800100	996530026997	TEMPERATURE SENSOR NTC UL L=280MM						
36	12001280	996530008024	SCREW TSP TORX 10 5X20 PLAST.ZN-B						
37	12001033	996530007973	THERMOSTAT ONE SHOT 190°						



ROYAL GRAN CREMA

TABLE 4/8



HD8920/01



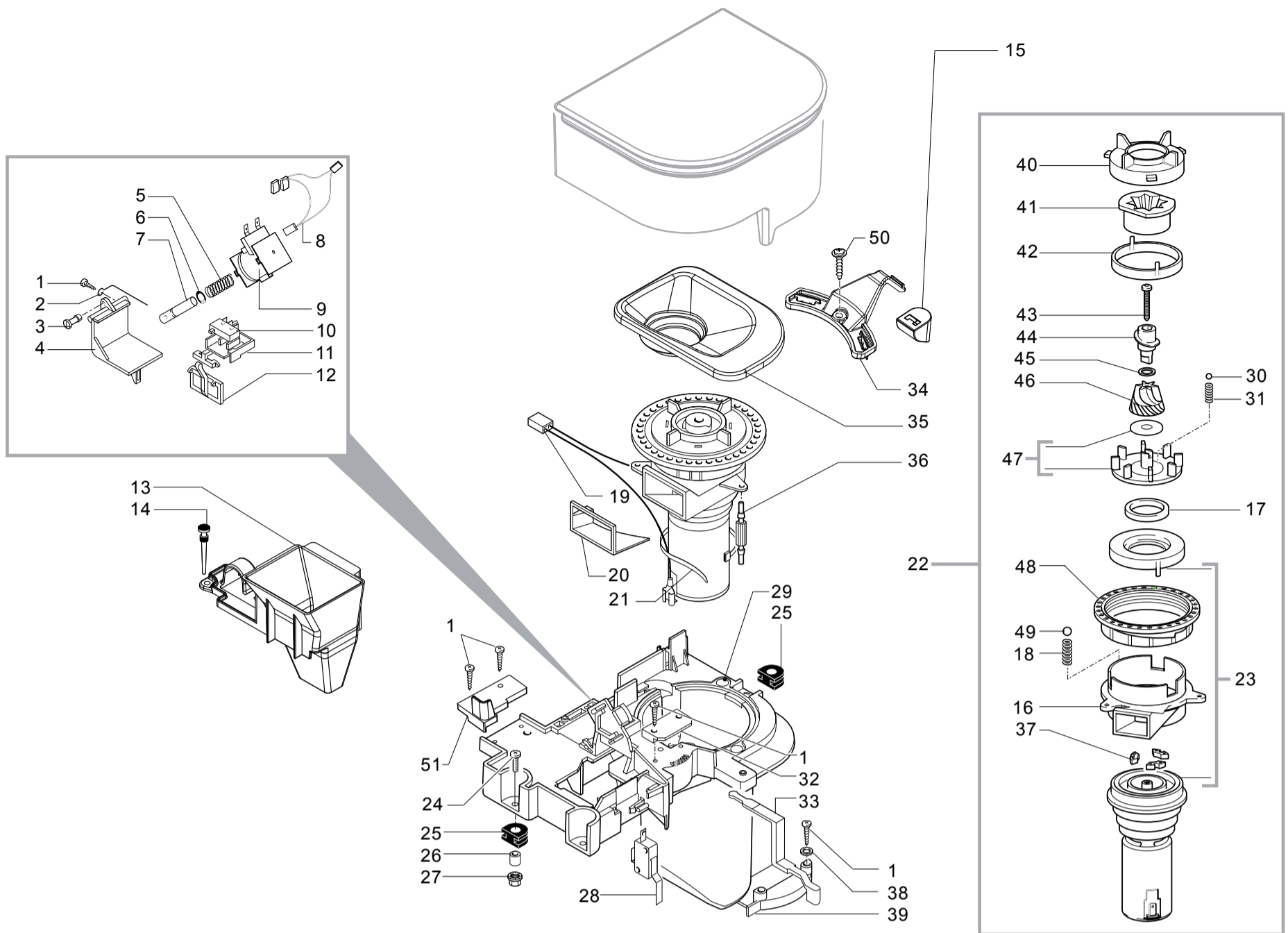
Cod.10004302

POS	CODE	12NC	DESCRIPTION	NOTE	POS	CODE	12NC	DESCRIPTION	NOTE
01	11031090	996530073333	TXT/BLK WATER CONTAINER LID RYL						
02	17000174	9965300688645	BLACK WATER CONTAINER HANDLE RYL						
03	224640200	996530029115	WHITE WATER CONTAINER EXT.FILTER ASSY.						
04	140328461	996530013571	OR ORM 0190-10 EPDM						
05	11025725	996530068579	NAT/GREY WATER CONTAINER S/SCR.RYL ASSY.						
06	140324362	996530013507	OR ORM 0060-30 SILICONE						
07	126764718	996530011626	SS WATER CONTAINER VALVE SPRING						
08	147660562	996530016894	GREY PISTON FOR WATER CONTAINER VALVE						
09	0701.031.150	996530044417	GREY WATER VALVE GACO DIM 14 SEAL COVER						
10	145842900	996530015823	NBR WATER CONT.VALVE GACO DIM14 SEAL						
11	12000895	996530007951	SCREW TSP TORX 10 3X10 PLAST.SS						
12	0701.014.150	996530044404	GREY WATER VALVE GACO DIM 14 SEAL CONT.						
13	140320461	996530013446	OR ORM 0080-20 TERMOIL						
14	17000982	9965300688641	BLACK DRIP TRAY COVER RYL						
15	17000721	996530073326	BA/SS DRIP TRAY GRATE RYL/H						
16	17000991	996530068538	RED FLOAT V2 FOR DRIP TRAY RYL						
17	11031093	996530073318	TXT/BLK DRIP TRAY RYL ASSY.						
18	17000188	996530068506	NAT/GREY BEAN CONTAINER RYL						
19	11031089	996530073316	TXT/BLK BEAN COF.CONT.LID RYL ASSY.						
20	12001431	996530008052	SCREW TCB TORX 10 3X12 PLAST.SS						
21	17001255	996530068513	BLACK PLUG FOR WATER CONTAIN.HANDLE RYL						



ROYAL GRAN CREMA

TABLE 5/8



HD8920/01



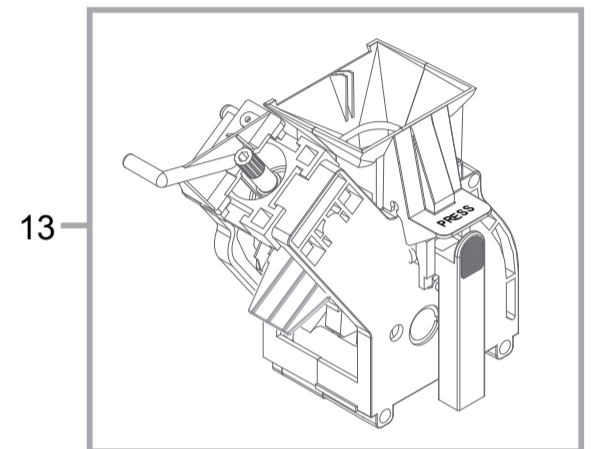
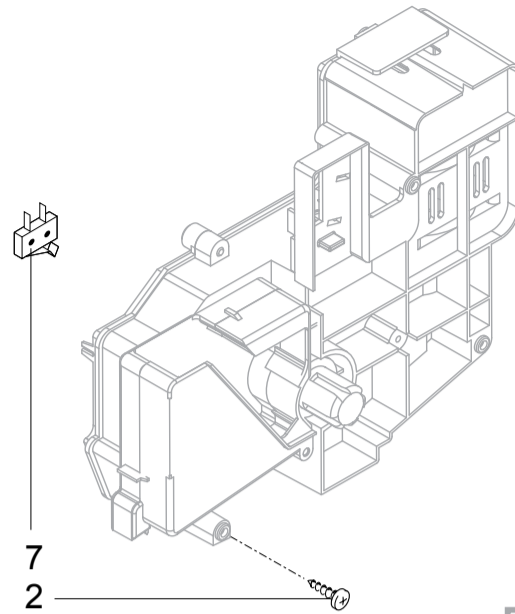
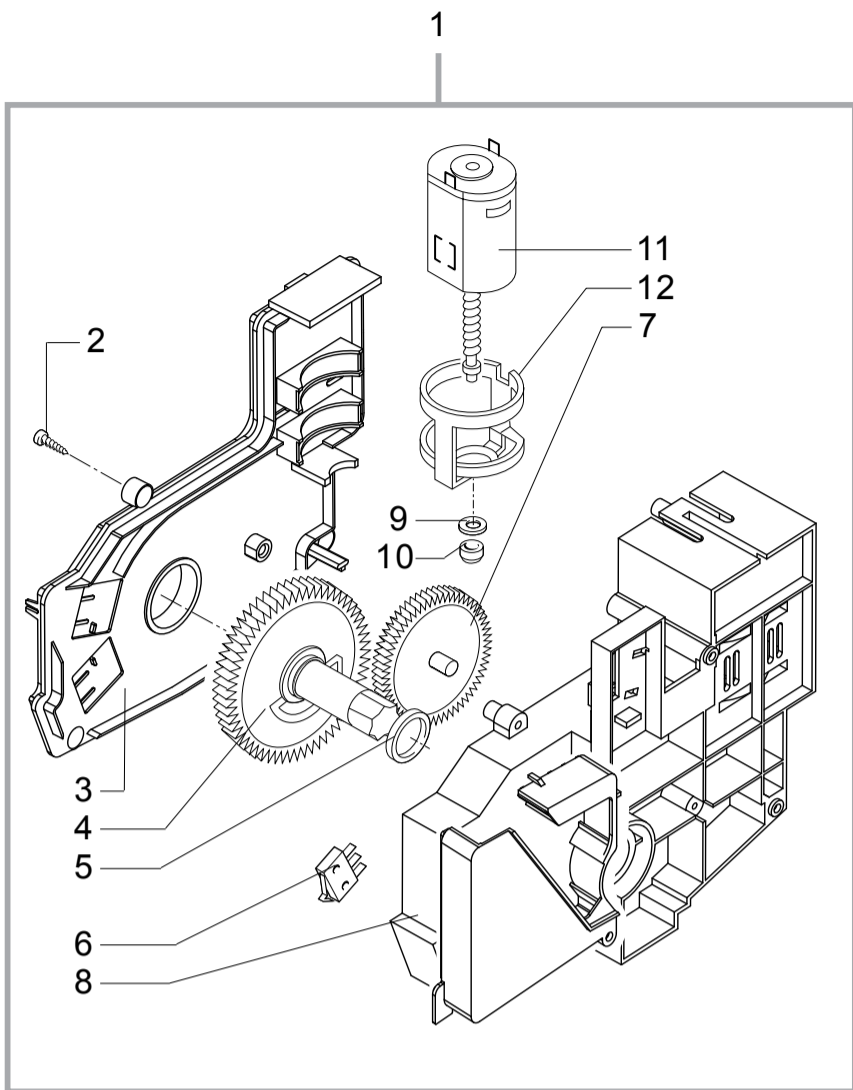
Cod.10004302

POS	CODE	12NC	DESCRIPTION	NOTE	POS	CODE	12NC	DESCRIPTION	NOTE
01	129913902	996530013164	SCREW TCB TORX 10 3X12 PLAST.ZN-B		38	U201.001	996530062018	PLAIN WASHER 3,2X9 DIN 7349 GALV.	
02	9161.048	996530050457	STEEL GROUND COF.DOSER SCRAPER ROD		39	9161.403.150	996530050859	GREY COFFEE DOSE ADJUSTMENT SCALE	
03	9161.076.150	996530050504	GREY GROUND COF.DOSER DOOR PIN		40	149186150	996530017774	BLACK UPPER GRINDER SUPPORT MAGIC	
04	9161.074.150	996530050502	GREY GROUND COFFE DOSER DOOR		41			<b>PARTICULAR NOT AVAILABLE</b>	SEE PART.N°46
05	126764818	996530011627	SPRING ELECTROM.BEAN DOSER MAGIC		42	142844550	996530014804	UPPER GRINDER COVER COFFEE GRIND. MAGIC	
06	U701.003	996530062102	SNAP RING 7 UNI 7434		43	129931002	996530013185	TORX SCREW T10 TCB 3,5X40 SX ZNG	
07	9161.041	996530050449	STEEL GROUND COF.DOSERELECTROMAGN.CORE		44	147470763	996530016718	BLK INCREASE SCREW PIN COF.GRINDER MAGIC	
08	17800211	996530068539	4POLES CONNECT.COIL+DOSER MICRO RYL UL		45	U201.002	996530062019	PLAIN WASHER 10X16X0,2DIN 988 GAL	
09	11025734	996530068546	DOSER COIL FOR SUPERAUTOM.24V DC ASSY.		46	226473500	996530029672	KIT TECNA GRINDERS	WIHT PART.N°41
10	NE05.017	996530058851	MICROSWITCH		47	149188750	996530017803	CONICAL GRIND. SUPP. + RING MAGIC	
11	9161.072.150	996530050499	GREY MICRO SUPP.CURSOR GROUND COF.DOSER		48	146570950	996530016473	RING NUT FOR GRINDING ADJUSTMENT MAGIC	
12	9161.073.150	996530050501	GREY GROUND COFDOSE CONTROL.COMPENSATOR		49	128610421	996530012441	STAIL.STELL AISI 304 SPHERE D=3,2MM	
13	17000176	996530068542	BLACK HOPPER FOR POWDER COFFEE RYL		50	12000450	996530007819	SCREW TCB TORX 10 3,5X12 PLAST.ZN-N	
14	9161.082	996530050528	RUBBER COUPLER		51	17001155	996530068569	GREY COVER FOR DOSER HOLE RYL	
15	17000351	996530067864	BLK/EPDM GRIND.ADJUST.LEVER HANDGRIP RYL						
16	9141.080	996530050296	BLACK COFFEE GRINDER MOTOR SUPPORT						
17	140360200	996530013594	FELT RING 40X34X5						
18	126770117	996530011685	NEW SPRING SPHERE D=3,2 MOTOR MAGIG						
19	17800209	996530068552	2POLES CONNECTOR GRINDER MOTOR RYL UL						
20	1505.014	996530046545	COFFEEGRINDER SEAL						
21	144320200	996530015373	SELF LOCK STRIP W=2.6 L=200						
22	9140.036.00A	996530065687	COFFEE GRINDER STD 230V ASSY.						
23	0301.R10.00A	996530039645	SPARE MOTOR UNIT MC 230V						
24	U043.004	996530061808	ZN-B TCB SCREW M4X16						
25	9991.005	996530051757	RUBBER FOR COFFEE GRINDER						
26	9141.003	996530050198	SPACER FOR RUBBER						
27	U324.006	996530062087	NUT M4 FLANGED INDENTED BASE						
28	12001605	996530068492	MICROSWITCH						
29	9161.365.150	996530050815	GREY PLATE COFFEEGRINDER MAGIC/ROYAL						
30	128610521	996530012442	STAIL.STEEL AISI 304 SPHERE D=5,5MM						
31	126765517	996530011635	STEEL SPRING SPHERE D=5,5 MOTOR MAGIC						
32	9161.097.150	996530050542	GREY GROUND COF.DOSER LEVER FIXING PLATE						
33	0313.003.150	996530040548	7016/GREY GROUND COF.DOSERADJUSTM.LEVER						
34	17000198	996530068525	BLACK GRINDING ADJUSTM.LEVER RYL						
35	17000238	996530068498	COFFEE GRINDER SOUNDPROOFING COVER RYL						
36	9991.103	996530051824	ANTIVIBRATION FOR COFFEEGRINDER						
37	140230400	996530013437	SHOCK ABS .CONICAL GRINDER SUPP.MAGIC						



ROYAL GRAN CREMA

TABLE 6/8



HD8920/01



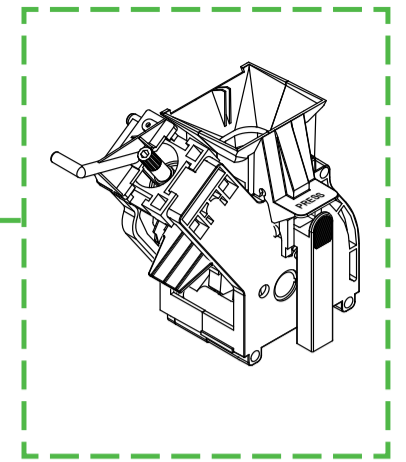
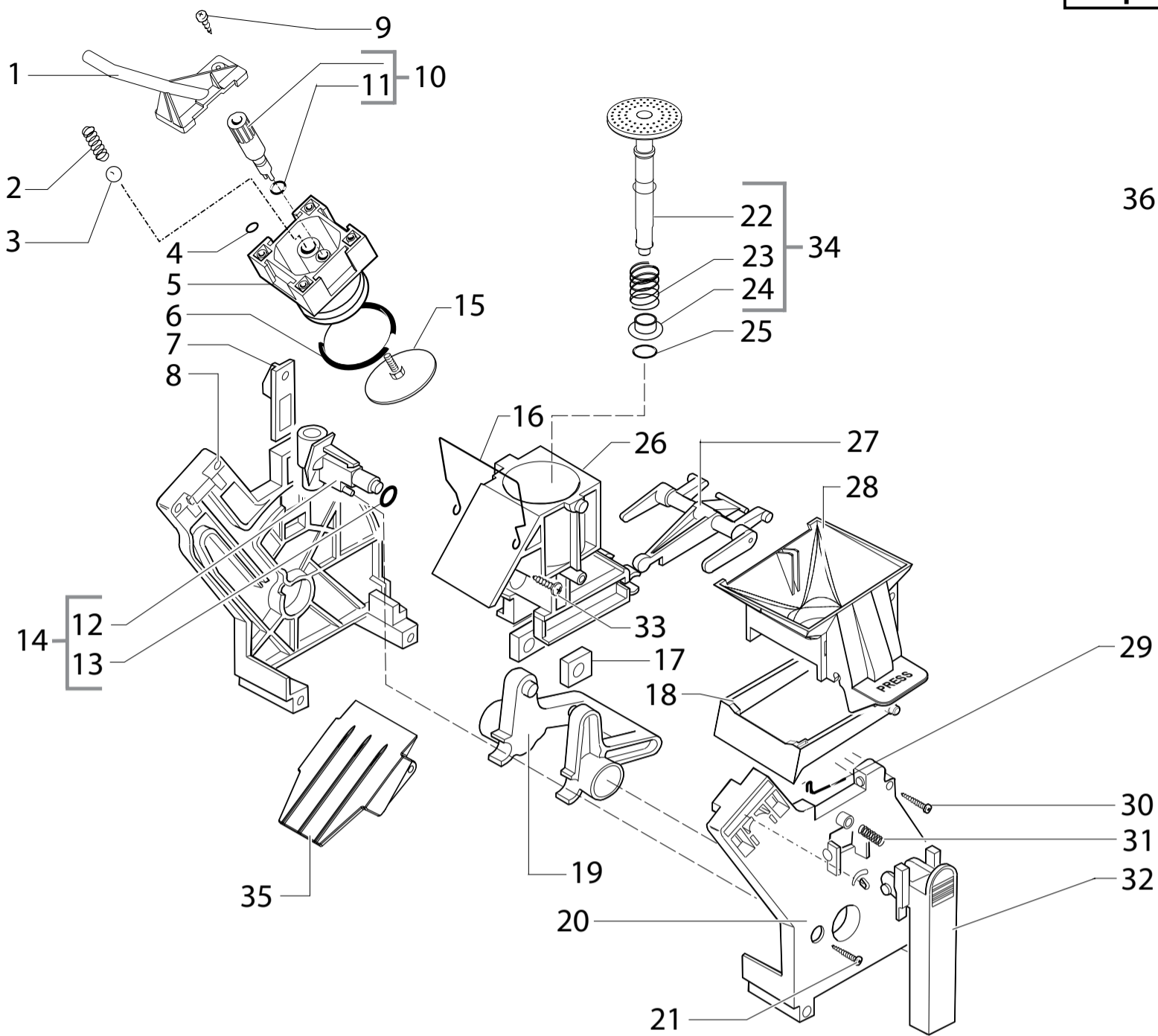
Cod.10004302

POS	CODE	12NC	DESCRIPTION	NOTE	POS	CODE	12NC	DESCRIPTION	NOTE
01	11025736	996530068554	RATIOMOTOR RYL ASSY.						
02	129670202	996530012996	TCB PANELVIT SCREW 3,5X16 TESTA D=8 ZNP						
03	17000719	996530068503	GREY RATIOMOTOR LID RYL						
04	11007137	996530004086	BLACK GEAR Z=77 V2 FOR RATIOMOTOR P124						
05	9161.368	996530050821	MYLAR WASHER FOR RATIOMOTOR						
06	NE05.038	996530058869	MICROSWITCH SAIA XCG5-81-P5						
07	146002800	996530016272	GREY GEAR Z=13/90 FOR RATIOMOTOR P124						
08	11026258	996530068529	GREY RATIOMOTOR CASING WITH TUBE ASSY.						
09	148380200	996530017424	BAKELIZZATE WASHER D=5,5						
10	9121.046	996530049898	BRONZE SINTERED BUSH FOR MOTOR RATIOMOT.						
11	11005214	996530002796	MOTOR FOR RATIOMOTOR P124 ASSY.						
12	9121.044	996530049896	ANTIVIBRATION FOR MOTOR						
13	11031584	996530073329	BLACK BREW UNIT RYL						



ROYAL GRAN CREMA

TABLE 7/8



HD8920/01



Cod.10004302

POS	CODE	12NC	DESCRIPTION	NOTE	POS	CODE	12NC	DESCRIPTION	NOTE
01	11003789	996530001913	BLACK COFF.OUTLET SLEEVE BREW UNIT ROYAL						
02	9161.222	996530050657	SS.CONICAL SPRING						
03	9991.168	996530051874	GLASS SPHERE D.5 MM						
04	11021334	996530007075	BLK COUNTERPISTON SEAL DE=11 DI=8 SP=1,4						
05	11003796	996530001921	BLACK BREW UNIT COUNTERPISTON M5000						
06	NM01.044	996530059406	OR ORM 0320-40 SILICONE PTFE/FDA						
07	11004114	996530002053	BLACK BREW UNIT COUPLING PLATE						
08	11003792	996530001916	BLACK BREW UNIT REAR PLATE M5000						
09	U140.019	996530061983	SCREW TCB TORX 10 3X16 PLAST SS						
10	227470150	996530030009	PIN BLACK ASS.FOR PERCOLATOR						
11	NM02.006	996530059439	OR R5 TERMOIL						
12	9161.064.050	996530050488	BLACK WATER INLET SLEEVE BREW UNIT ROYAL						
13	NM02.007	996530059441	OR 2025 IN TERMOIL						
14	20000440	996530009825	BLACK WATER INLET SLEEVE BREW UNIT ASSY.						
15	9160.075	996530050382	PERCOLATOR DE=35,8 ELFO ASSY.						
16	11001556	996530000898	SS BREW UNIT SPRING H=49 SMART						
17	9161.094.050	996530050539	BLACK BREW UNIT DRILLED BLOCK						
18	11004161	996530002096	BLACK SCRAPER FOR BREW UNIT M5000						
19	9161.066.050	996530050492	BLACK BREW UNIT ELBOW SHAFT M5000						
20	11003793	996530001917	BLACK BREW UNIT FRONT PLATE M5000						
21	12000550	996530007838	SCREW TCB TORX 10 3X25 PLAST.SS						
22	11003077	996530001451	BLK BREW UNIT INTEGRAL PISTON 8GR.ASSY.						
23	9161.198	996530050627	SS.8GR.BREW UNIT PISTON SPRING						
24	9161.191	996530050618	WHITE 8GR.-12GR.BREW UNIT PISTON BUSH						
25	NM02.018	996530059451	OR ORM 0090-25 TERMOIL						
26	11003075	996530001448	BLACK COFFEE CONTAINER BREW UNIT P124						
27	11003078	996530001452	BLACK CONNECTING ROD BREW UNIT 8GR.						
28	11003795	996530001919	BLACK HOPPER COFF.BREW UNIT S/SCR.M5000						
29	9161.046	996530050455	SS SCRAPER SPRING FOR BREW UNIT						
30	12000897	996530007953	SCREW TCB TORX 10 3,5X20 PLAST.SS						
31	9161.045	996530050454	SS BREW UNIT HANDGRIP SPRING M5000						
32	11003791	996530001915	BLACK BREW UNIT HANDGRIP M5000						
33	129912521	996530013148	SCREW TCB TORX 10 3,5X14 PLAST.SS						
34	11023086	996530007577	BLK 8GR.BREW UNIT NTEGR.PISTON GEN.ASSY.						
35	17000663	996530073322	BLACK BREW UNIT CONVEYOR SLIDE L=76,8						
36	11031584	996530073329	BLACK BREW UNIT RYL						



ROYAL GRAN CREMA

TABLE 8/8