

Service Service Service



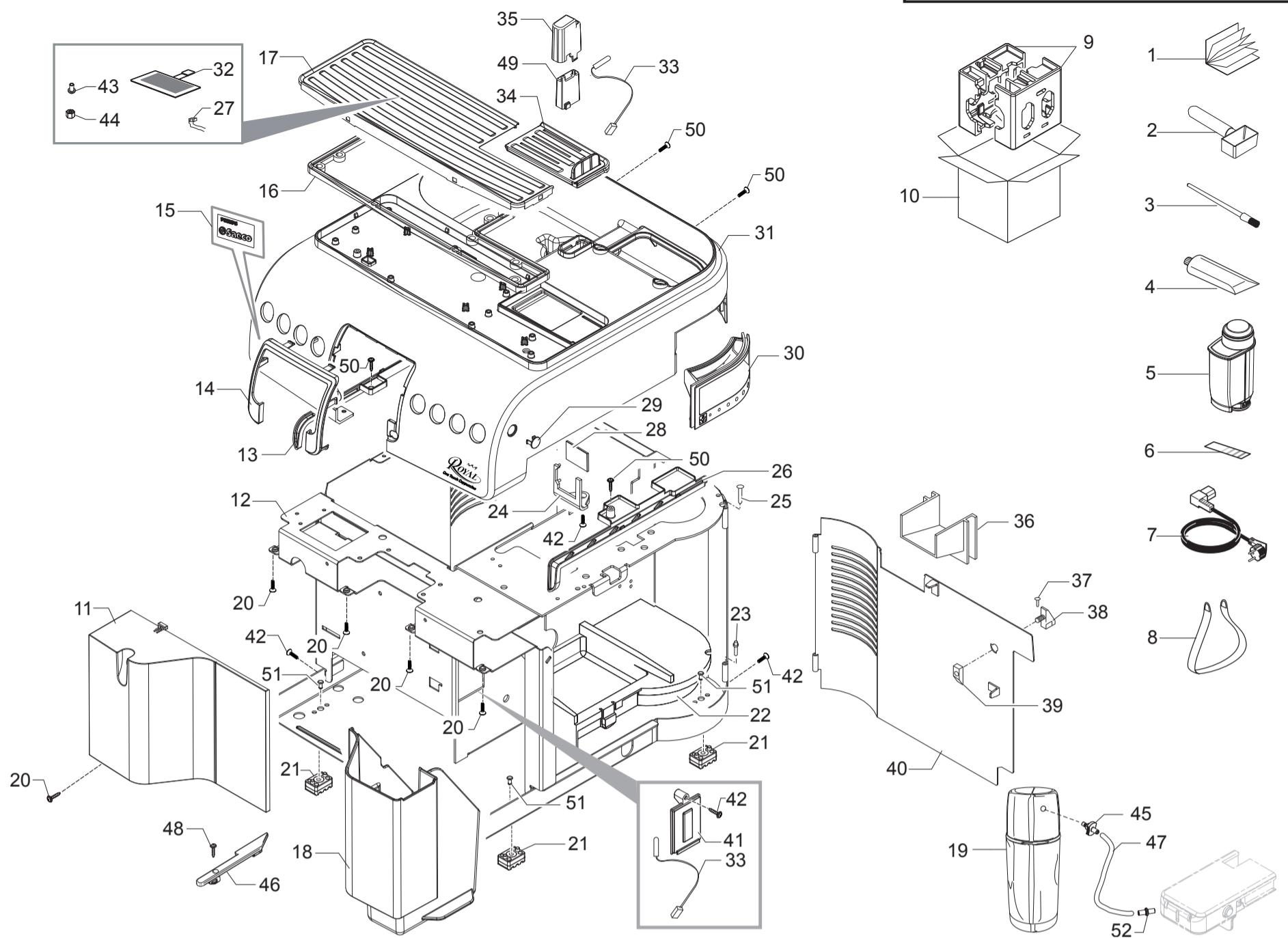
Exploded View

Contents

Table

External / Electronical components	1/7
Coffee dispenser	2/7
Front panel / User interface	3/7
Water system	4/7
Water / coffee container	5/7
Coffee grinder assembly	6/7
Gear motor / Brewing unit	7/7

All rights reserved. No part of this publication may be reproduced, stored in a retrieval system or transmitted, in any form or by any means, electronic, mechanical, photocopying, or otherwise without the prior permission of Saeco.



PHILIPS

Saeco

HD8930/01-02-05-06-13-47

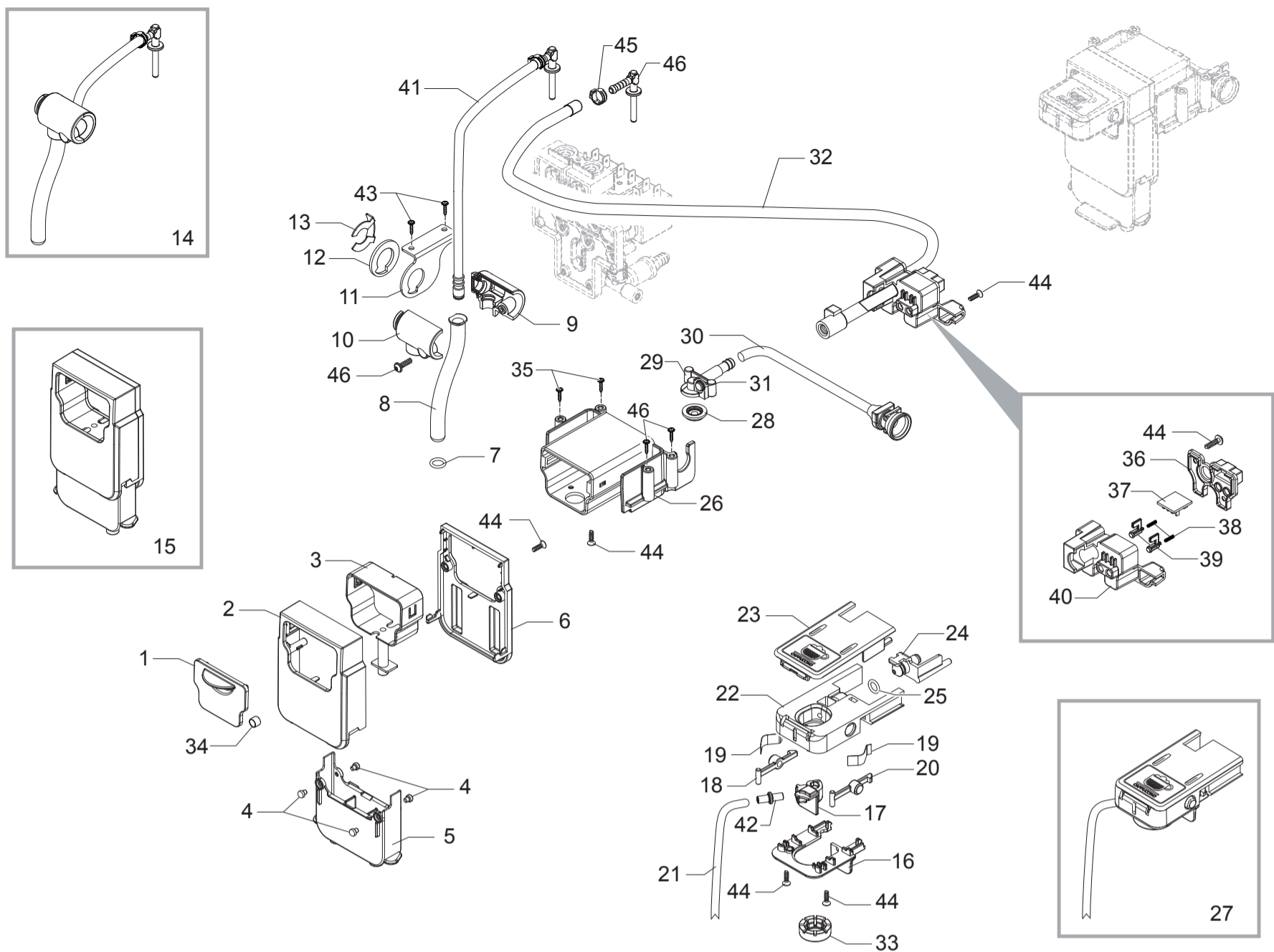


Cod.10003804-05-10003966
Cod.10004044-46-4114

POS	CODE	DESCRIPTION	NOTE	POS	CODE	DESCRIPTION	NOTE
01	15002769	MANUAL PSA RYL IT		24	17000391	BLACK WATER LEVEL SENSOR SUPPORT RYL	
	15002770	MANUAL PSA RYL GB		25	0301.019	PEG FOR DOOR SUPERAUTOM.	
	15002771	MANUAL PSA RYL DE		26	17000426	GREY CASING RIGHT CLOSING INSERT RYL	
	15002772	MANUAL PSA RYL FR			17001369	GREY CASING RIGHT CLOSING INSERT V2 RYL	USA
	15002773	MANUAL PSA RYL ES		27	17800207	2POLES CONNECT.SUPPLY CUPWARMING RYL UL	
	15002774	MANUAL PSA RYL PT		28	11003232	AS.CPU+SW WATER CONTAINER SENSOR	
	15002775	MANUAL PSA RYL NL		29	17000422	TRANSP.INFRAREDS PLATE RYL	
	15002776	MANUAL PSA RYL SV		30	11025771	GLOSS/SPEC.COVER CASING INSERT S/SCR.RYL	
	15002777	MANUAL PSA RYL NO		31	11027678	GLOSS/SPEC.CASING COVER S/SCR.RYL	
	15002778	MANUAL PSA RYL FI			11029346	GLOSS/SPEC.CASING COVER S/SCR.RYL UL	USA
	15002779	MANUAL PSA RYL DA		32	WGA4316031000	ADHESIVE HEATING-ELEMENT 230V	
	15002780	MANUAL PSA RYL GR			11000791	ADHESIVE HEATING-ELEMENT 120V	
	15003116	MANUAL PSA RYL CHN		33	17800254	2POLES CONNECT.LEVEL DRIP TRAY RYL UL	
	15003117	MANUAL PSA RYL TWN		34	11025739	SB/SS GROUND CONT.DOOR COVER S/S.RYL ASS	
02	146680850	BLACK COFFEE MEASURE SMART		35	17000239	BLACK BEAN CONTAINER SENSOR SUPPORT RYL	
03	127390100	BRUSH FOR CLEANING		36	11027680	7021/GREY DOOR COVER S/SCR.RYL	
04	11028379	PSA KLUBER TRIBOSTAR SIL 2 TUBE 5GR.		37	U433.001	NAIL 2X06 UNI 7591 BURN.	
05	21001404	ACC SAE BRITA UNI.WAT.FILTERX1	EUR-ASIA	38	0301.039.710	7021/GREY DOOR CLOSURE KNOB	
	21002051	ACC PSA MAVEA WATER FILTER 1UNIT	USA	39	0301.040.150	DOOR CLOSURE LEVER GREY	
06	0301.961	STICKER FOR WATER HARDNESS TEST		40	11025758	LIGHT/GREY STEEL CASING DOOR RYL	
07	183911050	BLACK POWER CABLE SCHUKO L=1200			11029563	LIGHT/GREY STEEL CASING DOOR RYL UL	USA
	183930650	POWER CABLE CH BLACK 3X1 H05VV-F L=1200		41	17000240	GREY MOUNTING PLATE INSERT RYL	
	183940650	BLACK POWER CABLE AUSTRALIA L=1200		42	12000450	SCREW TCB TORX 10 3,5X12 PLAST.ZN-N	
	183921950	POWER CABLE SJT3 USA BLACK UL L=1200		43	17000826	BRASS CUPWARMING LID BUSH RYL	
	11004246	BLACK POWER CABLE TAIWAN HVCTF L=1200		44	U324.005	NUT M3 FLANGED INDENTED BASE	
	11004247	BLACK POWER CABLE RVV 3X1 CHINA L=1200		45	17000819	BLK THERM.MILK INTAKE TUBE CONN.INS.RYL	
08	13001097	BAND FOR LIFTING L=1800MM H=300MM		46	17000723	GREY DUMP BOX GUIDE RYL	
09	20006994	KIT PS-E INSERT FOR BOX RYL		47	9972.160	SILICONE TUBE 3,5X6 L=230 MM	
10	13001320	DISPLAY BOX RYL PSA ROYAL WE		48	12000895	SCREW TSP TORX 10 3X10 PLAST.SS	
	13001446	DISPLAY BOX RYL PSA ROYAL USA		49	17001480	BLK BEAN CONTAIN.SENSOR SUPP.INSERT RYL	
11	11025728	GLOSS/SPEC.FRONT CASING COVER RYL		50	12001622	SCREW TCB TORX B 3,5X9,5 SCHEET NIK	
12	11025722	LIGHT/GREY STEEL CASING RYL ASSY.		51	11021769	BLACK RIGID FOOT FIXING PIN MYB9	
13	17000427	GREY CASING LEFT CLOSING INSERT RYL		52	17001362	BLK MILK INTAKE TUBE CONNECT.INS.V2 RYL	
14	11025757	GLOSS/SPEC.FRONT PANEL RYL					
15	11025026	ADHES.SILVER PLATE LOGO PHILIPS-SAEKO					
16	17000349	BLACK SEAL FOR CUPWARMING LID RYL					
17	17000175	SB/SS CUPWARMING LID RYL					
18	11025729	GLOSS/SPEC.DUMP BOX RYL ASSY.					
19	11027601	SS THERMOS RYL ASSY.					
20	129535721	SCREW TSP TORX 10 AB 3,5X9,5 SHEET SS					
21	11021829	BLACK/TRANSP.RIGID FOOT MYB9					
22	0301.041.150	GREY BREW UNIT SUPPORT PLATE ROYAL					
23	0301.020	PIN FOR DOOR SUPERAUTOMATICA					

PSA ROYAL

TABLE 1/7



PHILIPS

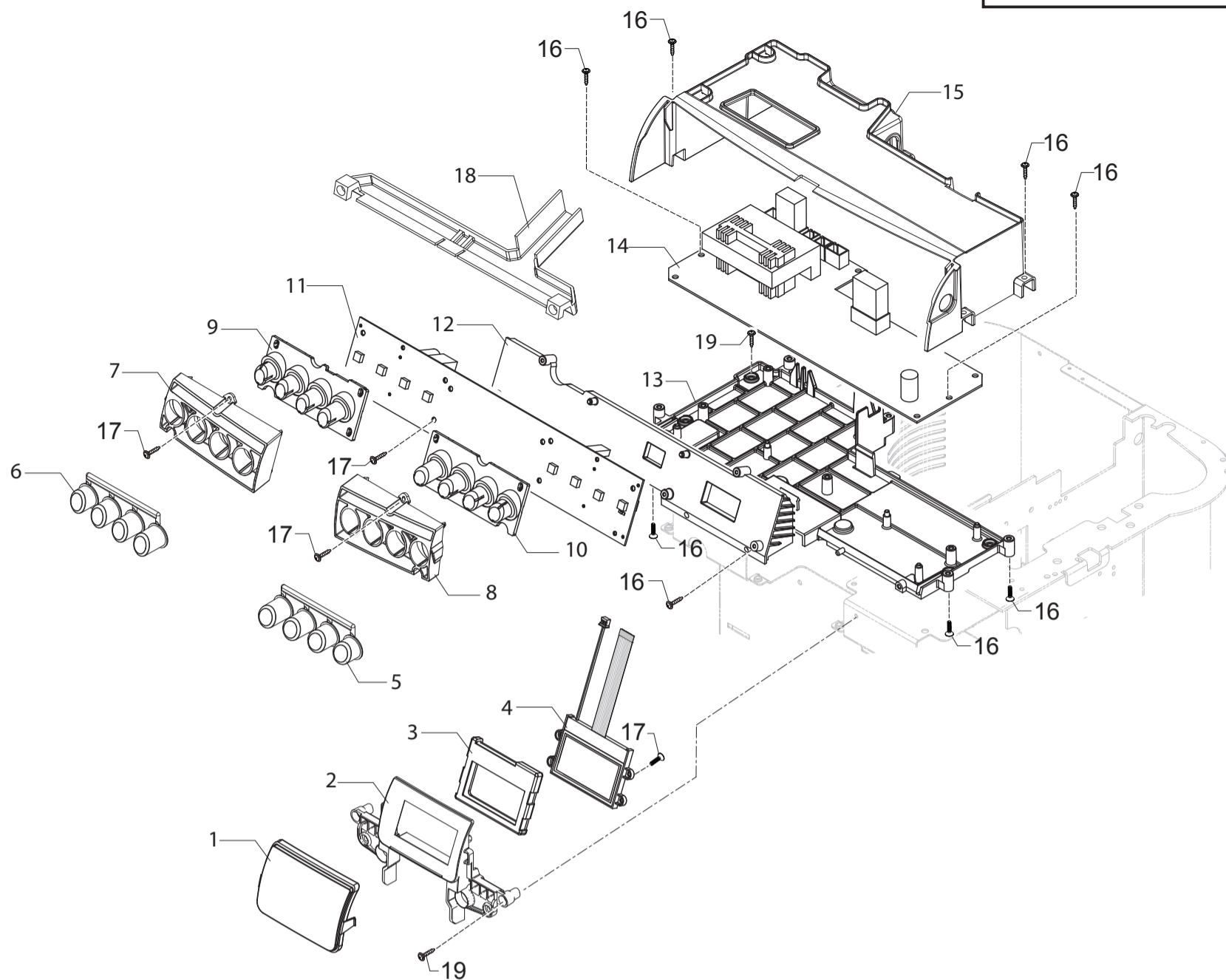
Saeco

HD8930/01-02-05-06-13-47



Cod.10003804-05-10003966
Cod.10004044-46-4114

POS	CODE	DESCRIPTION	NOTE	POS	CODE	DESCRIPTION	NOTE
01	11025753	GLOSS/SPEC.FRONT COF.DISPCOVER RYL ASSY		44	12000895	SCREW TSP TORX 10 3X10 PLAST.SS	
02	11025756	GLOSS/SPEC.FRONT COF.DISPENSER COVER RYL		45	NF11.052	OETIKER CLIP	
03	17000251	BLACK INNER BODY COFFEE DISPENS.RYL		46	11027337	TEA/BRASS CAPPUC/STEAM TUBE CONN.V2 RYL	
04	11013085	WHITE COFFEE DISPENSER SLIDER MYB9					
05	17000246	BLACK EXT.MOBILE PART COF.DISPENSER RYL					
06	17000248	BLACK REAR COVER COFFEE DISPENSER RYL					
07	140321961	OR 2031 IN TERMOIL					
08	11025760	TF/CHROM.STEAM TUBE RYL					
09	17000672	BLACK REAR STEAM TUBE SUPPORT RYL					
10	17001437	BLACK FRONT STEAM TUBE SUPPORT RYL					
11	17000815	STEEL STEAM TUBE SUPPORT PLATE RYL					
12	11001624	BLACK STEAM TUBE WASHER P0049					
13	NF11.084	PHOSPH/STEEL FOLK SPRING					
14	11027607	TF/CHROM.TEA/BRASS STEAM TUBE V2 RYL ASS					
15	11025731	GLOSS/SPEC.COFFEE DISPENSER RYL ASSY.					
16	17000390	BLACK LOWER CAPPUCINATORE LID RYL					
17	17000336	MILK INTAKE TUBE CONNECTOR RYL					
18	17000389	GREY LEFT CAPPUCINATORE INSERT RYL					
19	17000382	SS CAPPUCINATORE INSERT SPRING RYL					
20	17000402	GREY RIGHT CAPPUCINATORE INSERT RYL					
21	229363500	SILICONE TUBE 3,5X6 L=400 MM					
22	17000338	BLACK LEFT ENTRY CAPPUCINAT.CASING RYL					
23	11027677	BLACK UPPER CAPPUCINAT.LID S/SCR.RYL					
24	17000785	BLACK CAPPUCINATORE MILK CONNECTOR RYL					
25	NM01.028	OR 106 SILICONE					
26	17000257	BLACK.COFFEE DISPENSER SUPPORT RYL					
27	11025751	BLACK CAPPUCINATORE S/SCR.RYL ASSY.					
28	17000337	BLACK SEAL FOR COFFEE DISPENSER RYL					
29	17000616	BLACK COFFEE DISPENSER TUBE RYL					
30	17000614	BLACK DISPENSER COFF.INLET CONNECT.RYL					
31	11014016	SS.INSERT FOR MAGNET MYB9					
32	20007031	BLK CAPPUC.OUTPUT STEAM CONNECT.KIT RYL					
33	17000486	BLACK CAPPUC.OUTPUT MILK CONNECTOR RYL					
34	9161.111	MAGNET FOR FLOAT SUPERAUT.					
35	12000450	SCREW TCB TORX 10 3,5X12 PLAST.ZN-N					
36	17000348	BLK CAPPUCINATORE BOARD SUPP.COVER RYL					
37	11025772	CAPPUCINATORE BOARD RYL					
38	17000019	SS CARAFE MICRO INSERT SPRING MYB9					
39	17000421	BLACK CAPPUCINATORE PRESENCE INSERT RYL					
40	17000339	BLACK CAPPUCINATORE BOARD SUPPORT RYL					
41	20007030	BLACK OUTPUT STEAM TUBE KIT RYL					
42	17001362	BLK MILK INTAKE TUBE CONNECT.INS.V2 RYL					
43	12001622	SCREW TCB TORX B 3,5X9,5 SCHEET NIK					



PHILIPS

Saeco

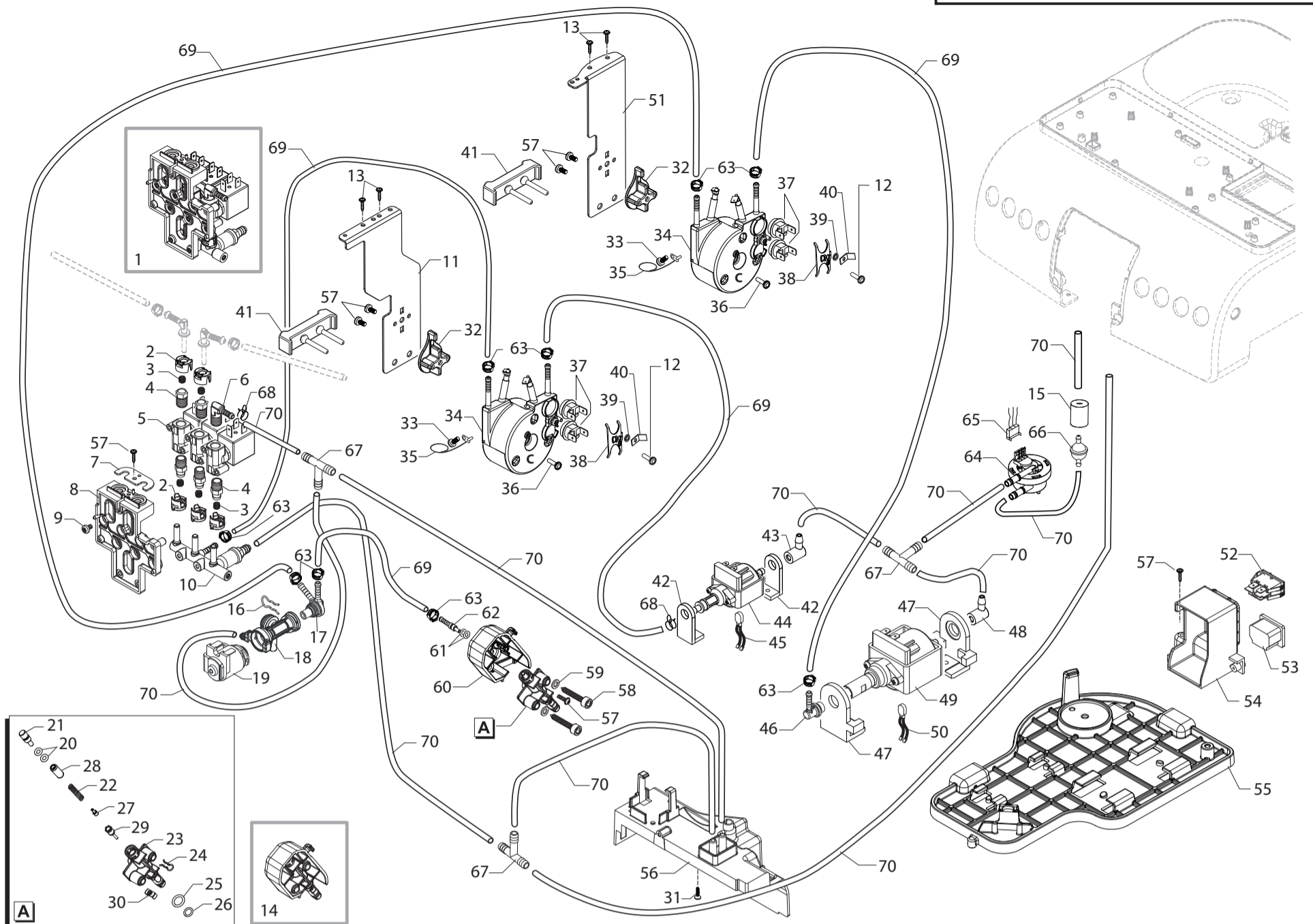
HD8930/01-02-05-06-13-47



Cod.10003804-05-10003966

Cod.10004044-46-4114

POS	CODE	DESCRIPTION	NOTE	POS	CODE	DESCRIPTION	NOTE
01	17000269	TRANSP.GLASS FOR DISPLAY RYL					
02	17000259	BLACK DISPLAY INSERT RYL					
03	17000271	BLACK DISPLAY SEAL RYL					
04	12001606	DISPLAY 160x80 0355DP AMBER					
05	17000433	BLK RIGHT TOUCH PANEL COVER S/SCR.RYL					
06	17000437	BLK LEFT TOUCH PANEL COVER S/SCR.RYL					
07	17000488	BLACK LEFT TOUCH PANEL SUPPORT RYL					
08	17000244	BLACK RIGHT TOUCH PANEL SUPPORT RYL					
09	17000434	TRANSP.LEFT TOUCH PANEL RYL					
10	17000430	TRANSP.RIGHT TOUCH PANEL RYL					
11	11024659	CPU+SW RYL ASSY.					
12	17000274	BLACK CPU BOARD SUPPORT RYL					
13	17000275	BLACK PWR BOARD SUPPORT RYL					
	11028842	BLACK PWR BOARD SUPPORT RYL UL	USA				
14	11024692	PWR BOARD RYL/R YLO 230V					
	11027086	PWR BOARD RYL/R YLO 120V	USA-TWN				
15	17000277	BLACK CPU-PWR BOARDS COVER RYL					
16	12000450	SCREW TCB TORX 10 3,5X12 PLAST.ZN-N					
17	129913202	SCREW TCB TORX 10 3X8 PLAST.ZN-B					
18	17001152	POWER BOARD PROTECTION RYL					
	11028843	POWER BOARD PROTECTION RYL UL	USA				
19	12001622	SCREW TCB TORX B 3,5X9,5 SCHEET NIK					



PHILIPS

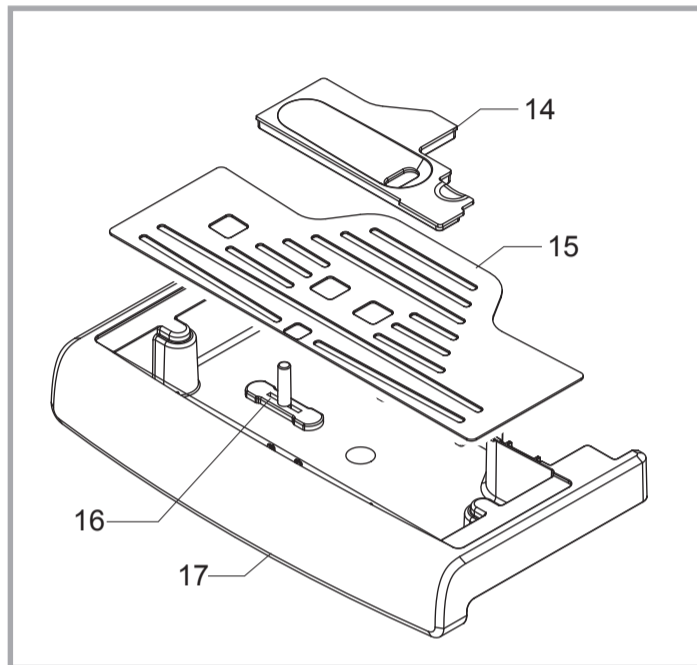
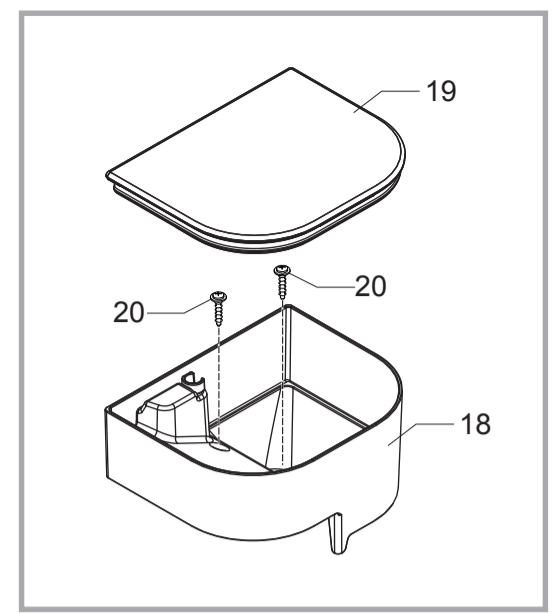
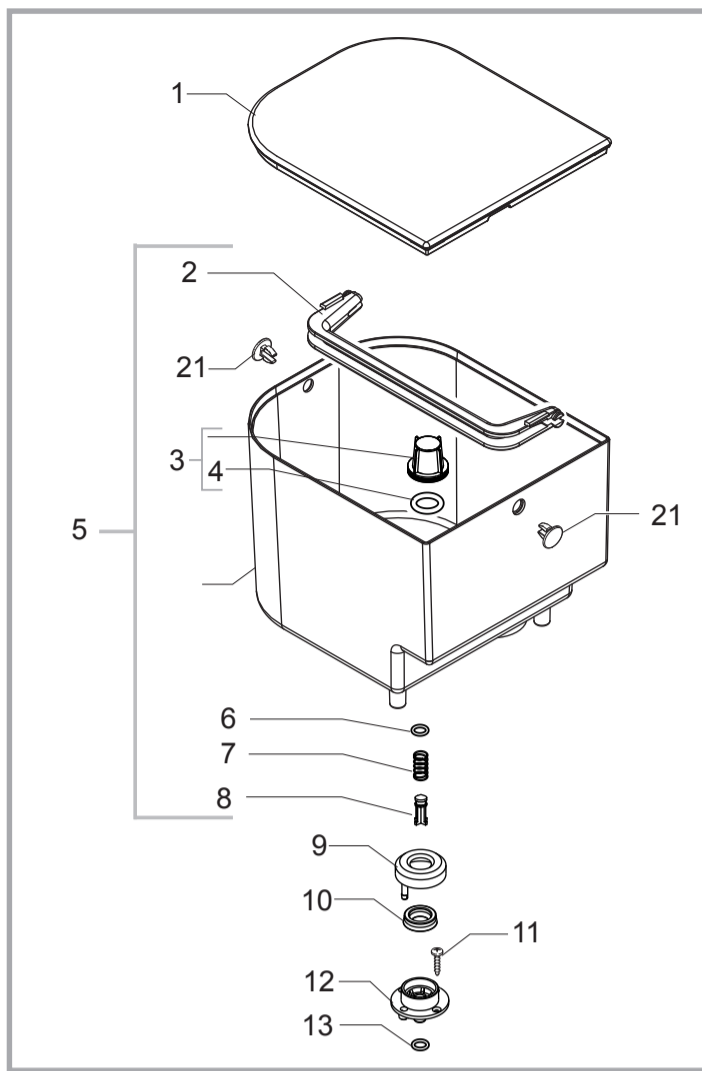
Saeco

HD8930/01-02-05-06-13-47



Cod.10003804-05-10003966
Cod.10004044-46-4114

POS	CODE	DESCRIPTION	NOTE	POS	CODE	DESCRIPTION	NOTE
01	11027609	TEA/BR.ELECTROVALVES V2 RYL 24V DC ASSY.		43	11012193	90° INLET CONNECTOR FOR PUMP ULKA MF	
02	17001178	BLK EV 1/8"GAS.CONNECTOR V2 INSERT RYL		44	12001212	ULKA PUMP MF	230V-50HZ
03	17001180	BLACK EV CONNECTOR 1/8"GAS SEAL RYL			12001346	ULKA PUMP MF	120V-60HZ
04	11027334	TEA/BRASS ELECTROV.CONNECT1/8"GAS V2 RYL		45	17800203	2POLES CONNECTOR STEAM PUMP RYL UL	
05	11024038	BRASS 2WAY EV 21JN1RRV20-XT+LBV05024CU		46	11001054	BLK PUMP OUTLET 90°CONNECTOR P0049/B	
06	11013835	TEA/BRASS CONNECTOR FOR BOILER AURA		47	11022857	BLACK PUMP SUPPORT GMYB	
07	17000428	STEEL CONNECTORS FIXING PLATE RYL		48	147920150	90° INLET PUMP CONNECTOR	
08	17000168	BLACK ELECTROV/CONNECTOR SUPP.RYL		49	12000140	ULKA PUMP EP5/S GW	230V-50HZ
09	U043.012	SCREW TCB TORX 20 M4X6 ZN-B			12000131	ULKA PUMP EP5/S GW	120V-60HZ
10	17001196	BRASS 4WAYS CONNECT+SAFETY VALVE V2 RYL		50	17800202	2POLES CONNECTOR COFFEE PUMP RYL UL	
11	17000166	STEEL STEAM TUBOL.BOILER SUPPORT RYL		51	17000163	STEEL COFFEE TUBOL.BOILER SUPPORT RYL	
12	12001715	SCREW TCB TORX 20 M4X8 AUTOFORMING ZN-B		52	NE03.038	BIPOLAR SWITCH FUSIT C1250AR	
13	12001622	SCREW TCB TORX B 3,5X9,5 SCHEET NIK		53	12001645	CUP SOCKET V2 EN 60320 C 13	
14	11025744	TEA/BRASS HOT WATER PIN RYL ASSY.		54	17000162	BLACK SOCKET-SWITCH SUPPORT RYL	
15	147756562	BLK PROTECTION FOR FOLK SPRING TUBE D=4			11028204	BLACK SOCKET-SWITCH SUPPORT RYL UL	USA - TWN
16	11005096	SS FORK SPRING FOR BLOWDOWN VALVE P0049		55	17000160	BLACK COMPONENTS SUPPORT RYL	
17	11001492	BLACK BLOWDOWN VALVE CAP P0049		56	17000165	BLACK DRIP TRAY PROTECTION RYL	
18	20007029	BLK BLOWDOWN VALVE CASING KIT RYL	WITH PART.POS.16-17	57	12000450	SCREW TCB TORX 10 3,5X12 PLAST.ZN-N	
19	20000590	BLOWDOWN VALVE COIL P0049 230V ASSY.		58	11003555	GALVANIZED SELF-TAPPING SCREW 4,8X32	
20	140326662	OR METRIC 0040-20 IN SILICONE		59	128310521	WASHER UNI 8842 A5 SS	
21	11026413	TEA/BRASS HOT WATER PIN PLUG RYL		60	17000156	BLACK HOT WATER PIN SUPPORT RYL	
22	9011.132	SS SPRING FOR PIN		61	140328059	OR 2015 IN SILICONE PTFE/FDA	
23	9161.434	HOT WATER PIN		62	11000750	TEA/BRASS CONNECTOR FOR SILICONE TUBE	
24	9011.144	SS FORK FOR TUBE D=4		63	12000892	OETIKER CLAMP D=9,5 16700004	
25	NM01.035	OR ORM 0090-20 SILICONE		64	NV99.099	TURBINE D=1,2 932-8521/00 ASSY.	
26	NM01.057	OR ORM 0050-20 IN SILICONE		65	17800214	6POLES CONNECTOR FLOWMETER RYL UL	
27	11009013	TEA/BRASS PIN FOR PISTON L=10		66	12001595	TRANSP/WHITE ASPIRATION FILTER MDS	
28	11009012	TEA/BRASS BOILER PIN BUSH		67	147920300	TRANS.CONNECTOR D=8 ART.80.26.047 KA.461	
29	11009019	TEA/BRASS PISTON L=20,9 ASSY.		68	184320200	SPRING HOSE CLAMP D=9,5MM	
30	11005099	NATURAL CURSOR V2 FOR BOILER P119		69	16000380	5X8,9 SILICONE TUBE	IN ROLL
31	129913902	SCREW TCB TORX 10 3X12 PLAST.ZN-B		70	JS01.022	SILICONE TUBE 5X10 60SH	IN ROLL
32	11023282	BLACK SLIM TUB.BOILERS SUPPORT MYB9			11025742	BLOWDOWN VALVE V3 RYL ASSY.	230V
33	129573402	SCREW TAPT M4X10 DIN 7985 GALV			11028187	BLOWDOWN VALVE V3 RYL ASSY.	120V
34	11013735	SLIM TUB.BOILER ASSY.	230V-1300W			BLOWDOWN VALVE V3 RYL ASSY.	WITH PART.N°16-17-18-19
	11023153	SLIM TUB.BOILER ASSY.	120V-1300W		11025705	COFFEE TUB.BOILER RYL ASSY.	230V-1300W
35	190800100	TEMPERATURE SENSOR NTC UL L=280MM			11028182	COFFEE TUB.BOILER RYL ASSY.	120V-1300W
36	12001369	SCREW TSP TORX 10 5X35 PLAST.SS				COFFEE TUB.BOILER RYL ASSY.	WITH PART.N°12-32-34-35-36-37-38-39-40-41-51-57
37	12001033	THERMOSTAT ONE SHOT 190°			11025706	STEAM TUB.BOILER RYL ASSY.	230V-1300W
38	11001751	TUB.BOILER V3 UPPER THERMOSTATES SPRING			11028183	STEAM TUB.BOILER RYL ASSY.	120V-1300W
39	128310402	GALV.WASHER UNI 8842 A4				STEAM TUB.BOILER RYL ASSY.	WITH PART.N°11-12-32-34-35-36-37-38-39-40-41-57
40	124390520	BRASS BENT FASTON 45° 6,3X0,8					
41	17000471	BLACK BOILER ANTIVIBRATION RYL					
42	11012194	BLACK ULKA MF PUMP SUPPORT					



PHILIPS

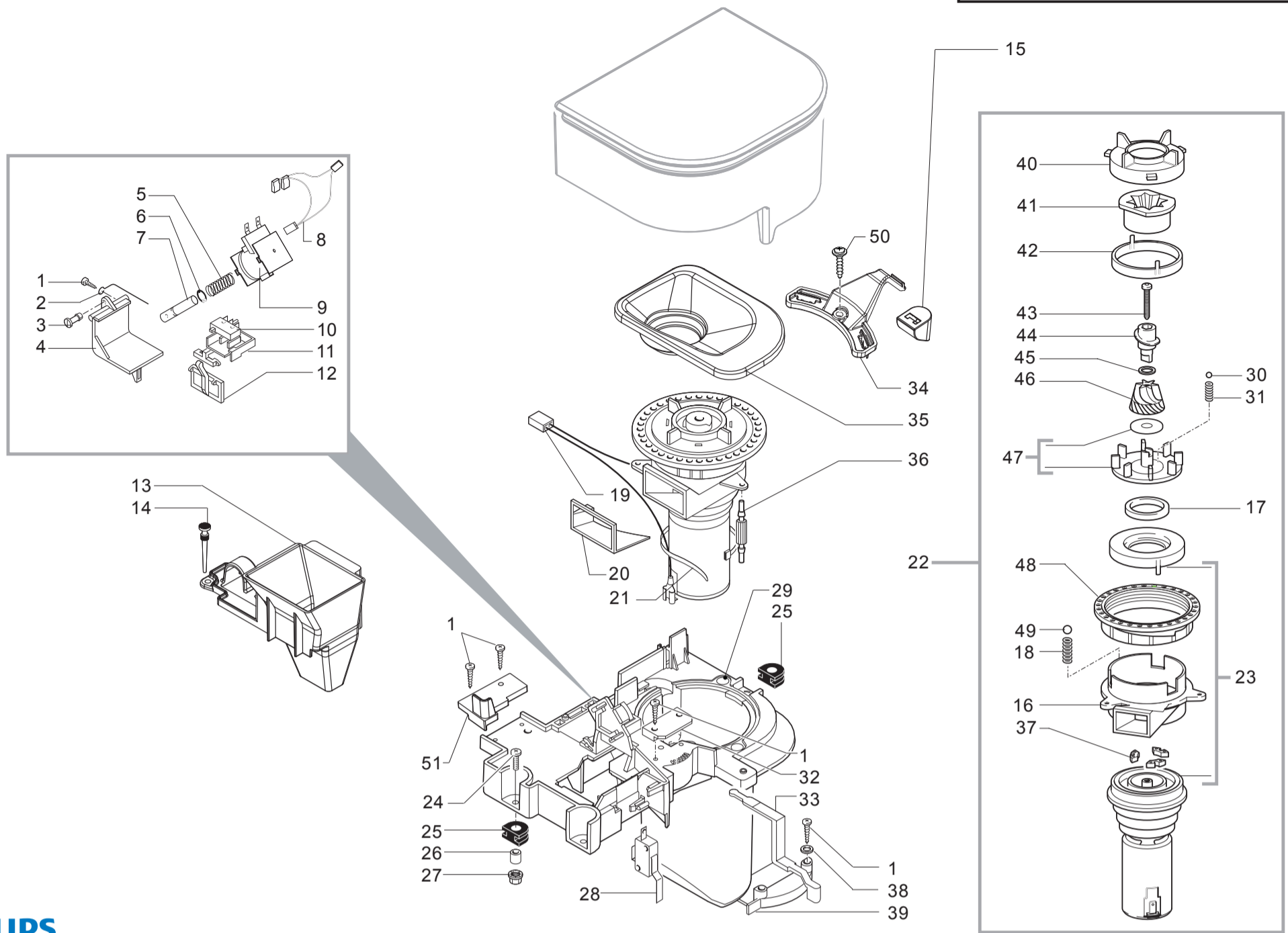
Saeco

HD8930/01-02-05-06-13-47



Cod.10003804-05-10003966
Cod.10004044-46-4114

POS	CODE	DESCRIPTION	NOTE	POS	CODE	DESCRIPTION	NOTE
01	11027653	GLOSS/SPEC.WATER CONTAINER LID RYL					
02	17000174	BLACK WATER CONTAINER HANDLE RYL					
03	224640200	WHITE WATER CONTAINER EXT.FILTER ASSY.					
04	140328461	EPDM OR METRIC 0190-10					
05	11025725	NAT/GREY WATER CONTAINER S/SCR.RYL ASSY.					
06	140324362	OR METRIC 0060-30 IN SILICONE					
07	126764718	SS WATER CONTAINER VALVE SPRING					
08	147660562	GREY PISTON FOR WATER CONTAINER VALVE					
09	0701.031.150	GREY WATER VALVE GACO DIM 14 SEAL COVER					
10	145842900	NBR WATER CONT.VALVE GACO DIM14 SEAL					
11	12000895	SCREW TSP TORX 10 3X10 PLAST.SS					
12	0701.014.150	GREY WATER VALVE GACO DIM 14 SEAL CONT.					
13	140320461	OR ORM 0080-20 IN TERMOIL					
14	17000982	BLACK DRIP TRAY COVER RYL					
15	17000183	SS DRIP TRAY GRATE RYL					
16	17000991	RED FLOAT V2 FOR DRIP TRAY RYL					
17	11025730	GLOSS/SPEC.DRIP TRAY RYL ASSY.					
18	17000188	NAT/GREY BEAN CONTAINER RYL					
19	11027679	GLOSS/SPE.BEAN COF.CONT.LID RYL ASSY.					
20	12001431	SCREW TCB TORX 10 3X12 PLAST.SS					
21	17001255	BLACK PLUG FOR WATER CONTAIN.HANDLE RYL					



PHILIPS

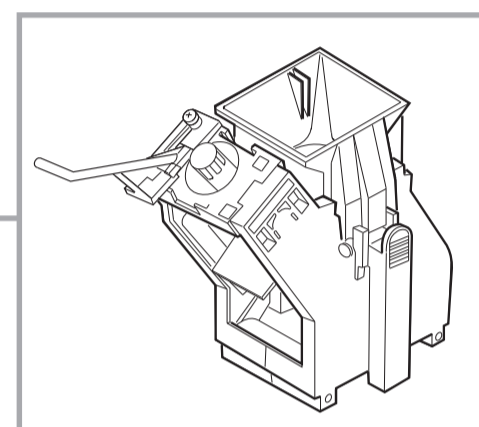
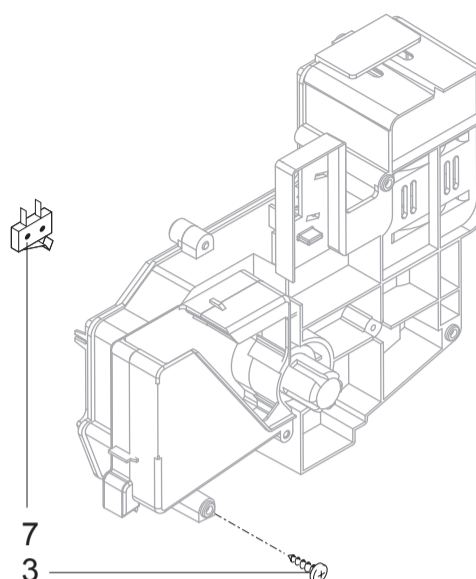
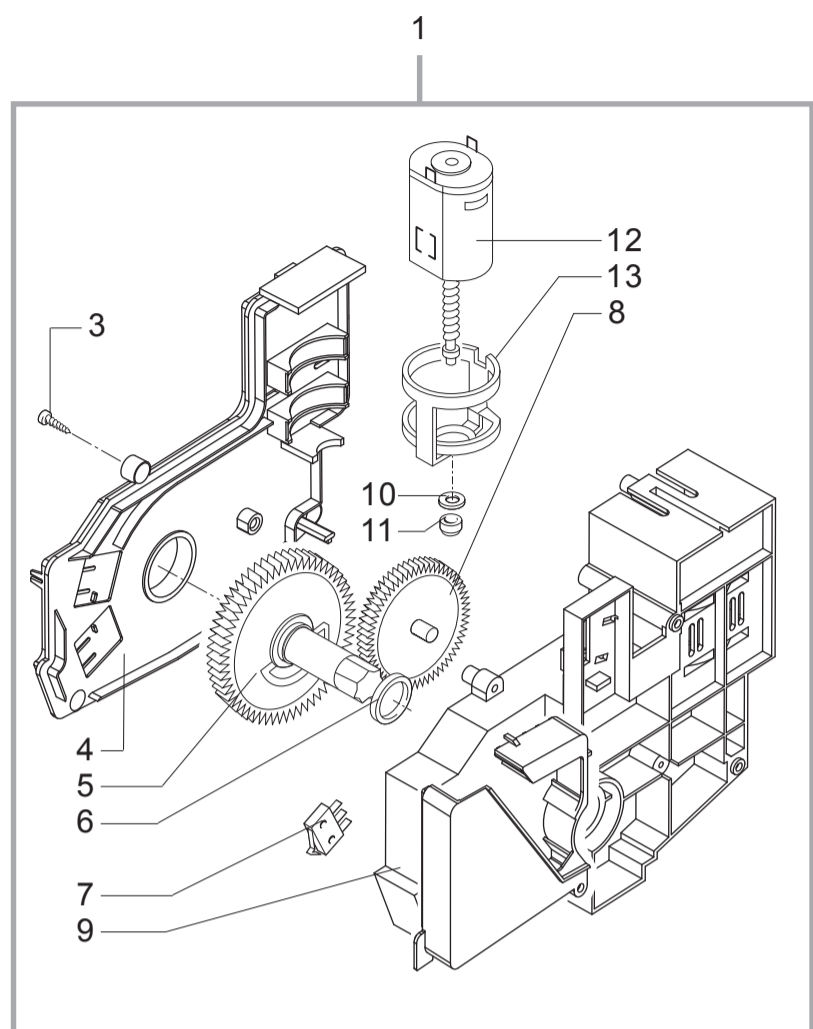
Saeco

HD8930/01-02-05-06-13-47



Cod.10003804-05-10003966
Cod.10004044-46-4114

POS	CODE	DESCRIPTION	NOTE	POS	CODE	DESCRIPTION	NOTE
01	129913902	SCREW TCB TORX 10 3X12 PLAST.ZN-B		46	226477700	KIT ITAL MILL GRINDERS	WITH PART.N°41
02	9161.048	SCRAPER ROD		47	149188750	CONICAL GRIND. SUPP. + RING MAGIC	
03	9161.076.150	DOSER DOOR PIN GREY		48	146570950	RING NUT FOR GRINDING ADJUSTMENT MAGIC	
04	9161.074.150	DOSER DOOR GREY		49	128610421	STAIL.STEEL AISI 304 SPHERE D=3,2MM	
05	126764818	SPRING ELECTROM.BEAN DOSER MAGIC		50	12000450	SCREW TCB TORX 10 3,5X12 PLAST.ZN-N	
06	U701.003	SNAP RING 7 UNI 7434		51	17001155	GREY COVER FOR DOSER HOLE RYL	
07	9161.041	DOSER ELECTROMAGNET CORE					
08	17800211	4POLES CONNECT.COIL+DOSER MICRO RYL UL					
09	11025734	DOSER COIL FOR SUPERAUTOM.24V DC ASSY.					
10	NE05.017	MICROSWITCH					
11	9161.072.150	MICRO SUPPORT CURSOR GREY					
12	9161.073.150	DOSE CONTROL COMPENSATOR GREY					
13	17000176	BLACK HOPPER FOR POWDER COFFEE RYL					
14	9161.082	RUBBER COUPLER					
15	17000351	BLK GRINDING ADJUSTM.LEVER HANDGRIP RYL					
16	9141.080	MOTOR SUPPORT					
17	140360200	FELT RING 40X34X5					
18	126770117	NEW SPRING SPHERE D=3,2 MOTOR MAGIC					
19	17800209	2POLES CONNECTOR GRINDER MOTOR RYL UL					
20	1505.014	COFFEEGRINDER SEAL					
21	144320200	SELF LOCK STRIP W=2.6 L=200					
22	9140.036.00A	COFFEE GRINDER STD ASSY. 230V	USA - TWN				
	9140.036.00F	COFFEE GRINDER STD ASSY. 120V	USA - TWN				
23	0301.R10.00A	SPARE MOTOR UNIT MC 230V	USA - TWN				
	0301.R10.00F	SPARE MOTOR UNIT MC 120V	USA - TWN				
24	U043.004	ZN-B TCB SCREW M4X16					
25	9991.005	RUBBER FOR COFFEE GRINDER					
26	9141.003	SPACER FOR RUBBER					
27	U324.006	NUT M4 FLANGED INDENTED BASE					
28	12001605	MICROSWITCH					
29	9161.365.150	GREY PLATE COFFEEGRINDER MAGIC/ROYAL					
30	128610521	STAIL.STEEL AISI 304 SPHERE D=5,5MM					
31	126765517	STEEL SPRING SPHERE D=5,5 MOTOR MAGIC					
32	9161.097.150	LEVER FIXING PLATE GREY					
33	0313.003.150	ADJUSTMENT LEVER GREY RAL 7016					
34	17000198	BLACK GRINDING ADJUSTM.LEVER RYL					
35	17000238	COFFEE GRINDER SOUNDPROOFING COVER RYL					
36	9991.103	ANTIVIBRATION FOR COFFEEGRINDER					
37	140230400	SHOCK ABS .CONICAL GRINDER SUPP.MAGIC					
38	U201.001	PLAIN WASHER 3,2X9 DIN 7349 GALV.					
39	9161.403.150	GREY COFFEE DOSE ADJUSTMENT SCALE					
40	149186150	BLACK UPPER GRINDER SUPPORT MAGIC	SEE PART.N°46				
42	142844550	UPPER GRINDER COVER COFFEE GRIND. MAGIC					
43	129931002	TORX SCREW T10 TCB 3,5X40 SX ZNG					
44	147470763	INCREASE SCREW PIN COFFEE GRINDER MAGIC					
45	U201.002	PLAIN WASHER 10X16X0,2DIN 988 GAL					



PHILIPS

Saeco

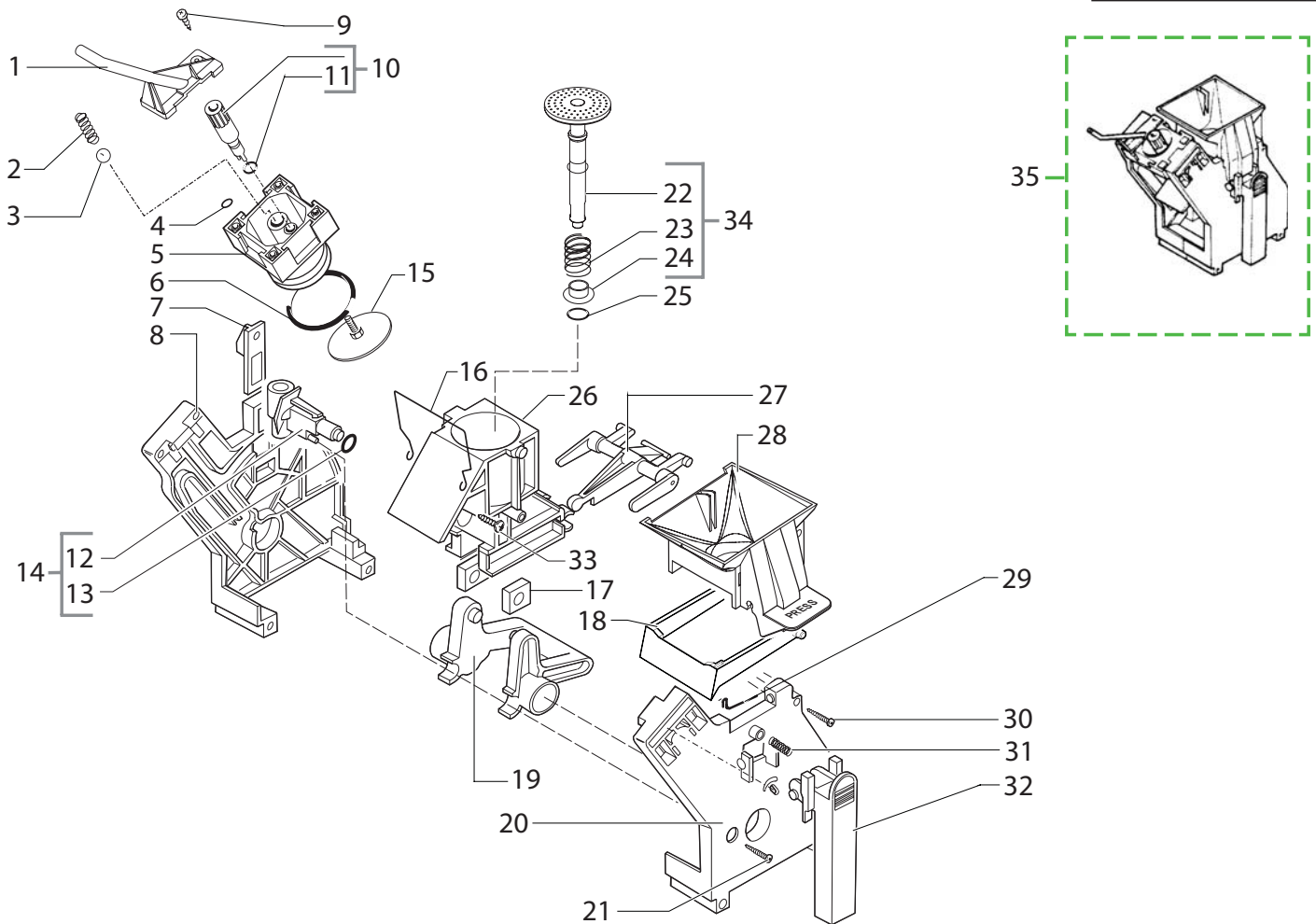
HD8930/01-02-05-06-13-47



Cod.10003804-05-10003966

Cod.10004044-46-4114

POS	CODE	DESCRIPTION	NOTE	POS	CODE	DESCRIPTION	NOTE
01	11025736	RATIOMOTOR RYL ASSY.					
03	129670202	TCB PANELVIT SCREW 3,5X16 TESTA D=8 ZNP					
04	17000719	GREY RATIOMOTOR LID RYL					
05	11007137	BLACK GEAR Z=77 V2 FOR RATIOMOTOR P124					
06	9161.368	MYLAR WASHER FOR RATIOMOTOR					
07	NE05.038	MICROSWITCH					
08	146002800	GREY GEAR Z=13/90 FOR RATIOMOTOR P124					
09	11026258	GREY RATIOMOTOR CASING WITH TUBE ASSY.					
10	148380200	BAKELIZZATE WASHER D=5,5					
11	9121.046	BRONZE SINTERED BUSH FOR MOTOR RATIOMOT.					
12	11005214	MOTOR FOR RATIOMOTOR P124 ASSY.					
13	9121.044	ANTIVIBRATION FOR MOTOR					
14	11003800	BLACK BREW UNIT MAGIC/ROYAL (SEE EXP.CODE E90048' B9LHD5 ; 9)					



Saeco INTERNATIONAL GROUP **GRUPPO CAFFE' MAGIC-ROYAL**



Cod. 11003800

POS	CODICE	DESCRIZIONE	NOTE	POS	CODE	DESCRIPTION	NOTE
01	11003789	MANICOTTO USCITA CAF.GRUPPO ROYAL NERO		01	11003789	BLACK COFFEE OUTLET SLEEVE	
02	9161.222	MOLLA CONICA		02	9161.222	CONICAL SPRING	
03	9991.168	SFERA IN VETRO D.5 MM		03	9991.168	GLASS SPHERE D.5MM	
04	11021334	GUARN.DE=11 DI=8 SP=1,5 X CONTROPIST.NER		04	11021334	BLK COUNTERPISTON SEAL DE=11 DI=8 SP=1,5	
05	11003796	CONTROPISTONE X GRUPPO CAFFE' NERO		05	11003796	BLACK COUNTERPISTON FOR COFFEE UNIT	
06	NM01.044	OR ORM 0320-40 IN SILICONE PTFE/FDA		06	NM01.044	OR ORM 0320-40 IN SILICONE PTFE/FDA	
07	11004114	PIASTRINA X AGGANCIO GRUPPO CAFFE' NERO		07	11004114	BLACK PLATE FOR UNIT COUPLING	
08	11003792	PIASTRA POSTERIORE GRUPPO CAFFE' NERO		08	11003792	BLACK REAR PLATE FOR UNIT	
09	U140.019	VITE TCB 3X16 PLAST.INOX		09	U140.019	SCREW TCB TORX 10 3X16 PLAST SS	
10	227470150	AS.PERNO X DOCCIA COMPLETO NERO		10	227470150	PIN BLACK ASS.FOR PERCOLATOR	
11	NM02.006	OR R5 TERMOIL		11	NM02.006	OR R5 TERMOIL	
12	9161.064.050	MANICOTTO ENTRATA ACQUA GRUP.CAFFE.NERO		12	9161.064.050	BLACK WATER INLET SLEEVE BREW UNIT	
13	NM02.007	OR 2025 TERMOIL		13	NM02.007	OR 2025 TERMOIL	
14	20000440	GRUPPO RICAMBIO MANICOTTO NERO		14	20000440	BLACK SPARE SLEEVE UNIT	
15	9160.075	AS.DOCCIA DE=35,8 ELFO C/VITE E DADO		15	9160.075	PERCOLATOR DE=35,8 ELFO ASSY.	
16	11001556	MOLLA RASATORE H=49 X GRUPPO CAF.SMART		16	11001556	SPRING H=49 FOR COFFEE BREW UNIT SMART	
17	9161.094.050	BLOCCHETTO FORATO GRUP.CAFFE' PAVNERO		17	9161.094.050	BLACK DRILLED BLOCK BREW UNIT	
18	11004161	RASATORE X GRUPPO CAFFE' NERO		18	11004161	BLACK SCRAPER FOR COFFEE UNIT	
19	9161.066.050	ALBERO A GOMITO X GRUPPO NERO		19	9161.066.050	ELBOW SHAFT FOR UNIT BLACK	
20	11003793	PIASTRA ANTERIORE GRUPPO CAFFE' NERO		20	11003793	BLACK FRONT PLATE FOR UNIT	
21	12000550	VITE TCB 3X25 PLAST.INOX		21	12000550	SCREW TCB TORX 10 3X25 PLAST.SS	
22	11003077	AS.PISTONE INTEGRALE GRUP.P124 8GR.NERO		22	11003077	BLACK INTEGRAL PISTON UNIT P124 8GR.ASS	
23	9161.198	MOLLA PISTONE GRUPPO CAFFE' M5000		23	9161.198	PISTON SPRING BREW UNIT M5000	
24	9161.191	BOCCOLA PISTONE GRUP.CAFFE.M5000 NEUTRO		24	9161.191	NEUTRAL PISTON BUSH BREW UNIT M5000	
25	NM02.018	OR METRICO 0090-25 IN TERMOIL		25	NM02.018	OR ORM 0090-25 TERMOIL	
26	11003075	AS.CONT.CAF.C/BOCC.SALD.GRUPP124 8G.NER	CON PART.N°25	26	11003075	BLACK COFFEE CONTAINER BREW UNIT P124	WITH PART.N°25
27	11003078	BIELLA X GRUPPO P124 8GR.NERO		27	11003078	BLACK CONNECTING ROD FOR UNIT P124 8GR.	
28	11003795	TRAMOGGIA GRUPPO CAFFE' NERO SER.PRESS		28	11003795	BLACK HOPPER FOR UNIT W/SILKSCREEN PRESS	
29	9161.046	MOLLA X RASATORE GRUPPO		29	9161.046	SPRING FOR UNIT SCRAPER	
30	12000897	VITE TCB 3,5X20 PLAST.INOX		30	12000897	SCREW TCB TORX 10 3,5X20 PLAST.SS	
31	9161.045	MOLLA X IMPUGNATURA GRUPPO		31	9161.045	SPRING FOR UNIT HANDGRIP	
32	11003791	IMPUGNATURA X GRUPPO CAFFE' NERO		32	11003791	BLACK HANDGRIP FOR COFFEE UNIT	
33	129912521	VITE TCBR 3,5X14 PLAST.INOX		33	129912521	SCREW TCBR TORX 10 3,5X14 PLAST.SS	
34	11023086	AS.GEN.PISTONE INTEGR.GRUP.CAF.8GR.NER.		34	11023086	BLK 8GR.BREW UNIT NTEGR.PISTON GEN.ASSY.	
35	11003800	GRUPPO CAFFE' MAGIC/ROYAL NERO		35	11003800	BLACK BREW UNIT MAGIC/ROYAL	

Saeco INTERNATIONAL GROUP **GRUPPO CAFFE' MAGIC-ROYAL NERO**

Rev. 03 - 23/11/09

TAVOLA 1/1