

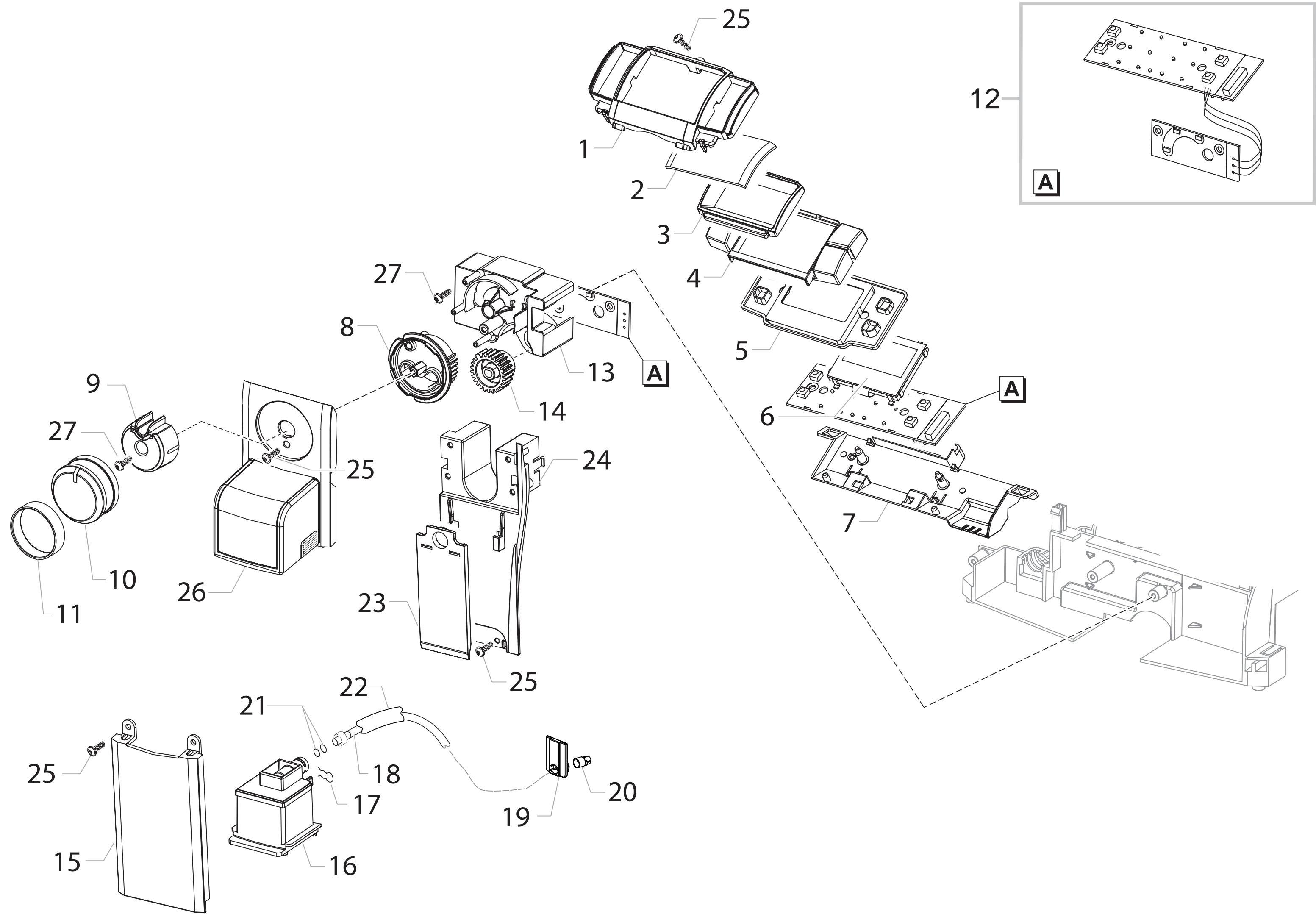
Pos	Article-Nr.	Description	Pos	Article-Nr.	Description
1	11005044	SAECO KLUBER TRIBOSTAR SIL 2 TUBE 5GR.	18	11012727	SS CASING LEFT SIDE XSM ASSY.
2	15002480	MANUAL PSA SUP037DR XSM/H IT	18	11021374	WHITE CASING LEFT SIDE XSM
2	15002481	MANUAL PSA SUP037DR XSM/H GB	18	11025278	RED CASING LEFT SIDE XSM ASSY.
2	15002482	MANUAL PSA SUP037DR XSM/H DE	19	11012708	BLACK CASING BOTTOM INSERT XSM
2	15002483	MANUAL PSA SUP037DR XSM/H FR	20	11012681	BLACK CASING BOTTOM COVER XSM
2	15002484	MANUAL PSA SUP037DR XSM/H ES	20	11013471	WHITE CASING BOTTOM COVER XSM
2	15002485	MANUAL PSA SUP037DR XSM/H PT	20	11022419	SAT.MET/GREY CASING BOTTOM COVER XSM
2	15002486	MANUAL PSA SUP037DR XSM/H NL	21	17000432	BLACK CASING BOTTOM XSMC
2	15002487	MANUAL PSA SUP037DR XSM/H SV	22	11012706	SS GRATE FOR DRIP TRAY XSM
2	15002488	MANUAL PSA SUP037DR XSM/H NO	23	11013184	RED FLOAT FOR DRIP TRAY XSM
2	15002489	MANUAL PSA SUP037DR XSM/H FI	24	11021857	WHITE DRIP TRAY XSM ASSY.
2	15002490	MANUAL PSA SUP037DR XSM/H DA	24	11022440	SAT.MET/GREY DRIP TRAY XSM ASSY.
2	15002491	MANUAL PSA SUP037DR XSM/H GR	24	11013229	BLACK DRIP TRAY XSM ASSY.
2	15002492	MANUAL PSA SUP037DR XSM/H PL	25	11012725	NAT/GREY BEAN COFFEE CONTAINER LID XSM
2	15002493	MANUAL PSA SUP037DR XSM/H RU	26	11012724	NAT/GREY BEAN CONTAINER XSM
2	15002494	MANUAL PSA SUP037DR XSM/H HU	27	11012642	BLACK COFFEEGRINDER PLATE XSM
2	15002495	MANUAL PSA SUP037DR XSM/H CS	28	11013709	3POLES CONNECTOR WATER LEVEL XSM UL
2	15002496	MANUAL PSA SUP037DR XSM/H SK	29	11000651	WATER LEVEL SENSOR BOARD P124
2	15002497	MANUAL PSA SUP037DR XSM/H UA	30	12000450	SCREW TCBR TORX 10 3,5X12 PLAST.ZN-N
2	15002498	MANUAL PSA SUP037DR XSM/H SL	31	11012709	BLACK DUMP BOX XSM
2	15002499	MANUAL PSA SUP037DR XSM/H RO	32	11012716	SS DOOR RIGHT SIDE XSM ASSY.
2	15002500	MANUAL PSA SUP037DR XSM/H CR	32	11013161	BLACK DOOR RIGHT SIDE XSM ASSY.
2	15002501	MANUAL PSA SUP037DR XSM/H BG	32	11022260	WHITE DOOR RIGHT SIDE XSM ASSY.
2	15002502	MANUAL PSA SUP037DR XSM/H SR	32	11025279	RED DOOR RIGHT SIDE XSM ASSY.
2	15002503	MANUAL PSA SUP037DR XSM/H CHN	33	11012713	BLACK HINGE FOR DOOR RIGHT SIDE XSM
2	15002504	MANUAL PSA SUP037DR XSM/H KOR	34	11012714	BLACK HINGE FOR REAR CASING XSM
2	15002577	MANUAL PSA SUP037DR XSM/H TWN	35	NE03.038	BIPOLAR SWITCH FUSIT C1250AR
2	15002740	MANUAL PSA SUP037DR XSM/H SA	36	NE05.013	MICROSWITCH SAIA XGK52-81-J23
3	147622800	TRANSPARENT SILICONE FOOT	37	17000431	COFFEE GRINDER SOUNDPROOFING COVER
4	183911050	BLACK POWER CABLE SCHUKO L=1200	38	11013109	BLACK REAR CASING+SS INSERT XSM ASSY.
4	183930650	POWER CABLE CH BLACK 3X1 H05VV-F L=1200	38	11013104	BLACK REAR CASING XSM
4	183970350	BLK POWER CABLE 3X1 H05VV-F UK L=1200MM	38	11025276	BLACK REAR CASING+RED INSERT XSM ASSY.
4	11001985	BLACK POWER CABLE KOREA 3X1 L=1200	38	11013600	WHITE REAR CASING XSM
4	11004246	BLACK POWER CABLE TAIWAN HVCTF L=1200	39	11013704	TRANSP.COVER INFRAREDS ACCESS XSM
4	11004247	BLACK POWER CABLE RVV 3X1 CHINA L=1200	40	149213000	TRANSP.CAP FOR KNOBS BEAN CONTAINER
5	11013206	BLK BEAN COFF.GRIND.ADJUSTMENT KNOB XSM	41	120350604	SHAFT 6 UNI 7434
6	11013160	SS WATER TANK COVER XSM ASSY.	42	11012301	BLACK PWR/CPU BOARD PROTECTION P0057
6	11025269	RED WATER TANK COVER XSM ASSY.	43	11012593	CPU+SW AS.XSM V2 230V
7	11013093	NAT/GREY WATER CONTAINER XSM ASSY.	43	11023761	AS.CPU+SW XSM/P V2 120V
8	224640200	WHITE WATER CONTAINER EXT.FILTER ASSY.	43	11026606	AS.CPU+SW XSM/H V3 230V
9	140328461	EPDM OR METRIC 0190-10	43	11026608	AS.CPU+SW XSM/H V3 120V
10	11003672	SS SPRING FOR WATER CONTAIN.VALVE P0049	44	20006885	KIT PS-E INSERT FOR BOX XSM
11	11003673	GREY WATER CONTAINER VALVE INSERT P0049	45	129913202	SCREW TCB TORX 10 3X8 PLAST.ZN-B
12	11003671	TRANSP.VALVE FOR WATER CONTAINER P0049	46	13001268	DISPLAY BOX XSM/H PSA SYNTIA DGT/CL WE
13	11001298	BLACK LID FOR DUCKBILL VALVE P0049	46	13001269	DISPLAY BOX XSM/H PSA SYNTIA DGT/CL CEE
14	11012718	SS UPPER CASING COVER XSM/H ASSY.	47	146680850	BLACK COFFEE MEASURE SMART
14	11025243	RED UPPER CASING COVER XSM/H ASSY.	48	11022065	ADHES.SILVER PLATE LOGO SYNTIA
15	11025026	ADHES.SILVER PLATE LOGO PHILIPS-SAECO	49	12000280	CUP SOCKET EN 60320 C 13
16	11012921	CHROMED UPPER COVER CASING CAP XSM	50	11021826	SS DUMP BOX COVER XSM ASSY.
17	11013102	NAT/GREY GROUND COFFEE HOPPER LID XSM	50	11025244	RED DUMP BOX COVER XSM ASSY.
18	11013107	BLACK CASING LEFT SIDE XSM	51	21001404	ACC SAE BRITA UNI.WAT.FILTERX1 EUR-ASIA

E74158

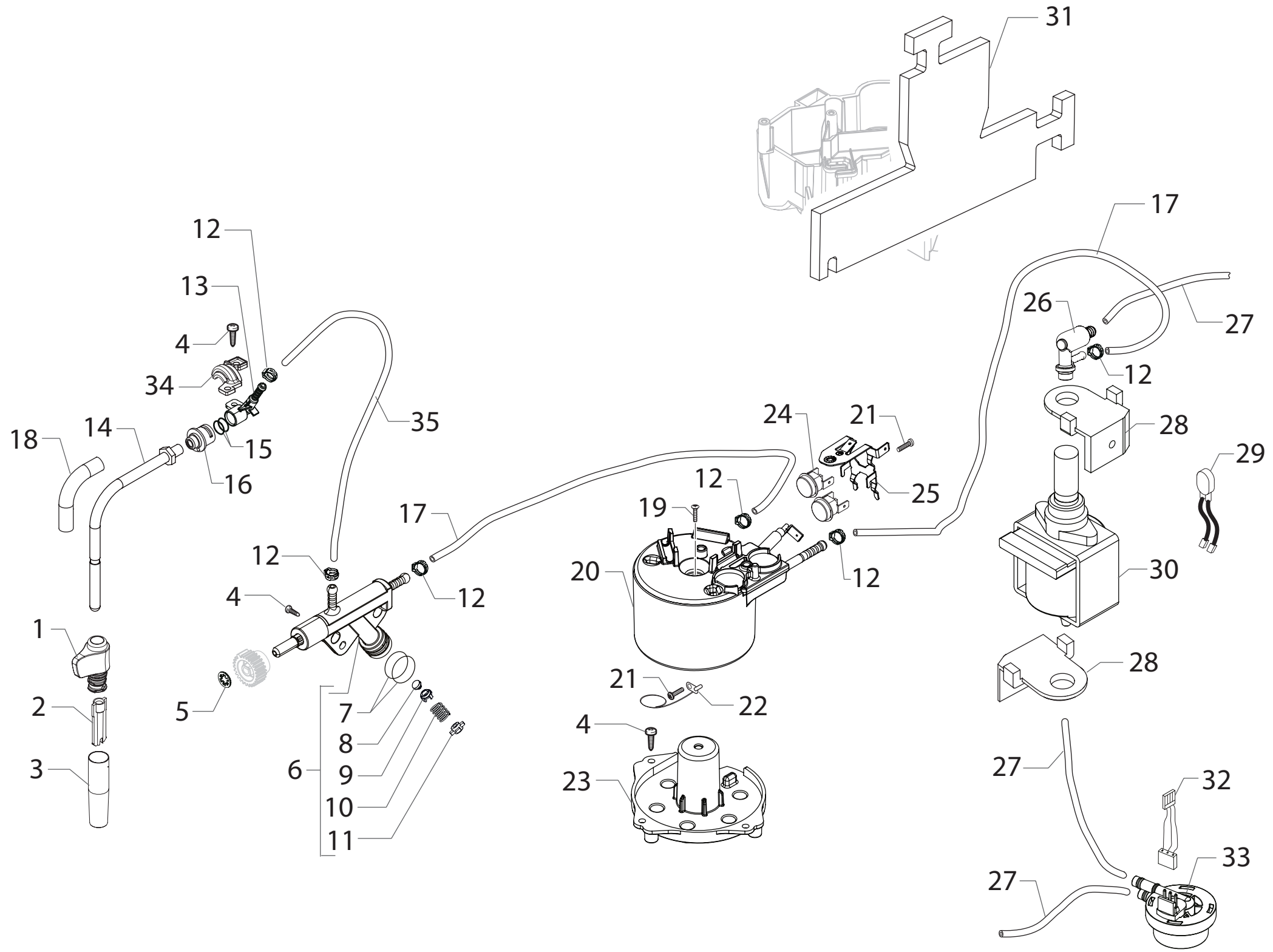
HD8836, HD8837

Pos	Article-Nr.	Description
52	129912504	SCREW TCBR TORX 10 3,5X14 PLAST.ZN-N
53	0301.961	STICKER FOR WATER HARDNESS TEST
54	17000064	BLK CAPACIT.SENSOR DEADLOCK INSERT XSM

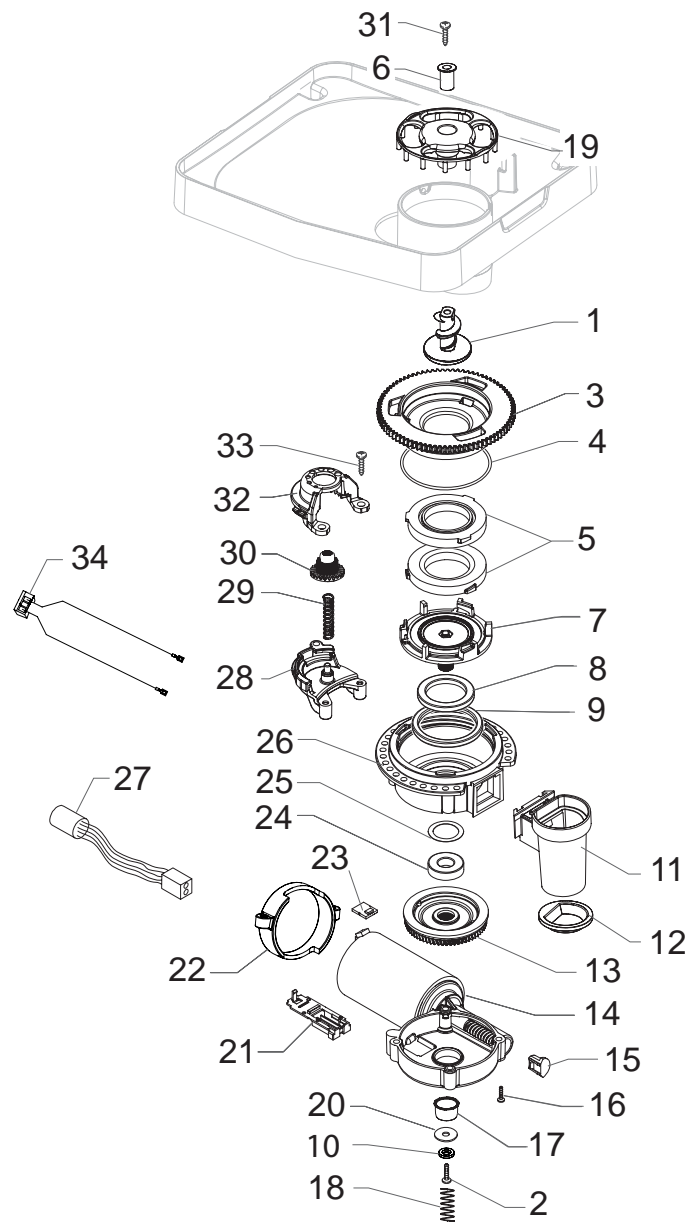
Pos	Article-Nr.	Description
-----	-------------	-------------



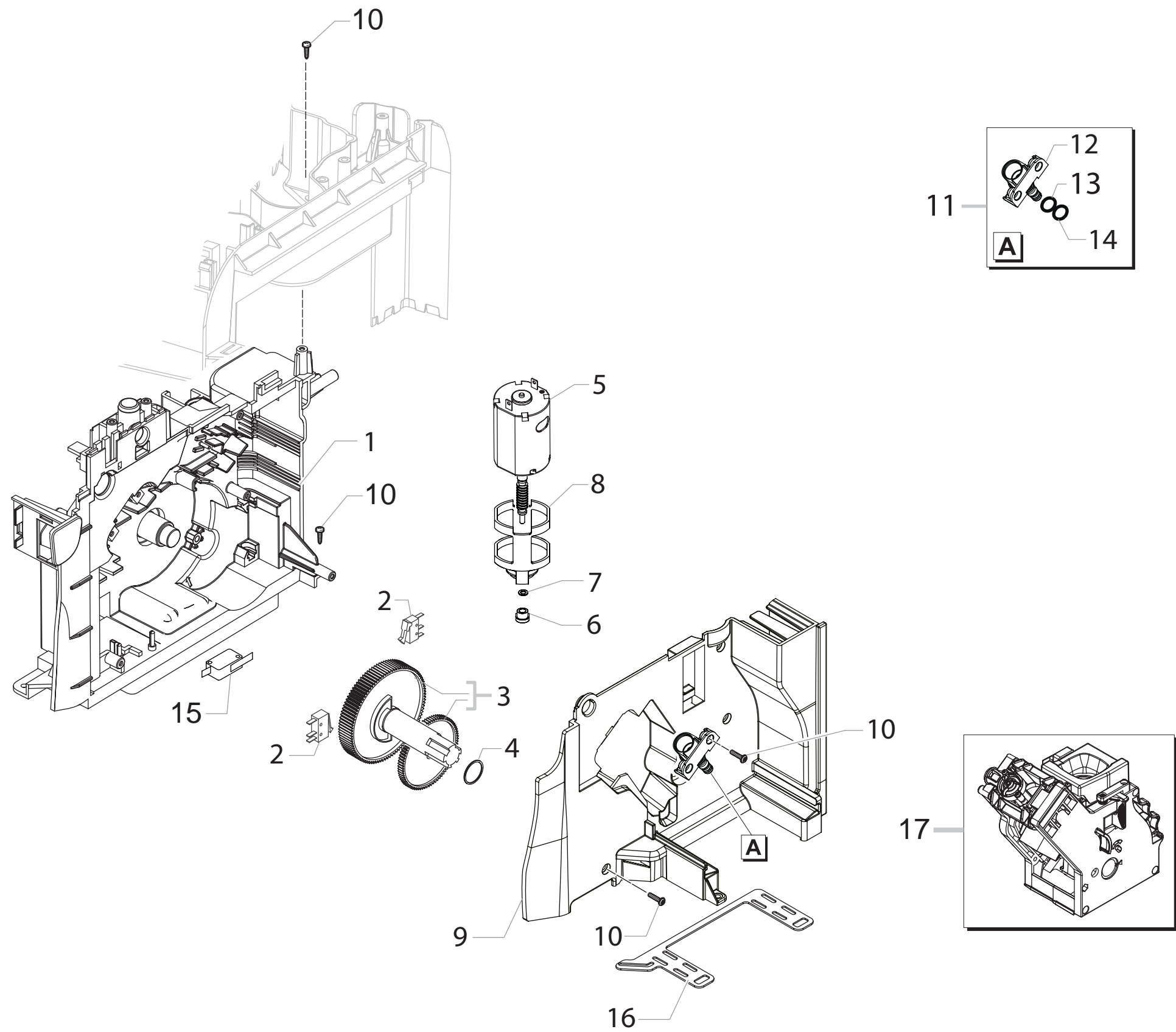
Pos	Article-Nr.	Description	Pos	Article-Nr.	Description
1	11013092	CHROM.TOUCH PANEL COVER XSM			
2	17000480	TRANSP.GLASS V2 FOR DISPLAY XSM/H			
3	11012700	BLACK DISPLAY FRAME XSM/H			
4	11013098	CHROM.TOUCH PANEL S/SCREEN XSM/H			
5	11012698	BLACK DISPLAY SEAL XSM/H			
6	20006982	KIT SPARES CPU+SW W/DISPL.XSM/H 230V			
6	20006983	KIT SPARES CPU+SW W/DISPL.XSM/H 120V			
6	12001612	DISPLAY CMG122647Z01ZBW XSM/H			
7	11012699	BLACK DISPLAY SUPPORT XSM/H			
8	11013117	BLACK CONTROL KNOB SUPPORT XSM ASSY.			
9	11012701	BLACK CONTROL KNOB XSM			
10	11013091	CHROM.CONTROL KNOB COVER XSM/H			
11	11021454	BLACK CONTROL KNOB COVER INSERT XSM			
12	11012820	INTERFACE BOARDS +UL CABLES XSM/H ASSY.			
13	11012704	BLACK KNOB ELECTR.BOARD SUPPORT XSM			
14	11004120	BLACK STEAM/WATER GEAR Z=26 P0057			
15	11013096	CHROMED FRONT PLATE XSM			
16	11013070	BLACK COFFEE DISPENSER XSM ASSY.			
17	9011.144	SS FORK FOR TUBE D=4			
18	11004132	TEFLON TUBE 2X4 L=250 MM ASSY.			
19	11005100	PLATE FOR 4X2 TEFLON TUBE P124			
20	11005101	BUSH FOR 4X2 TEFLON TUBE P124			
21	140328059	OR 2015 IN SILICONE PTFE/FDA			
22	149361200	BLACK SILICONE TUBE 7,5X9,3 IN ROLL			
23	11013411	BLACK COF.DISPENSER MOBILE PART SUPP.XSM			
24	11012707	BLACK FRONT PANEL SUPPORT XSM			
25	12000450	SCREW TCBR TORX 10 3,5X12 PLAST.ZN-N			
26	11021760	CHROM.COFF.DISPENSER SUPP.S/SCR.XSM ASSY			
27	129912504	SCREW TCBR TORX 10 3,5X14 PLAST.ZN-N			



Pos	Article-Nr.	Description	Pos	Article-Nr.	Description
1	11007194	BLACK STEAM TUBE HANDGRIP G0053			
2	11001620	BLACK PANNARELLO INNER TUBE P0049			
3	11011504	TF/CHROM.PANNARELLO COVER P0049			
4	12000450	SCREW TCBR TORX 10 3,5X12 PLAST.ZN-N			
5	128210600	ELASTIC WASHER FOR SHAFT D=6MM			
6	11012381	FLOW SELECTOR FAUCET V2 P0057			
7	12000893	BLACK OR METRIC 0120-20 IN EPDM			
8	11008104	MUSHROOM VALVE FOR FLOW SELECTOR P0057			
9	11008105	FLOW SELECTOR VALVE SUPPORT P0057			
10	11008077	STEEL FLOW SELECTOR VALVE SPRING P0057			
11	11008106	FLOW SELECTOR VALVE CAP P0057			
12	12000892	OETIKER CLAMP D=9,5 16700004			
13	11005757	STEAM TUBE SUPPORT P0057			
14	11013637	TF/CHROM.STEAM TUBE XSM ASSY.			
15	140324461	OR ORM 0060-20 IN TERMOIL			
16	11011127	BLACK PA6 BUSH FOR STEAM TUBE P0057			
17	16000380	5X8,9 SILICONE TUBE IN ROLL			
18	11012923	CHROM.STEAM TUBE PROTECTION XSM			
19	129932502	SCREW TSP 5X30 PLAST.ZN-B			
20	11011341	V4 TUB.BOILER 1300W 230V ASSY.			
20	11011342	V4 TUB.BOILER 1300W 120V ASSY.			
21	129573202	SCREW TCB TORX 20 M4X8 AUTOFORMING ZN-B			
22	190800100	TEMPERATURE SENSOR NTC UL L=280MM			
23	11003752	BLACK BOILER SUPPORT P0057			
24	12001034	THERMOSTAT ONE SHOT 175°			
25	11010164	TUB.BOILER V6 SIDE THERMOSTATES SPRING			
26	11010166	PLAST-TEA/BR.SAFETY VALVE 16-18 BAR ASSY			
27	JS01.022	SILICONE TUBE 5X10 60SH IN ROLL			
28	149205850	BLACK PUMP SUPPORT TYPE ULKA			
29	11009747	2POLES CONNECTOR PUMP P0057 UL			
30	12000140	ULKA PUMP EP5/S GW 230V-50HZ			
30	12000142	ULKA PUMP EAP5/S 120V-60HZ			
30	12000182	ULKA PUMP EP5/S GW 220V-60HZ			
31	11021450	TUB.BOILER STD C1 INSULATING			
32	11005948	3POLES CONNECTOR FLOWMETER P0057			
33	NV99.099	TURBINE D=1,2 932-8521/00 ASSY.			
34	11013894	BLACK FORK FOR STEAM TUBE GXSM			
35	16000719	BLK LINE 5X8,9 SILICONE TUBE IN ROLL			
100	11009776	TUB.BOILER STD C1 1300W 230V ASSY.			
100	11009778	TUB.BOILER STD C1 1300W 120V ASSY.			



Pos	Article-Nr.	Description	Pos	Article-Nr.	Description
1	11010031	TEA/ZAMA INCREASE SCREW GRINDER			
2	129574802	SCREW TCB TORX 20 M4X30 ZN-B			
3	149198250	BLK UPPER COFFEEGRINDER GRINDER SUPPORT			
4	140328960	NBR FDA OR METRIC 0530-15			
5	146520100	BAKED CLAY GRINDER 48X28			
6	11012466	BRASS BUSH BEAN CONT.FINGER PROTEC.P0057			
7	149198350	BLK LOWER COFFEEGRINDER GRINDER SUPPORT			
8	123030300	AXIAL BEARING EKKO 342.35252			
9	140360500	FELT RING 45,4X39,4X4			
10	128310402	GALV.WASHER UNI 8842 A4			
11	11012564	BLK GROUND COFF.OUTLET CONVEYOR V2 ASSY.			
12	145854462	BLK GROUND COFFEE CONT.LOWER SEAL SMART1			
13	226000300	GEAR SX Z=38 FOR GRINDER MOTION ASSY.			
14	11000511	MOTOR COFFEEGRINDER V3.1 120V ASSY.			
14	11000513	MOTOR COFFEEGRINDER V3.1 230V ASSY.			
15	149214800	MC V3 MOD=1,25 WORM SCREW CENTRING CAP			
16	129661702	SCREW TCB TORX 3,5X30 PLAST.ZN-B			
17	11002873	INSULATOR BUSH FOR GRINDER MOTOR P124			
18	11000597	COFFEE GRINDER SUPPORT SPRING P124			
19	11014285	BLK V2 BEAN CONTAIN.FINGER PROTECT.P0057			
20	128381902	STEEL FLAT WASHER DI=4,3 DE=14 SP=1,5			
21	149199050	BLK SENSOR SUPPORT FOR COF.GRINDER MOTOR			
22	11000194	BLACK COFFEEGRINDER MOTOR SUPPORT P124			
23	181540900	ELECTR.BOARD WITH SENSOR HAL506 SF-K			
24	123030200	RADIAL BEARING 61900.2RS1			
25	128381800	STEEL CRINKLE WASHER 21,8X14X0,25			
26	142905450	BLK UPPER BODY WITH COFFEE GROUND OUTLET			
27	11008871	3 POLES CONNECTOR MC SENSOR S0053 UL			
28	11002613	LOWER COFFEEGRINDER GEAR SUPPORT P124			
29	11002572	COFFEEGRINDER REGULATION SPRING P124			
30	11003784	COFFEE GRINDING ADJUSTMENT GEAR P0049			
31	U043.004	ZN-B TCB SCREW M4X16			
32	11002508	UPPER COFFEEGRINDER GEAR SUPPORT P124			
33	129914002	SCREW TCB TORX 10 3,5X16 PLAST.ZN-B			
34	11008869	2P.CONNECT.COFFEE GRINDER MOTOR S0053			
100	11013028	GEN.MOTOR COFF.GRINDER P0057 120V ASSY.			
100	11006059	GEN.MOTOR COF.GRINDER STD P0057 230V ASS			



E74158**HD8836, HD8837**

Pos	Article-Nr.	Description
1	17000366	BLK RATIOMOTOR MOUNTING PLATE XSMC ASSY.
2	NE05.038	MICROSWITCH
3	20000900	SPARES KIT GEARS FOR RATIOMOTOR V2
4	9161.132	MYLAR WASHER FOR RATIOMOTOR
5	11003037	MOTOR FOR RATIOMOTOR ASSY.
6	9121.046	BRONZE SINTERED BUSH FOR MOTOR RATIOMOT.
7	148380200	BAKELIZZATE WASHER D=5,5
8	9121.044	ANTIVIBRATION FOR MOTOR
9	11003754	BLK RATIOMOT.MOUNTING PLATE COVER P0057
10	12000450	SCREW TCBR TORX 10 3,5X12 PLAST.ZN-N
11	11013531	PIN FOR FLOW SELECTOR FAUCET P0057 ASSY.
12	11013530	PIN FOR FLOW SELECTOR FAUCET V2 P0057
13	NM01.035	OR ORM 0090-20 SILICONE
14	NM01.057	OR ORM 0050-20 IN SILICONE
15	NE05.013	MICROSWITCH SAIA XGK52-81-J23
16	11013205	BLACK SEAL FOR RATIOMOTOR PLATE XSM
17	11012382	BLACK BREW UNIT 8GR.5BAR P0057

Pos	Article-Nr.	Description
-----	-------------	-------------