

# Service Service Service



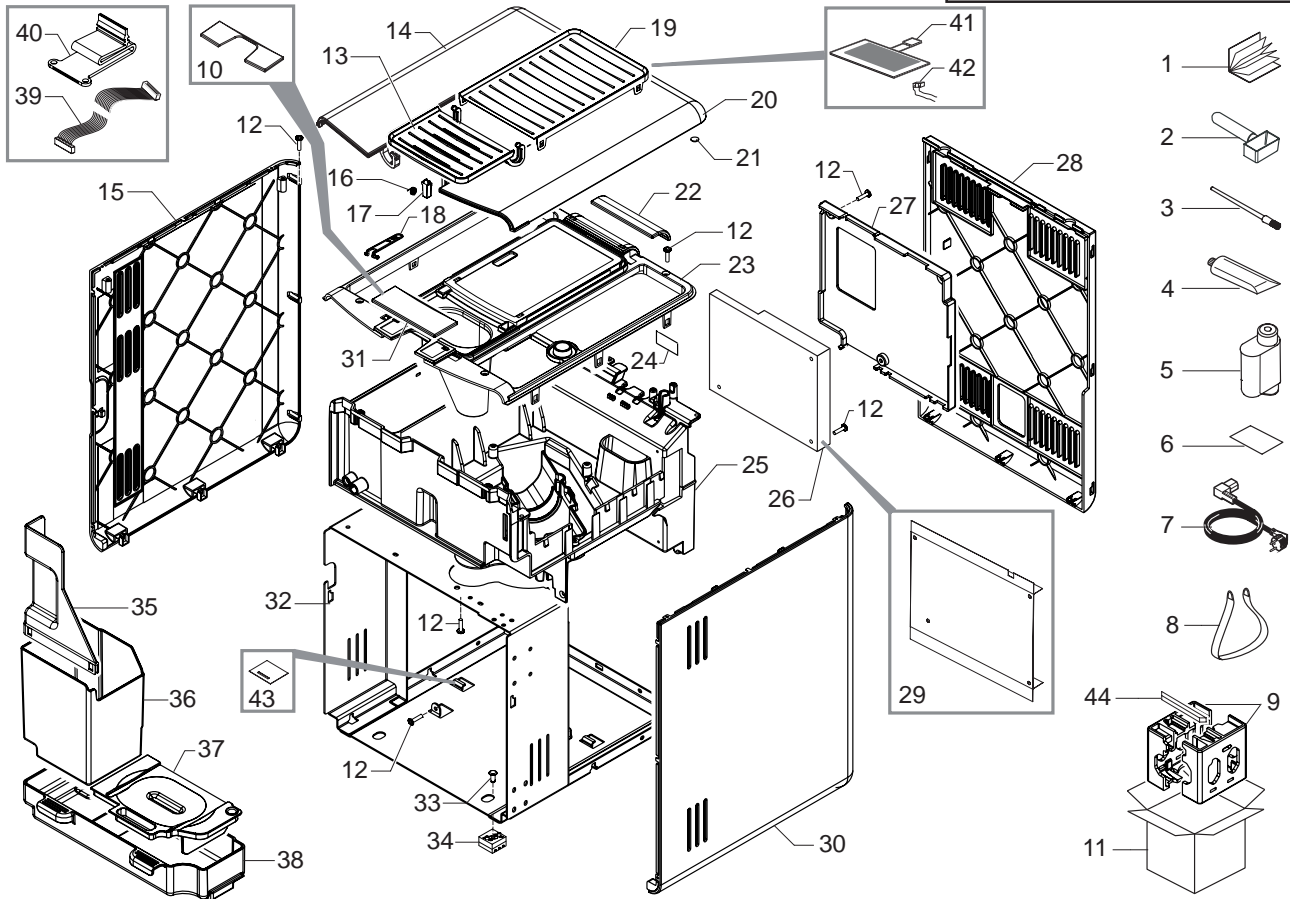
# Exploded View

## Contents

## Table

External / Electronical components	1/8
Front panel / User interface	2/8
Coffee dispenser	3/8
Water / coffee container	4/8
Milk carafe	5/8
Water system	6/8
Coffee grinder assembly	7/6
Gear motor / Brewing unit	8/8

All rights reserved. No part of this publication may be reproduced, stored in a retrieval system or transmitted, in any form or by any means, electronic, mechanical, photocopying, or otherwise without the prior permission of Saeco.



PHILIPS

**Saeco**

HD8943-SUP038-  
HD8944-SUP038Z  
HD8946

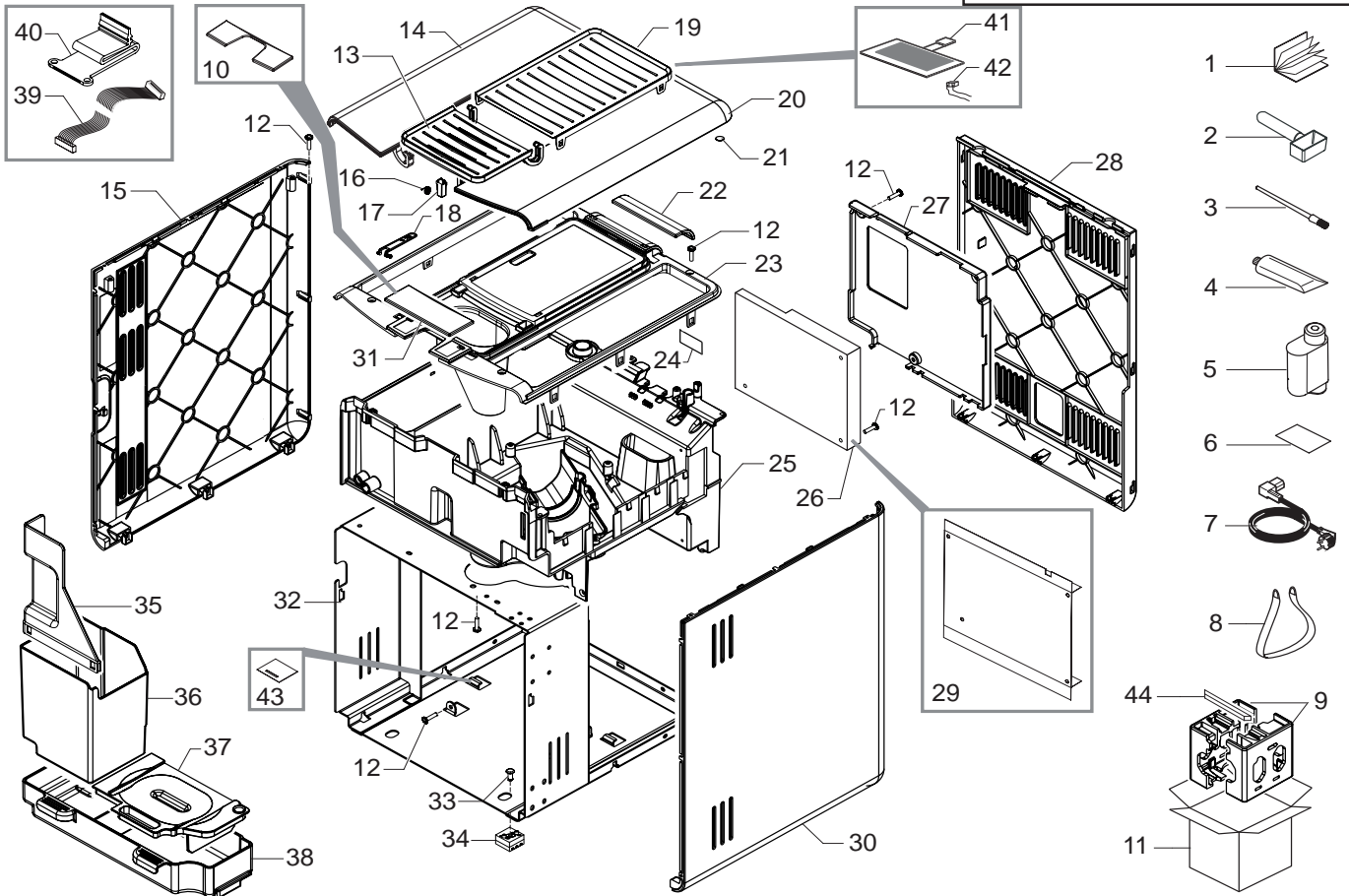


Cod.10003311-3312-3313-3315-3562-3563-3564-3565-3566-  
1003567-3568-3569-3570-3571-3572-3573-3576-3577

POS	CODE	DESCRIPTION	NOTE	POS	CODE	DESCRIPTION	NOTE
01	15002400	MANUAL PSA SUP038Z MYB9/T IT	ID	01	15002456	MANUAL PSA SUP038 MYB9/H SR	
	15002401	MANUAL PSA SUP038Z MYB9/T DE	ID	02	146680850	BLACK COFFEE MEASURE SMART	
	15002402	MANUAL PSA SUP038Z MYB9/T GB	ID	03	127390100	BRUSH FOR CLEANING	
	15002403	MANUAL PSA SUP038Z MYB9/T FR	ID	04	11005044	SAECO KLUBER TRIBOSTAR SIL 2 TUBE 5GR.	
	15002404	MANUAL PSA SUP038Z MYB9/T ES	ID	05	21001404	ACC SAE BRITA UNI.WAT.FILTERX1 EUR-ASIA	
	15002405	MANUAL PSA SUP038Z MYB9/T PT	ID		21001120	ACC SAE BRITA WATER FILTER 1UNIT AMERICA	
	15002406	MANUAL PSA SUP038Z MYB9/T NL	ID	06	0301.961	STICKER FOR WATER HARDNESS TEST	
	15002407	MANUAL PSA SUP038Z MYB9/T GR	ID	07	183911050	BLACK POWER CABLE SCHUKO L=1200	
	15002408	MANUAL PSA SUP038Z MYB9/T DA	ID		183930650	PO.CABL.CH BLACK 3X1 H05VV-F L=1200	
	15002409	MANUAL PSA SUP038Z MYB9/T SV	ID		183921950	POWER CABLE SJT3 USA BLACK UL L=1200	
	15002410	MANUAL PSA SUP038Z MYB9/T FI	ID		183940650	BLACK POWER CABLE AUSTRALIA L=1200	
	15002411	MANUAL PSA SUP038Z MYB9/T NO	ID		11001985	BLACK POWER CABLE KOREA 3X1 L=1200	
	15002412	MANUAL PSA SUP038Z MYB9/T PL	ID		11004246	BLACK POWER CABLE TAIWAN HVCTF L=1200	
	15002413	MANUAL PSA SUP038Z MYB9/T RU	ID		11004247	BLACK POWER CABLE RVV 3X1 CHINA L=1200MM	
	15002414	MANUAL PSA SUP038Z MYB9/T UA	ID		17800024	BLACK POWER CABLE JAPPOON VCTF L=1200MM	
	15002415	MANUAL PSA SUP038Z MYB9/T CS	ID	08	13001097	BAND FOR LIFTING L=1800 H=300 MM MYB9	
	15002416	MANUAL PSA SUP038Z MYB9/T SK	ID	09	20006891	KIT PS-E INSERT FOR BOX MYB9	
	15002417	MANUAL PSA SUP038Z MYB9/T RO	ID	10	11022804	SW/SS FRONT COVER CASING INS.MYB9/T ASSY	ID
	15002418	MANUAL PSA SUP038Z MYB9/T BG	ID	11	13001263	DISPLAY BOX MYB9/H PSA XELSIS SS/CL.WE	
	15002419	MANUAL PSA SUP038Z MYB9/T CR	ID		13001264	DISPLAY BOX MYB9/H PSA XELSIS SS/CL.CEE	
	15002420	MANUAL PSA SUP038Z MYB9/T SL	ID		13001265	DISPLAY BOX MYB9/T PSA XELSIS ID SS WE	ID
	15002421	MANUAL PSA SUP038Z MYB9/T SR	ID		12000450	SCREW TCBR TORX 10 3,5X12 PLAST.ZN-N	
	15002434	MANUAL PSA SUP038Z MYB9/T HU	ID	13	11013210	SB/SS GROUND CONT.DOOR COVER S/S.MYB9 AS	
	15002437	MANUAL PSA SUP038 MYB9/H GB	ID		11023203	SW/SS GROUND CONT.DOOR COVER S/S.MYB9 AS	ID
	15002357	MANUAL PSA SUP038 MYB9/H CHN	ID	14	11013148	SB/SS WATER CONTAIN.DOOR COVER MYB9 ASSY	
	15002358	MANUAL PSA SUP038 MYB9/H KOR	ID		11013284	BLACK WATER CONTAIN.DOOR COVER MYB9 ASSY	
	15002435	MANUAL PSA SUP038 MYB9/H IT	ID		11013302	WHITE WATER CONTAIN.DOOR COVER MYB9 ASSY	
	15002436	MANUAL PSA SUP038 MYB9/H DE	ID		11023196	SW/SS WATER CONTAIN.DOOR COVER MYB9 ASSY	ID
	15002438	MANUAL PSA SUP038 MYB9/H FR	ID	15	11013167	SB/SS LEFT SIDE PANEL MYB9/T-H ASSY.	
	15002439	MANUAL PSA SUP038 MYB9/H ES	ID		11013272	BLACK LEFT SIDE PANEL MYB9/T-H ASSY.	
	15002440	MANUAL PSA SUP038 MYB9/H PT	ID		11013295	WHITE LEFT SIDE PANEL MYB9/T-H ASSY.	
	15002441	MANUAL PSA SUP038 MYB9/H NL	ID		11023192	SW/SS LEFT SIDE PANEL MYB9/T-H ASSY.	ID
	15002442	MANUAL PSA SUP038 MYB9/H GR	ID	16	11022426	SS SPRING FOR WATER CONTAINER LEVER MYB9	
	15002443	MANUAL PSA SUP038 MYB9/H DA	ID	17	12001263	BLACK PUSH-PUSH MYB9	
	15002444	MANUAL PSA SUP038 MYB9/H SV	ID	18	11022425	YELLOW LEVER FOR WATER CONTAIN.S/SC.MYB9	
	15002445	MANUAL PSA SUP038 MYB9/H FI	ID	19	17000071	SB/SS CUP WARMING LID MYB9 ASSY.	
	15002446	MANUAL PSA SUP038 MYB9/H NO	ID		11024244	SW/SS CUP WARMING LID MYB9 ASSY.	ID
	15002447	MANUAL PSA SUP038 MYB9/H PL	ID	20	11013149	SB/SS BEAN CONTAIN.DOOR COVER MYB9 ASSY.	
	15002448	MANUAL PSA SUP038 MYB9/H RU	ID		11013287	BLACK BEAN CONTAIN.DOOR COVER MYB9 ASSY.	
	15002449	MANUAL PSA SUP038 MYB9/H UA	ID		11013304	WHITE BEAN CONTAIN.DOOR COVER MYB9 ASSY.	
	15002457	MANUAL PSA SUP038 MYB9/H HU	ID		11023198	SW/SS BEAN CONTAIN.DOOR COVER MYB9 ASSY.	ID
	15002450	MANUAL PSA SUP038 MYB9/H CS	ID	21	12001330	TRANSP.ROUND ADHESIVE FOOT SJ-5382	
	15002451	MANUAL PSA SUP038 MYB9/H SK	ID	22	11022809	SB/SS REAR COVER CASING INSERT MYB9 ASSY	
	15002452	MANUAL PSA SUP038 MYB9/H RO	ID		11022821	BLK REAR COVER CASING INSERT MYB9 ASSY.	
	15002453	MANUAL PSA SUP038 MYB9/H BG	ID		11022820	WHT REAR COVER CASING INSERT MYB9 ASSY.	
	15002454	MANUAL PSA SUP038 MYB9/H CR	ID		11023105	SW/SS REAR COVER CASING INSERT MYB9 ASSY	ID
	15002455	MANUAL PSA SUP038 MYB9/H SL	ID	23	17000205	BLACK COVER CASING V/PROTECT.V2 MYB9/T-H	

PSA XELSIS - XELSIS ID

TABLE 1a/8



PHILIPS

**Saeco**

HD8943-SUP038-  
HD8944-SUP038Z  
HD8946

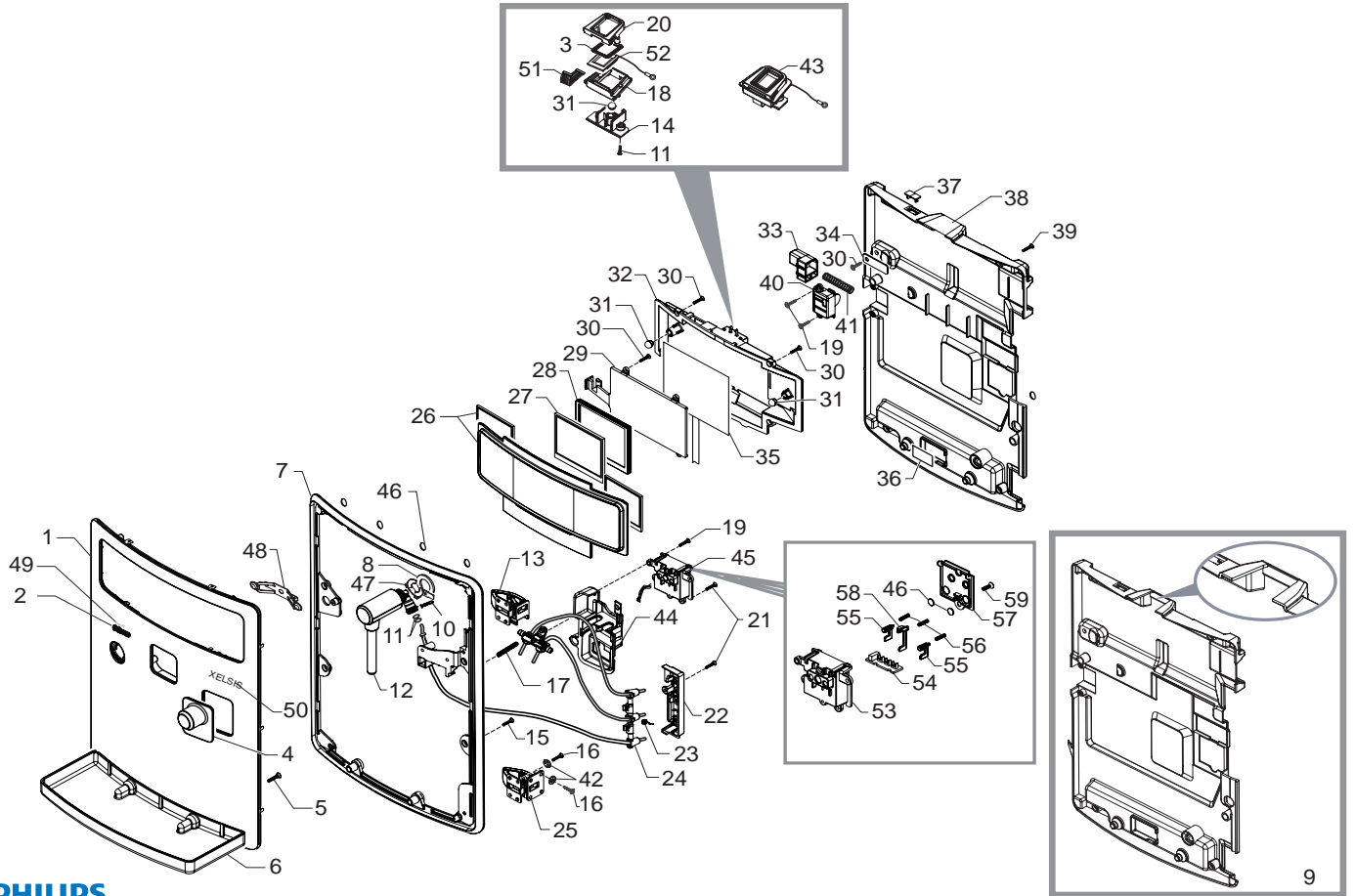


Cod.10003311-3312-3313-3315-3562-3563-3564-3565-3566-  
1003567-3568-3569-3570-3571-3572-3573-3576-3577

POS	CODE	DESCRIPTION	NOTE	POS	CODE	DESCRIPTION	NOTE
24	11000651	WATER LEVEL SENSOR BOARD P124					
25	11014017	BLACK HORIZONTAL MOUNTING PLATE MYB9 ASS					
26	11012018	PWR BOARD MYB9	230V				
	11021342	PWR BOARD MYB9	100V - 120V				
27	11012035	BLACK PWR BOARD COVER MYB9					
28	11013065	BLACK REAR PANEL WHIT LOGO SAECO MYB9					
29	11023304	INSULATE SHEET PWR ELECT.BOARD MYB9	(FOR 120V)				
30	11013166	SB/SS RIGHT SIDE PANEL MYB9/T-H ASSY.					
	11013259	BLACK RIGHT SIDE PANEL MYB9/T-H ASSY.					
	11013293	WHITE RIGHT SIDE PANEL MYB9/T-H ASSY.					
	11023191	SM/SS RIGHT SIDE PANEL MYB9/T-H ASSY.	ID				
31	11022805	SB/SS FRONT COVER CASING INS.MYB9/H-P AS					
	11022807	BLK FRONT COVER CASING INS.MYB9/H-P ASSY					
	11022806	WHT FRONT COVER CASING INS.MYB9/H-P ASSY					
32	11013170	BLACK STEEL CASING MYB9 ASSY.					
33	11021769	BLACK RIGID FOOT FIXING PIN MYB9					
34	11021829	BLACK/TRANSP.RIGID FOOT MYB9					
35	11022527	BLACK DUMP BOX PROTECTION MYB9					
36	11013595	BLACK DUMP BOX MYB9 ASSY.					
37	11022169	BLK DRIP TRAY COFF.BREW UNIT COVER MYB9					
38	11012777	BLACK DRIP TRAY COFFEE BREW UNIT MYB9					
39	11013128	40POLES FLAT CABLE BOARDS LINK MYB9 UL					
40	11013806	BLACK FLAT-CABLE PROTECTION MYB9					
41	WGA4316031000	ADESIVE HEATING-ELEMENT	230V				
	11000791	ADESIVE HEATING-ELEMENT	100V-120V				
42	11008844	2POLES CONNECT.SUPPLY CUPWARMING G0053UL					
43	17000007	INSULATE SHEET COMPONENTS SUPPORT MYB9	(ONLY FOR 120V)				
44	13001231	PS-E INSERT FOR BOX MYB9	(ONLY FOR XELSIS)				

PSA XELSIS - XELSIS ID

TABLE 1b/8



PHILIPS

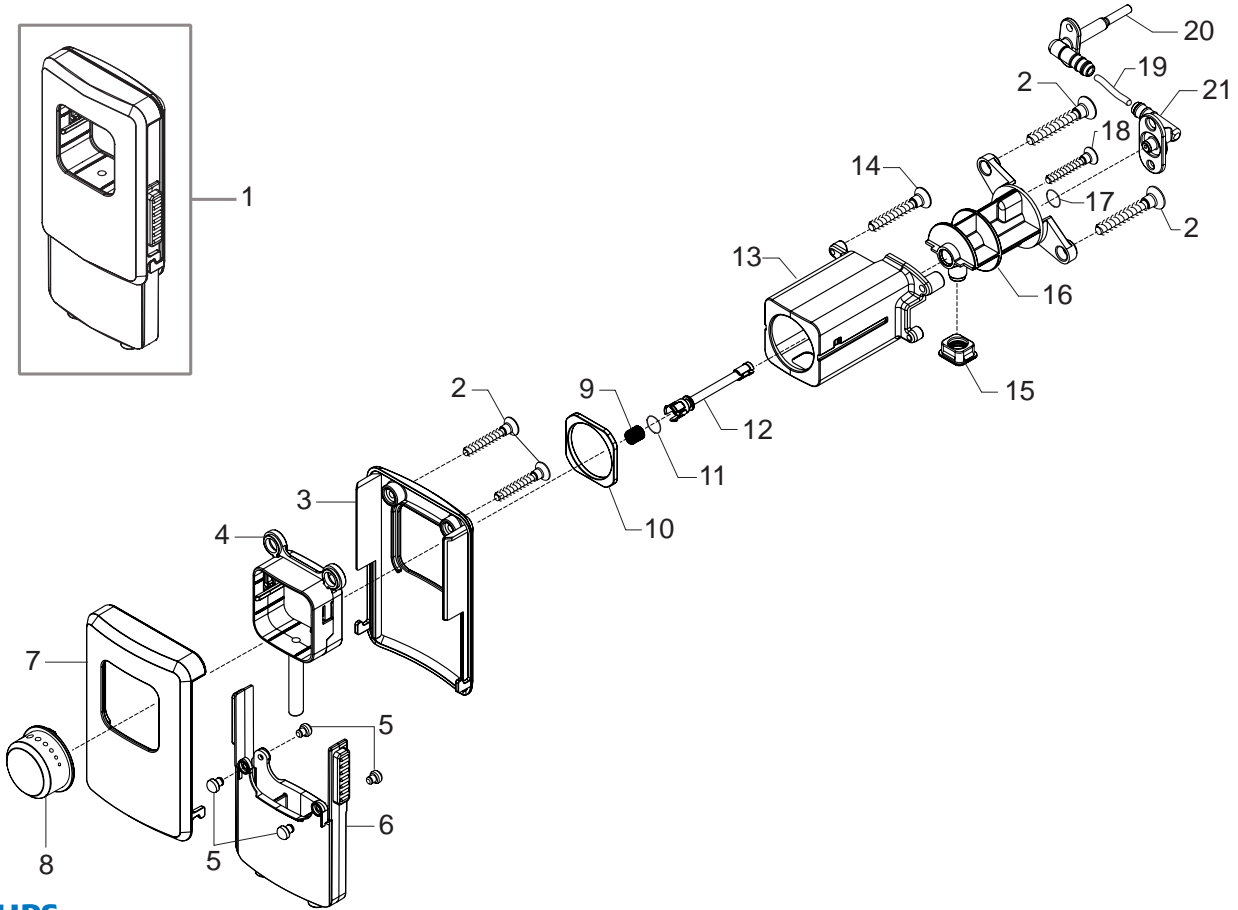
Saeco

HD8943-SUP038-  
HD8944-SUP038Z  
HD8946



Cod.10003311-3312-3313-3315-3562-3563-3564-3565-3566-  
1003567-3568-3569-3570-3571-3572-3573-3576-3577

POS	CODE	DESCRIPTION	NOTE	POS	CODE	DESCRIPTION	NOTE
01	11023522	BLK FRONTAL PANEL V2 S/SCREEN MYB9 ASSY.		43	20006871	KIT SPARES FINGERPRINT SENSOR MYB9/T	ID
	11023523	WHT FRONTAL PANEL V2 S/SCREEN MYB9 ASSY.		44	11023251	BLACK FRONTAL PANEL INSERT MYB9	
	11023319	SM/SS FRONTAL PANEL V2 MYB9 ASSY.	ID	45	11023423	BLK CARAFFE BOARD SUPP.GEN.V2 MYB9 ASSY.	
	11024475	SB/SS FRONTAL PANEL V2 S/SCR.MYB9 ASSY.	SS	46	12001330	TRANSP.ROUND ADHESIVE FOOT SJ-5382	
02	11011406	ADHES.SILVER PLATE LOGO SAECO P0057		47	17000043	FOLK SPRING MYB9 ASSY.	
03	17000035	BLACK V2 FINGERPRINT SENSOR SEAL MYB9/T	ID	48	11006740	BRONZE SPRING FOR FRONT CASING G0053	
04	11024247	CHROM.CONNec.CAP FOR CARAFE V2 MYB9 ASSY		49	11024301	ADHES.SILVER PLATE LOGO PHILIPS	
05	12001369	SCREW TSP TORX 10 5X35 PLAST.SS		50	11022725	ADHES.SILVER PLATE LOGO XELSIS	
06	11012831	BLACK DRIP TRAY SUPPORT MYB9/H-P		51		PARTICULAR NOT AVAILABLE	ID (SEE PART.N°43)
	11022386	BLACK DRIP TRAY SUPPORT MYB9/T	ID	52		PARTICULAR NOT AVAILABLE	ID (SEE PART.N°43)
07	11023393	CHROMED ZAMA FRONT FRAME V2 MYB9		53	11023238	BLACK CARAFFE BOARD COVER MYB9	
08	11001624	STEAM TUBE WASHER P0049		54	11013368	MILK CARAFFE BOARD V2 MYB9	
09	17000022	BLK INSIDE COVER FRON.PANEL V2 S/S.MYB9T	ID	55	17000002	BLACK CARAFE MICRO INSERT V2 MYB9	
10	9011.144	SS FORK FOR TUBE D.4		56	17000019	SS CARAFE MICRO INSERT SPRING MYB9	
11	140328059	OR 2015 IN SILICONE PTFE/FDA		57	11013328	BLACK CARAFFE BOARD COVER MYB9	
12	11013244	TF/CHROM.STEAM TUBE MYB9 ASSY.		58	17000045	BLK PRESENCE CARAFE MICRO INSERT V2 MYB9	
13	17000106	DOOR UPPER HINGE V2 MYB9		59	12000895	VITE TSP 3X10 PLAST.INOX	
14	11013309	BLACK FINGER PRINT SUPPORT MYB9/T	ID				
15	12001430	SCREW TCB TORX 20 4X10 PLAST.SS					
16	129823821	TCB SCREW M4X8 UNI 7687 SS					
17	17000006	TWO WAY TEFLON TUBES SUPPORT SPRING MYB9					
18	17000074	BLK LOWER FINGERPRINT SENS.SEAL V2 MYB9/T	ID				
19	12000450	SCREW TCB TORX 10 3,5X12 PLAST.ZN-N					
20	11012830	BLACK FINGER PRINT COVER MYB9/T					
21	12001431	SCREW TCB TORX 10 3X12 PLAST.SS					
22	11013784	BLACK TEFLON TUBES SUPPORT COVER MYB9					
23	11013785	TEFLON TUBES SUPPORT SPRING MYB9					
24	11023352	WHT PREFORM.TEFLON TUBES SUPP.MYB9 ASSY.					
25	17000094	DOOR LOWER HINGE V2 MYB9					
26	20006820	KIT SPARES FRONT PLATE DISPLAY MYB9/T-H	COMPLETE				
27	12001261	DISPLAY 320x240 NO TOUCH BRIGHTNESS+MYB9					
28	11013226	BLACK DISPLAY SEAL MYB9/T-H					
29	11012889	BLACK DISPLAY SUPPORT MYB9/T-H					
30	129913202	SCREW TCB TORX 10 3X8 PLAST.ZN-B					
31	149450588	65SH SILICONE BOILER SEALING VALVE					
32	17000014	BLACK CPU BOARD COVER V2 MYB9/T-H					
33	11014215	BLACK BUTTON FOR DOOR RELEASE MYB9					
34	11021976	GALV.PLATE FOR DOOR CLOSURE MYB9					
35	11024441	CPU+SW MYB9/H PSA ASSY.					
35	11024443	CPU+SW MYB9/T PSA ASSY.	ID				
36	11000651	WATER LEVEL SENSOR BOARD P124					
37	11001339	TRANSPARENT INFRAREDS PLATE P0049					
38	17000021	BLK INSIDE COVER FRON.PANEL V2 S/S.MYB9H					
39	129912521	SCREW TCB TORX 10 3,5X14 PLAST.SS					
40	11014218	BLACK COVER BUTTON FOR DOOR RELEASE MYB9					
41	11021747	SPRING FOR DOOR RELEASE BUTTON MYB9					
42	128310402	GALV.WASHER UNI 8842 A4					



PHILIPS

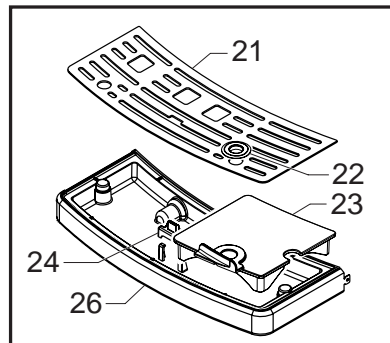
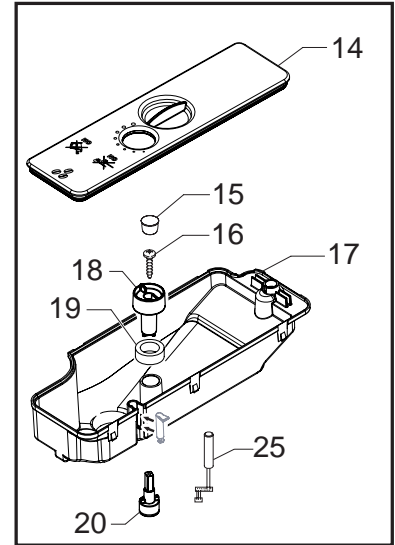
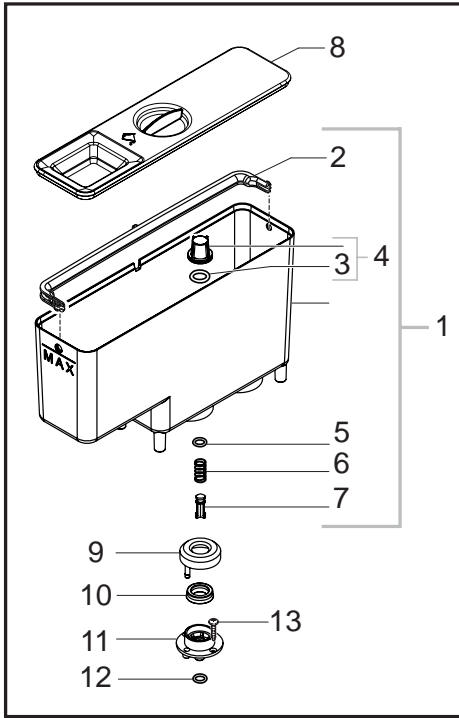
**Saeco**

HD8943-SUP038-  
HD8944-SUP038Z  
HD8946



Cod.10003311-3312-3313-3315-3562-3563-3564-3565-3566-  
1003567-3568-3569-3570-3571-3572-3573-3576-3577

POS	CODE	DESCRIPTION	NOTE	POS	CODE	DESCRIPTION	NOTE
01	11013182	CHROM.COFFEE DISPENSER MYB9 ASSY. WITH PART. N° 02 - 03 - 04 - 05 - 06 - 07					
02	129570721	SCREW TCB TORX 10 M3X8 AUTOFORMING SS					
03	11013001	BLACK REAR COVER COFFEE DISPENSER MYB9					
04	11013003	BLACK INNER BODY COFFEE DISPENS.MYB9					
05	11013085	WHITE COFFEE DISPENSER SLIDER MYB9					
06	11013002	BLACK COF.DISPENSER EXT.MOBILE PART MYB9					
07	11013222	CHROM.FRONT COFFEE DISPENSER COVER MYB9					
08	11022128	CHROMED CREAM ADJUSTMENT KNOB S/SCR.MYB9					
09	126772518	SS.SPRING FOR COF.CREAM ADJUSTMENT SHAFT					
10	11013324	BLACK CREAM ADJUSTMENT KNOB RING MYB9					
11	140326661	BLACK OR METRIC 0040-20 IN EPDM					
12	140640200	WHITE COFFEE CREAM ADJUSTMENT SHAFT					
13	11013323	CHROM.COFFEE DISPENSER SUPPORT MYB9					
14	12000897	SCREW TCB TORX 10 3,5X20 PLAST.SS					
15	11013072	BLACK SEAL FOR COFFEE DISPENSER MYB9					
16	11013013	BLACK COFFEE DISPENSER TUBE MYB9					
17	12000070	OR METRIC 0060-15 IN SILICONE					
18	12000450	SCREW TCB TORX 10 3,5X12 PLAST.ZN-N					
19	149360200	SILICONE TUBE 5X8 70SR IN ROLL					
20	11013364	BLACK DISPENSER COFF.INLET CONNECT.MYB9					
21	11012926	BLACK COFFEE DISPENSER CONNECTOR MYB9					



PHILIPS

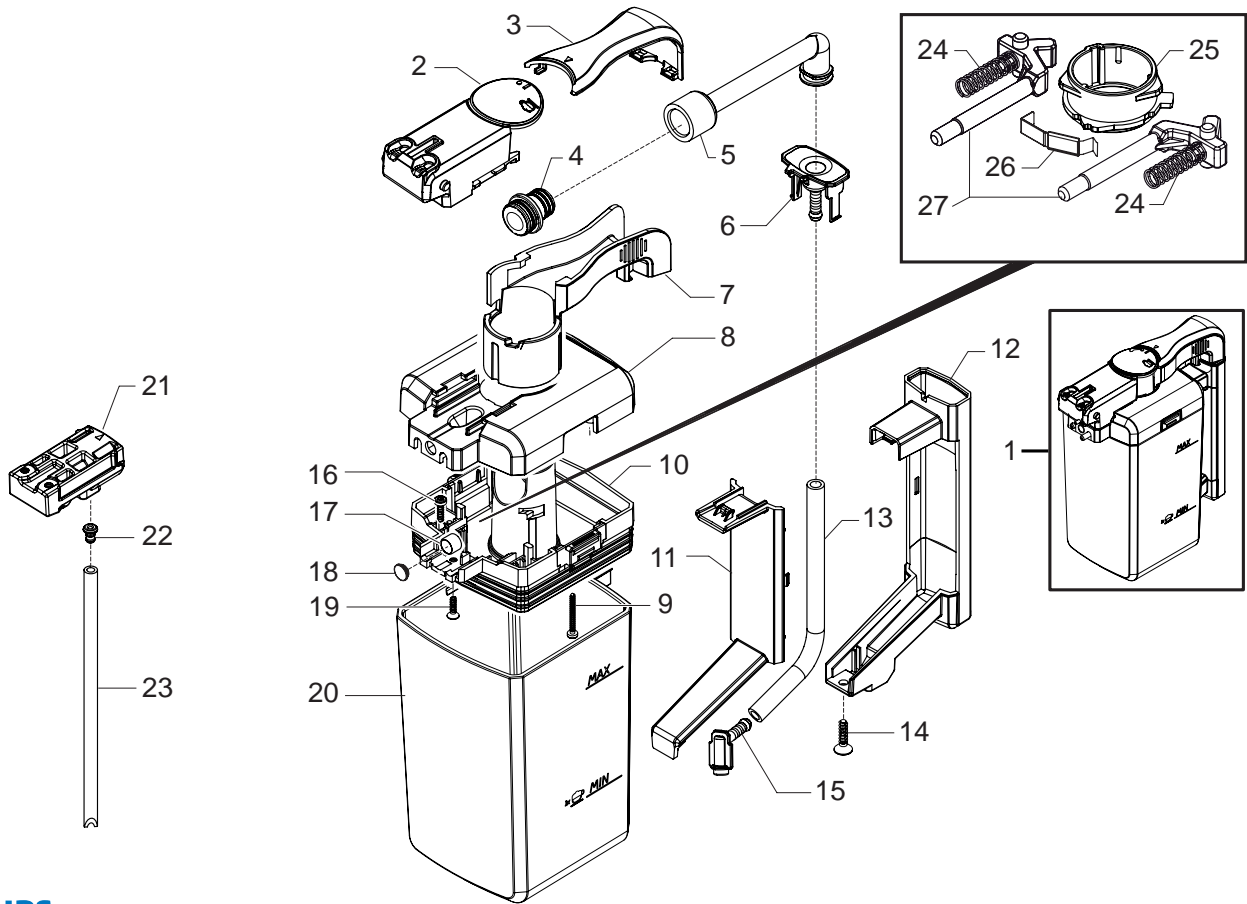
Saeco

HD8943-SUP038-  
HD8944-SUP038Z  
HD8946



Cod.10003311-3312-3313-3315-3562-3563-3564-3565-3566-  
1003567-3568-3569-3570-3571-3572-3573-3576-3577

POS	CODE	DESCRIPTION	NOTE	POS	CODE	DESCRIPTION	NOTE
01	11013212	NATURAL/GREY WATER CONTAINER MYB9 ASSY.					
02	11012738	BLACK HANDLE WATER CONTAINER LID MYB9					
03	140328461	EPDM OR METRIC 0190-10					
04	224640200	EXTERNAL FILTER FOR WATER CONTAINER ASSY					
05	140324362	OR METRIC 0060-30 IN SILICONE					
06	126764718	SS WATER CONTAINER VALVE SPRING					
07	147660562	GREY WATER VALVE CONTAINER PISTON					
08	11022127	NAT/GREY WATER CONTAINER LID S/SCR.MYB9					
09	0701.031.150	SEAL COVER GREY					
10	145842900	WATER CONTAIN.VALVE SEAL GACO DIM14					
11	0701.014.150	SEAL CONTAINER GREY					
12	140320461	OR ORM 0080-20 IN TERMOIL					
13	129535721	SCREW TSP TORX 10 3,5X9,5 SHEET SS					
14	17000022	BLK INSIDE COVER FRON.PANEL V2 S/S.MYB9T					
15	149213059	GREY CAP FOR KNOBS BEAN CONTAINER					
16	129913902	SCREW TCB TORX 10 3X12 PLAST.ZN-B					
17	17000194	BLACK BEAN CONTAINER V2 MYB9					
18	11012852	BLACK GRIND.ADJUSTMENT KNOB MBY9					
19	11022528	WASHER FOR GRIND.ADJUSTMENT KNOB MBY9					
20	145897300	INSERT GRINDING ADJUSTM.KNOB SMART1					
21	11022803	SS DRIP TRAY GRATE V2 MYB9/H-P					
	11022385	SS DRIP TRAY GRATE MYB9/T	ID				
22	17000147	BLACK GRATE SEAL V3 MYB9/H-P					
23	11022802	BLACK DRIP TRAY COVER V2 MYB9/H-P					
	11022384	BLACK DRIP TRAY COVER MYB9/T	ID				
24	11005388	RED FLOAT FOR DRIP TRAY P124					
	17000001	RED FLOAT FOR DRIP TRAY MDS	ID				
25	17800061	5POLES CONNECTOR MC SENSORS V2 MYB9 UL					
26	11013214	SB/SS-BLACK DRIP TRAY MYB9/H-P ASSY.					
	11013281	BLACK/BLACK DRIP TRAY MYB9/H-P ASSY.					
	11013300	WHITE/BLACK DRIP TRAY MYB9/H-P ASSY.					
	11022389	SM/SS-BLACK DRIP TRAY MYB9/T ASSY.	ID				



PHILIPS

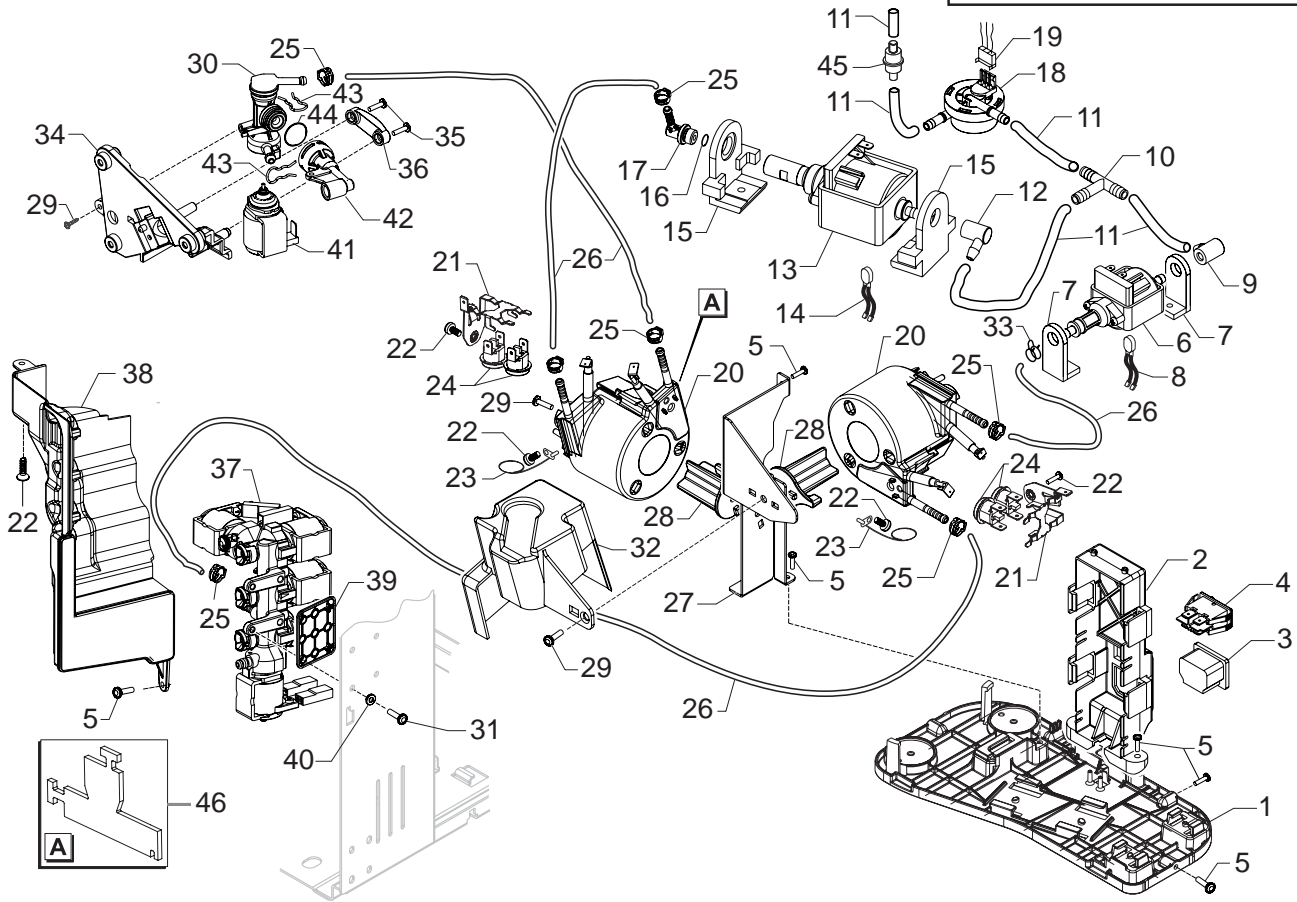
Saeco

HD8943-SUP038-  
HD8944-SUP038Z  
HD8946



Cod.10003311-3312-3313-3315-3562-3563-3564-3565-3566-  
1003567-3568-3569-3570-3571-3572-3573-3576-3577

POS	CODE	DESCRIPTION	NOTE	POS	CODE	DESCRIPTION	NOTE
01	11023077	TRANSP/BLK GEN.CARAFE MYB9/MDS ASSY.					
02	11023235	CHR.CARAFE CAPP.COVER V2 S/SC.MYB9 ASSY.					
03	11022498	CHR.UPPER CARAFE SUPPORT V2 S/SCR.MYB9					
04	11012812	VENTURI TUBE FOR CAPPUCCINATORE MYB9					
05	11012678	BLACK CARAFE MILK DISPENSER TUBE MYB9					
06	11013163	BLACK UPPER TUBE CARAFE CONNECT.MYB9					
07	11022496	CHROM.LOWER CARAFE SUPPORT V2 MYB9					
08	11012816	BLACK UPPER COVER PART CARAFE MYB9					
09	12000550	SCREW TCB TORX 10 3X25 PLAST.SS					
10	11021893	BLACK LOWER COVER PART CARAFE MYB9 ASSY.					
11	11013466	CHROMED REAR PART HILT CARAFE MYB9					
12	11023158	CHROMED FRONT PART HILT CARAFE V2 MYB9					
13	149360200	SILICONE TUBE 5X8 70SR IN ROLL					
14	129911721	SCREW TSP TORX 4X16 PLAST STEEL					
15	11013164	BLACK LOWER TUBE CARAFE CONNECT.MYB9					
16	129910921	SCREW TCB TORX 10 3X10 SS					
17	9161.111	MAGNET FOR FLOAT SUPERAUTOM.					
18	11014016	SS.INSERT FOR MAGNET MYB9					
19	12000895	SCREW TSP TORX 10 3X10 PLAST.SS					
20	11024104	TRANSP.CARAFE V3 S/SCREEN MYB9					
21	17000004	BLK CARAFE CAPPUCCIN.CASING W/CAPS MYB9					
22	11012813	BLACK MILK TUBE CONNECTOR MYB9					
23	11012814	SILICONE TUBE 3,5X6 L=140 MM					
24	11013765	STEEL SPRING FOR CARAFE LEVER MYB9					
25	11022522	BLACK CAM FOR CARAFE LEVERS V2 MYB9					
26	11013832	CARAFE SPRING WITH INSERT MYB9 ASSY.					
27	17000131	BLACK LEVER FOR CARAFE CAM V3 MYB9					



PHILIPS

Saeco

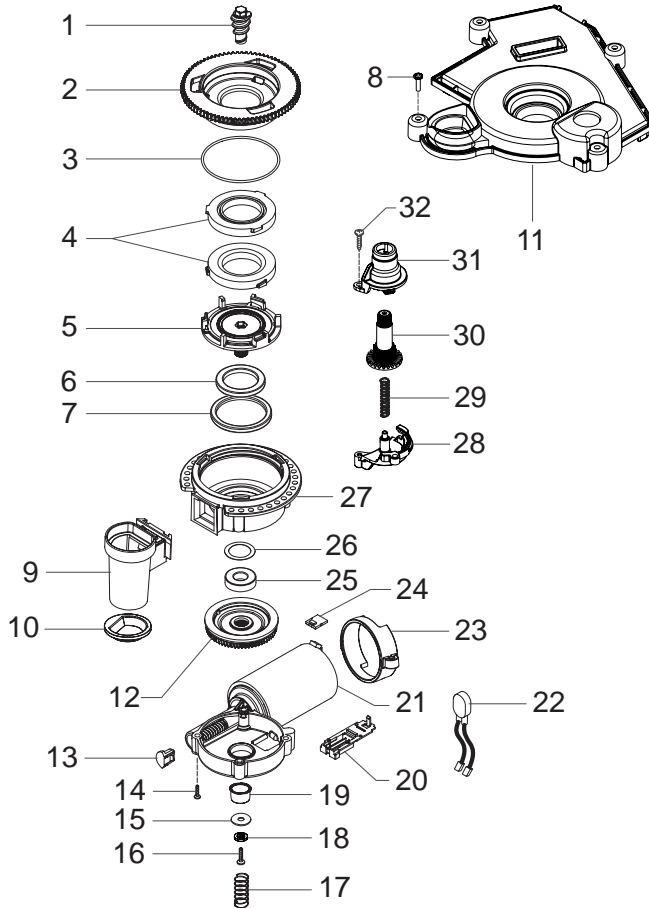
HD8943-SUP038-  
HD8944-SUP038Z  
HD8946



Cod.10003311-3312-3313-3315-3562-3563-3564-3565-3566-  
1003567-3568-3569-3570-3571-3572-3573-3576-3577

POS	CODE	DESCRIPTION	NOTE	POS	CODE	DESCRIPTION	NOTE
01	11012205	BLACK COMPONENTS SUPPORT MYB9		38	11013528	BLACK DIFFUSER PROTECT.VALVE MYB9 ASSY.	
02	11012412	BLACK SOCKET-SWITCH SUPPORT MYB9		39	11021841	SOLENOID VALVE CONNECT.INSUL.PLATE MYB9	
	11023406	BLACK SOCKET-SWITCH SUPPORT MYB9 UL		40	11021842	SOLENOID VALVE CONNECT.INSUL.WASHER MYB9	
03	12000280	CUP SOCKET EN 60320 C 13		41	20000590	BLOWDOWN VALVE COIL P0049 ASSY.	230V
04	NE03.038	BIPOLAR SWITCH FUSIT C1250AR			20000680	BLOWDOWN VALVE COIL P0049 ASSY.	120V
05	12000450	SCREW TCBR TORX 10 3,5X12 PLAST.ZN-N			20000920	BLOWDOWN VALVE COIL P0049 ASSY.	220V-60HZ
06	12001212	ULKA PUMP MF	230V-50HZ	42	11007565	BLOWDOWN VALVE CONNECTOR V2 P0049	
	12001346	ULKA PUMP MF	120V-60HZ	43	11005096	FORK SPRING FOR VALVE P0049	
	12001348	ULKA PUMP MF	220V-50/60HZ	44	12000620	OR ORM 0130-20 IN EPDM	
07	11012194	BLACK ULKA MF PUMP SUPPORT		45	144650300	ASPIRATION FILTER GAUZE NET 500 (NEW)	
08	11013116	2POLES CONNECTOR STEAM PUMP MYB9 UL		46	11021450	TUB.BOILER STD C1 INSULATING	
09	11012193	90° INLET CONNECTOR FOR PUMP ULKA MF			11006995	V2 BLOWDOWN VALVE MYB9 230V ASSY.	
10	147920300	TEE CONNECTOR D=8 ART.80.26.047 KA.461			11022038	V2 BLOWDOWN VALVE MYB9 120V ASSY.	
11	JS01.022	SILICONE TUBE 5X10 60 SHORE	IN ROLL		11021989	V2 BLOWDOWN VALVE MYB9 220V-60HZ ASSY. WITH PART. N° 30-41-42-43-44	
12	147920150	90° INLET PUMP CONNECTOR			11009776	TUB.BOILER STD C1 1300W 230V ASSY.	
13	12000140	ULKA PUMP EP5/S GW	230V-50HZ		11009778	TUB.BOILER STD C1 1300W 120V ASSY. WITH PART. N° 20-21-22-23-24	
	12000142	ULKA PUMP EAP5/S	120V-60HZ				
	12000182	ULKA PUMP EP5/S GW	220V-60HZ				
14	11013076	2POLES CONNECTOR COFFEE PUMP MYB9 UL					
15	11022857	BLACK PUMP SUPPORT GMYB					
16	140321961	OR 2031 IN TERMOIL					
17	11001054	90°CONNECTOR PUMP OUTLET P0049/B					
18	12000781	TURBINE D=1,2 932-8521/90 ASSY.					
19	11013122	6POLES CONNECTOR FLOWMETER MYB9 UL					
20	11011341	V4 TUB.BOILER ASSY.	230V 1300W				
	11011342	V4 TUB.BOILER ASSY.	120V 1300W				
21	11010164	THERMOSTATES SPRING FOR BOILER					
22	129573202	SCREW TCB TORX 20 M4X8 AUTOFORMING ZN-B					
23	190800100	TEMPERATURE SENSOR NTC UL L=280MM					
24	12001034	THERMOSTAT ONE SHOT 175°					
25	12000892	OETIKER CLAMP D=9,5 16700004					
26	16000380	5X8,9 SILICONE TUBE	IN ROLL				
27	11013034	STEEL TUB.BOILER SUPPORT MYB9					
28	11012214	BLACK TUB.BOILERS SUPPORT MYB9					
29	12001280	SCREW TSP TORX 10 5X20 PLAST.ZN-B					
30	20006558	BLOWDOWN VALVE CASING MYB9 ASSY.					
31	129914302	SCREW TORX M4X10 TESTA D=8X1,5 GALV					
32	11022428	BLK COFFEE BOILER INSULATING COVER MYB9					
33	184320200	SPRING HOSE CLAMP D=9,5MM					
34	11012206	BLACK BLOWDOWN VALVE SUPPORT MYB9					
35	129913902	SCREW TCB TORX 10 3X12 PLAST.ZN-B					
36	11013711	BLACK VALVE FIXING FLANGE MYB9					
37	11013165	DIFFUSER VALVE MYB9 ASSY.					





PHILIPS

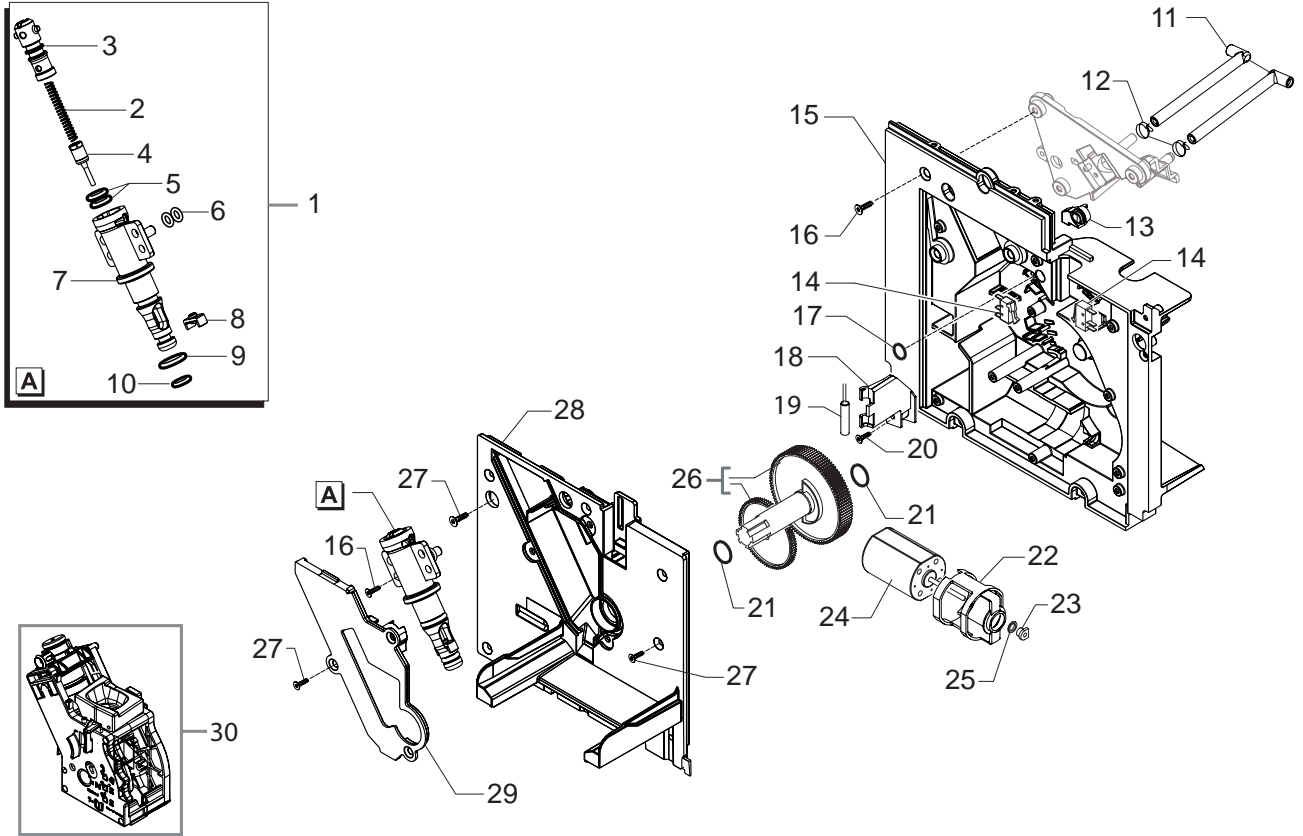
Saeco

HD8943-SUP038-  
HD8944-SUP038Z  
HD8946



Cod.10003311-3312-3313-3315-3562-3563-3564-3565-3566-  
1003567-3568-3569-3570-3571-3572-3573-3576-3577

POS	CODE	DESCRIPTION	NOTE	POS	CODE	DESCRIPTION	NOTE
01	11011205	TEA ZAMA INCREASE SCREW GRINDER					
02	149198250	UPPER GRINDER SUPPORT COFFEEGRINDER					
03	140328960	NBR FDA OR METRIC 0530-15					
04	146520100	BAKED CLAY GRINDER 48X28					
05	149198350	LOWER GRINDER SUPPORT COFFEEGRINDER					
06	123030300	AXIAL BEARING EKKO 342.35252					
07	140360500	FELT RING 45,4X39,4X4					
08	12000450	SCREW TCB TORX 10 3,5X12 PLAST.ZN-N					
09	11012564	GROUND COFFEE OUTLET CONVEYOR V2 ASSY.					
10	145854462	GROUND COFFEE CONT.SEAL LOWER SMART1					
11	11012856	SOUNDPROOFING COVER FOR COF.GRINDER MYB9					
12	226000300	GEAR SX Z=38 FOR GRINDER MOTION ASSY.					
13	149214800	CAP FOR WORM SCREW MC/V3 CENTRING					
14	129661702	SCREW TCB TORX 3,5X30 PLAST.ZN-B					
15	128381902	GALVAN.FLAT WASH.DI=4,3 DE=14 SP=1,5					
16	129574802	SCREW TCB TORX 20 M4X30 ZN-B					
17	11000597	COFFEE GRINDER SUPPORT SPRING P124					
18	128310402	GALV.WASHER UNI 8842 A4					
19	11002873	INSULATOR BUSH FOR GRINDER MOTOR P124					
20	149199050	SENSOR SUPPORT FOR COFF.GRIND.MOTOR					
21	11000513	MOTOR COFFEEGRINDER/V3.1 ASSY.	230V				
	11000511	MOTOR COFFEEGRINDER/V3.1 ASSY.	120V				
22	11013079	2POLES CONNECTOR GRINDER MOTOR MYB9 UL					
23	11000194	BLACK GRINDER MOTOR SUPPORT P124					
24	181540900	ELECTRONIC BOARD WITH SENSOR HAL506					
25	123030200	RADIAL BEARING 61900.2RS1					
26	128381800	CRINKLE WASHER 21,8X15,8X0.2					
27	142905450	UPPER BODY WITH COFFE.GROUND OUTLET					
28	149199850	LOWER GEAR SUPPORT COFFEEGRINDER SMART					
29	126772918	SPRING FOR ADJUSTMENT GRINDING GEAR					
30	146002150	COFFEE GRINDING ADJUSTMENT GEAR SMART					
31	149199750	UPPER GEAR SUPPORT COFFEEGRINDER SMART					
32	129914002	SCREW TCB TORX 10 3,5X16 PLAST.ZN-B					
	11013147	GENERAL MOTOR MC MYB9 ASSY.	230V				
	11022036	GENERAL MOTOR MC MYB9 ASSY.	120V				



PHILIPS

Saeco

HD8943-SUP038-  
HD8944-SUP038Z  
HD8946



Cod.10003311-3312-3313-3315-3562-3563-3564-3565-3566-  
1003567-3568-3569-3570-3571-3572-3573-3576-3577

POS	CODE	DESCRIPTION	NOTE	POS	CODE	DESCRIPTION	NOTE
01	11005060	PIN V2 FOR BOILER P119 ASSY.					
02	9011.132	SPRING FOR PIN					
03	11003820	CAP V2 FOR PIN BOILER P119					
04	11009019	TEA/BRASS PISTON L=20,9 ASSY.					
05	140324459	OR ORM 0060-20 IN SILICONE PTFE/FDA					
06	140328059	OR 2015 IN SILICONE PTFE/FDA					
07	11003801	NATURAL PIN V2 FOR BOILER P119					
08	11005099	NATURAL CURSOR V2 FOR BOILER P119					
09	NM01.035	OR ORM 0090-20 SILICONE					
10	NM01.057	OR ORM 0050-20 IN SILICONE					
11	11012337	WATER DRAIN CONNECTOR MYB9					
12	NV99.087	BAND D=11/11,6					
13	11013514	BLACK COVER MOUNTING PLATE SEAL MYB9					
14	NE05.038	MICROSWITCH					
15	227533550	BLACK MOUNTING PLATE WITH PIN P119 ASSY.					
16	12000450	SCREW TCB TORX 10 3,5X12 PLAST.ZN-N					
17	140325462	OR METRIC 0070-20 IN SILICONE					
18	11012976	BLACK SENSOR SUPPORT MYB9					
19	11003661	REED SENSOR MK3-1A66-BV16451					
20	129913902	SCREW TCB TORX 10 3X12 PLAST.ZN-B					
21	9161.132	MYLAR WASHER FOR RATIOMOTOR					
22	9121.044	ANTIVIBRATION FOR MOTOR					
23	9121.046	SINTERED BUSH FOR MOTOR					
24	11003037	MOTOR FOR RATIOMOTOR ASSY.					
25	148380200	WASHER BAKELIZZATE D=5,5					
26	20000900	SPARES KIT GEARS FOR RATIOMOTOR V2					
27	129914102	SCREW TSP TORX 10 3,5X12 PLAST.ZN-B					
28	11013513	BLACK COVER MOUNTING PLATE MYB9					
29	142856550	BLACK COVER FOR VAIN BOILER P119					
30	11012810	BLACK BREW UNIT 8GR.SBS MYB9 SEE COD. EXPL. E90071					