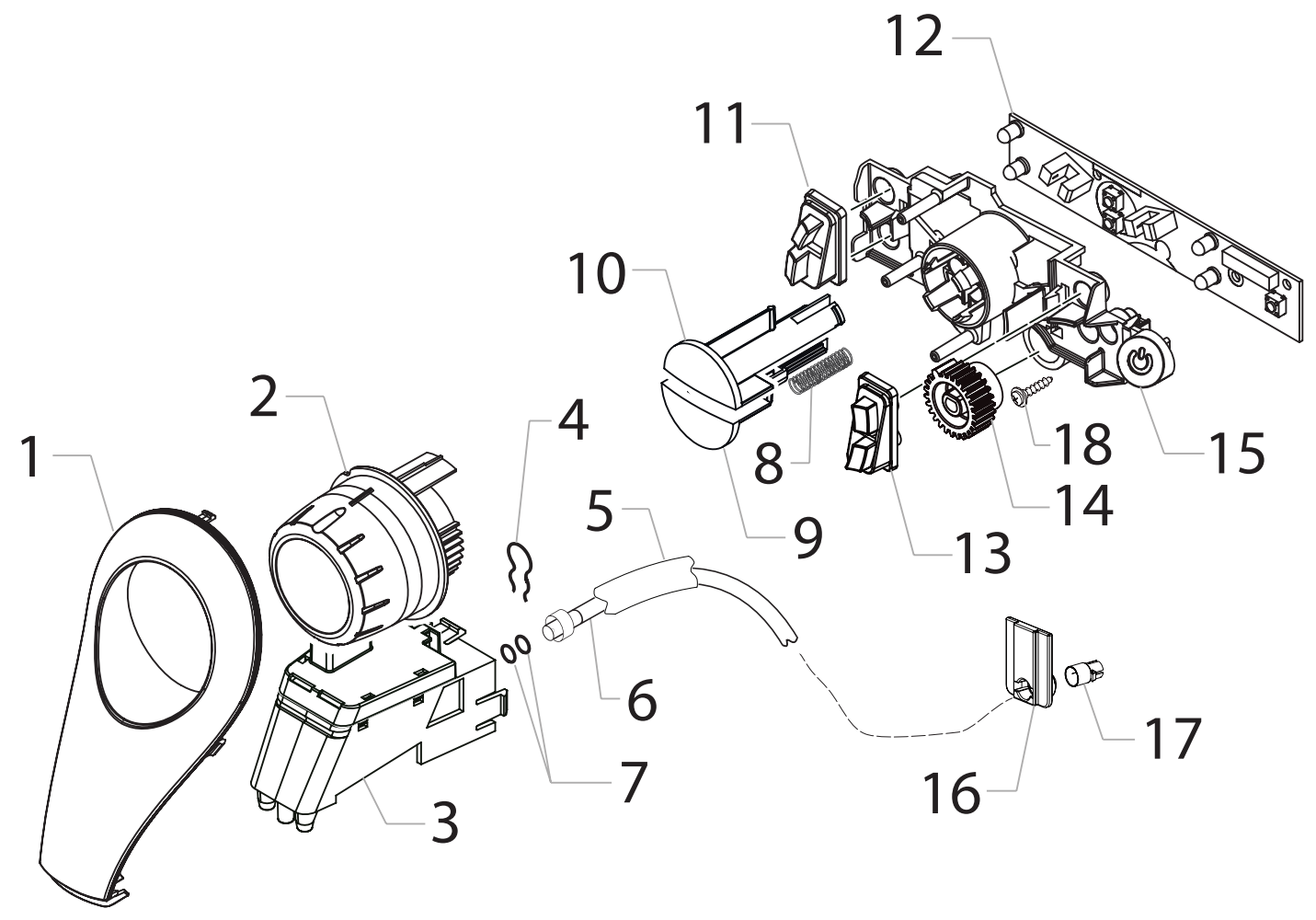


**E74159****HD8743, HD8745, HD8747**

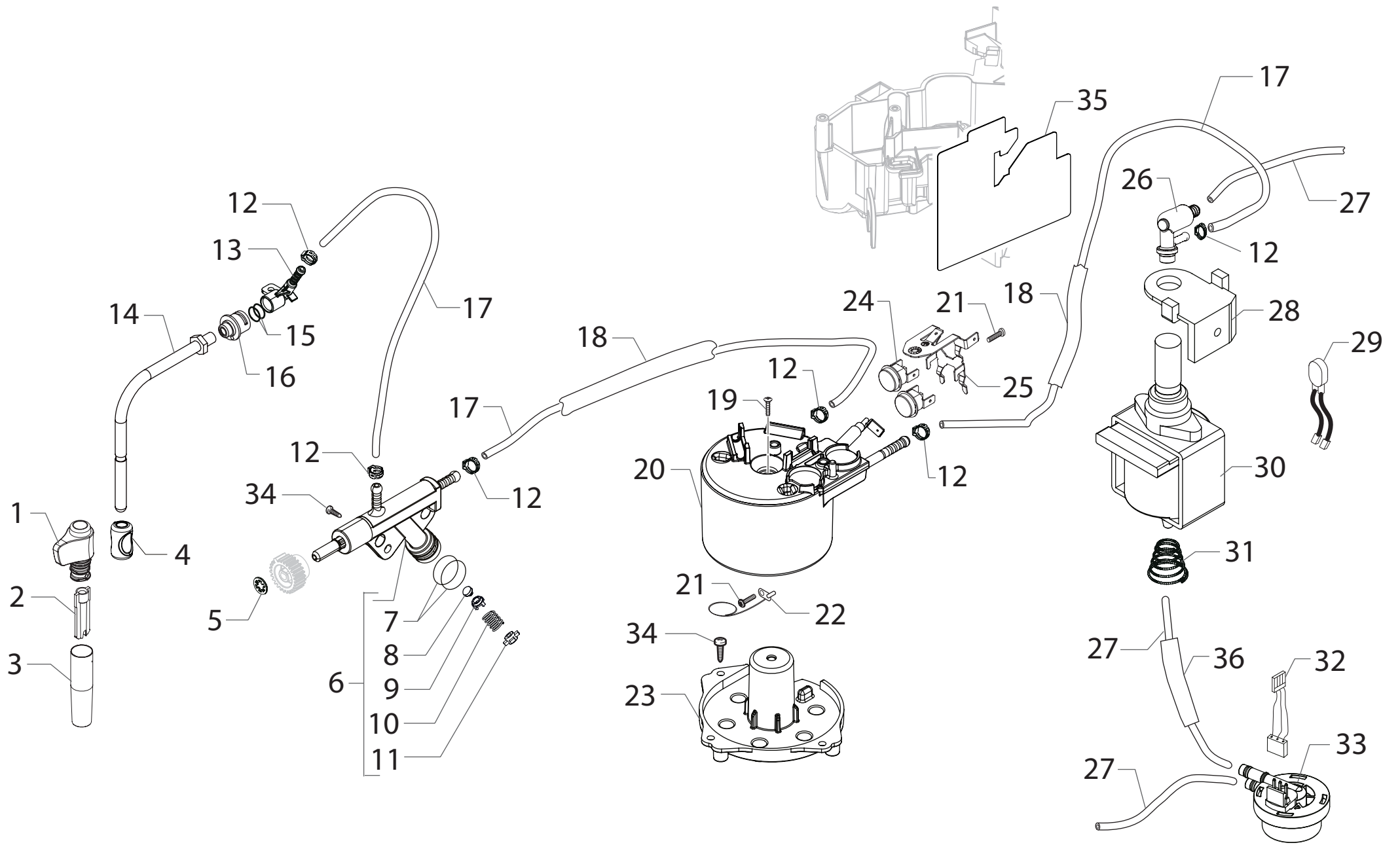
Pos	Article-Nr.	Description	Pos	Article-Nr.	Description
1	11005044	SAECO KLUBER TRIBOSTAR SIL 2 TUBE 5GR.	16	11023622	GMS UPPER COVER CASING CAP P0057
2	15002551	MANUAL PSA P0057 IT	16	11021366	BLACK UPPER COVER CASING CAP P0057
2	15002552	MANUAL PSA P0057 GB	16	11010038	SILVER UPPER COVER CASING CAP P0057
2	15002553	MANUAL PSA P0057 DE	17	11024470	ADHES.SILVER PLATE LOGO V2 XSMALL
2	15002554	MANUAL PSA P0057 FR	18	11025585	VANILLA LEFT SIDE COVER P0057
2	15002555	MANUAL PSA P0057 ES	18	11023619	GMS LEFT SIDE COVER P0057
2	15002556	MANUAL PSA P0057 PT	18	11006068	WHITE LEFT SIDE COVER P0057
2	15002557	MANUAL PSA P0057 NL	18	11004127	BLACK LEFT SIDE COVER P0057
2	15002558	MANUAL PSA P0057 SV	19	11014220	BLACK CASING BOTTOM INSERT V2 P0057
2	15002559	MANUAL PSA P0057 NO	20	11012695	BLACK CASING BOTTOM V2 P0057
2	15002560	MANUAL PSA P0057 FI	21	11014307	BLACK LOWER FRONT INSERT P0057
2	15002561	MANUAL PSA P0057 DA	21	11004106	SILVER LOWER FRONT INSERT P0057
2	15002562	MANUAL PSA P0057 GR	21	11023615	GMS LOWER FRONT INSERT P0057
2	15002563	MANUAL PSA P0057 PL	22	11023613	GMS GRATE FOR DRIP TRAY P0057
2	15002564	MANUAL PSA P0057 RU	22	11005727	SILVER GRATE FOR DRIP TRAY P0057
2	15002565	MANUAL PSA P0057 HU	23	11013184	RED FLOAT FOR DRIP TRAY XSM
2	15002566	MANUAL PSA P0057 CS	24	11012694	BLACK DRIP TRAY V2 P0057
2	15002567	MANUAL PSA P0057 SK	24	11023611	GMS DRIP TRAY V2 P0057
2	15002568	MANUAL PSA P0057 UA	25	11004123	NAT/GREY BEAN COFFEE CONTAINER LID P0057
2	15002569	MANUAL PSA P0057 SL	26	12000450	SCREW TCBR TORX 10 3,5X12 PLAST.ZN-N
2	15002570	MANUAL PSA P0057 RO	27	11004125	NAT/GREY BEAN COFFEE CONTAINER P0057
2	15002571	MANUAL PSA P0057 CR	28	17000141	TRANSP.COVER INFRAREDS ACCESS P0057
2	15002572	MANUAL PSA P0057 BG	29	11014221	BLACK COFFEE GRINDER PLATE V2 P0057
2	15002573	MANUAL PSA P0057 SR	30	12000280	CUP SOCKET EN 60320 C 13
2	15002574	MANUAL PSA P0057 CHN	31	11023616	GMS DUMP BOX P0057
2	15002575	MANUAL PSA P0057 KOR	31	11014308	BLACK DUMP BOX P0057
2	15002576	MANUAL PSA P0057 TWN	31	11004105	SILVER DUMP BOX P0057
2	15002738		32	147622800	TRANSPARENT SILICONE FOOT
3	11012301	BLACK PWR/CPU BOARD PROTECTION P0057	33	11004122	BLACK DOOR P0057
4	11001985	BLACK POWER CABLE KOREA 3X1 L=1200	33	11004130	WHITE DOOR P0057
4	11004246	BLACK POWER CABLE TAIWAN HVCTF L=1200	33	11023618	GMS DOOR P0057
4	11004247	BLACK POWER CABLE RVV 3X1 CHINA L=1200	33	11025586	VANILLA DOOR P0057
4	183911050	BLACK POWER CABLE SCHUKO L=1200	34	11004139	BLACK HINGE FOR DOOR P0057
4	183930650	POWER CABLE CH BLACK 3X1 H05VV-F L=1200	35	11021357	CPU+SW P0057 XSMALL V2 120V ASSY.
4	183940650	BLACK POWER CABLE AUSTRALIA L=1200	35	11022509	CPU+SW P0057 XSMALL V4 230V ASSY.
4	183970350	BLK POWER CABLE 3X1 H05VV-F UK L=1200MM	36	11012102	ADHESIVE AERSTOP SP=1,6 MM P0057
5	11003785	BLACK GRINDER ADJUSTMENT KEY P0049	37	20006888	KIT TYPE "A" PS-E INSERT FOR BOX P0057
6	11005756	SILVER WATER CONTAINER FRONT COVER P0057	38	129913202	SCREW TCB TORX 10 3X8 PLAST.ZN-B
6	11014306	BLACK WATER CONTAINER FRONT COVER P0057	39	13001282	DISPLAY BOX PSA XSMALL CL WE
6	11023610	GMS WATER CONTAINER FRONT COVER P0057	39	13001283	DISPLAY BOX PSA XSMALL CL CEE
7	11006058	NAT/GREY WATER CONTAINER P0057 ASSY.	39	13001284	DISPLAY BOX PSA XSMALL ST WE
8	224640200	WHITE WATER CONTAINER EXT.FILTER ASSY.	39	13001285	DISPLAY BOX PSA XSMALL ST CEE
9	140328461	EPDM OR METRIC 0190-10	40	NE05.013	MICROSWITCH SAIA XGK52-81-J23
10	11003672	SS SPRING FOR WATER CONTAIN.VALVE P0049	41	128382002	FLAT WASH.DI=3,7 DE=11 SP=0,8 GALV.
11	11003673	GREY WATER CONTAINER VALVE INSERT P0049	42	11013709	3POLES CONNECTOR WATER LEVEL XSM UL
12	11003671	TRANSP.VALVE FOR WATER CONTAINER P0049	43	11000651	WATER LEVEL SENSOR BOARD P124
13	11001298	BLACK LID FOR DUCKBILL VALVE P0049	44	17000064	BLK CAPACIT.SENSOR DEADLOCK INSERT XSM
14	11021331	BLACK UPPER COVER CASING V2 S/SCR.P0057			
14	11014225	SILVER UPPER COVER CASING V2 S/SCR.P0057			
14	11023620	GMS UPPER COVER CASING V2 S/SCR.P0057			
15	11025026	ADHES.SILVER PLATE LOGO PHILIPS-SAECO			



**E74159****HD8743, HD8745, HD8747**

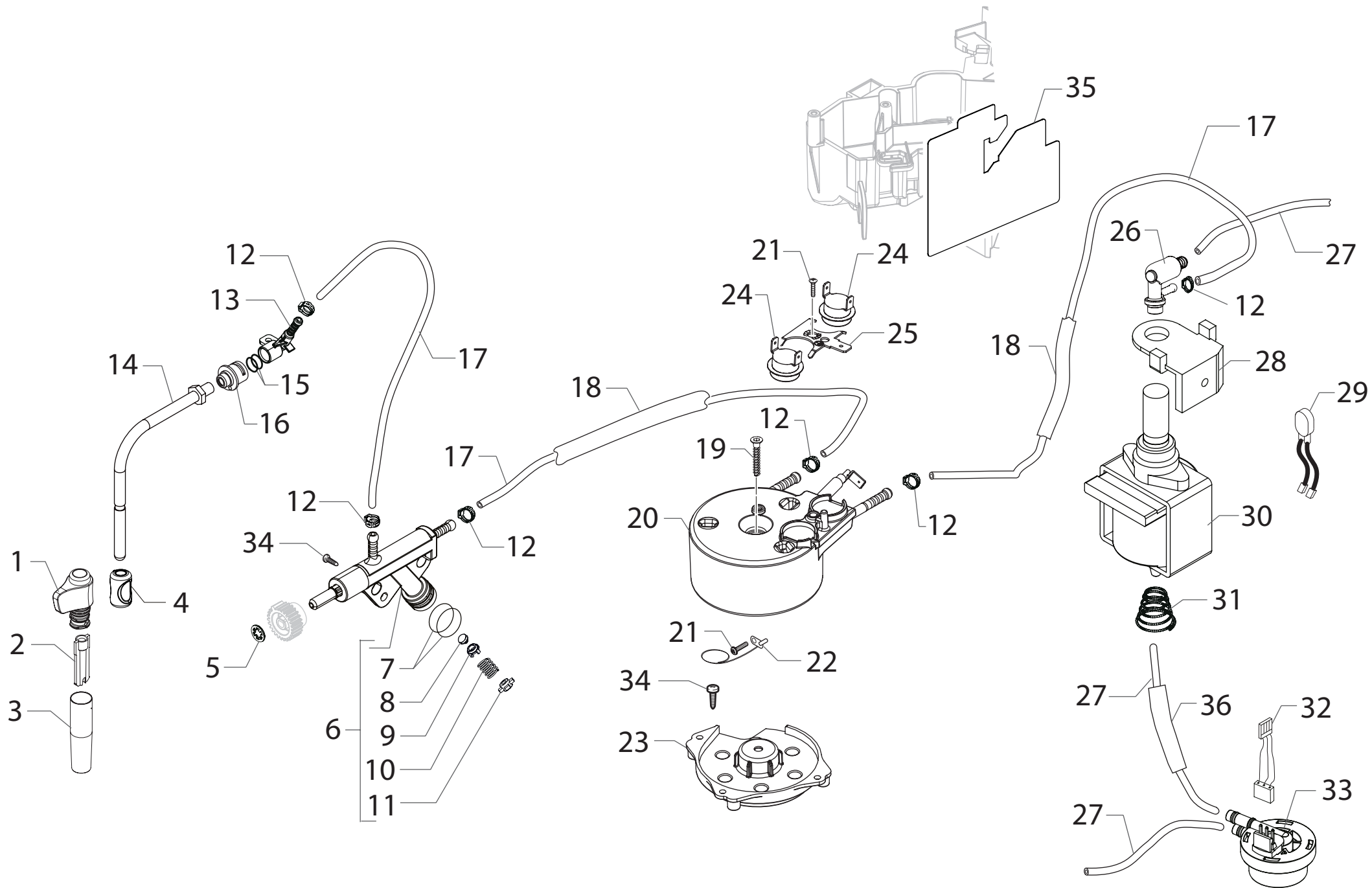
Pos	Article-Nr.	Description
1	11021332	BLACK CONTROL KNOB COVER S/SCR.NEW P0057
2	11021458	BLACK CONTROL KNOB V2 S/SCR.P0057
3	11011280	BLACK COFFEE DISPENSER P0057 ASSY.
4	9011.144	SS FORK FOR TUBE D=4
5	149361200	BLACK SILICONE TUBE 7,5X9,3 IN ROLL
6	11004132	TEFLON TUBE 2X4 L=250 MM ASSY.
7	140328059	OR 2015 IN SILICONE PTFE/FDA
8	11008956	SS DOOR LOCK SPRING G0053
9	11010035	BLACK BIG CUP COFFEE BUTTON P0057
10	11006064	BLACK SMALL CUP COFFEE BUTTON P0057
11	11014222	TRANSP.LEFT GUIDE LIGHT V2 P0057
12	11014180	KEYBOARD P0057 XSMALL V1
13	11013012	TRANSP/PMMA RIGHT GUIDE LIGHT P0057
14	11004120	BLACK STEAM/WATER GEAR Z=26 P0057
15	11014229	SILVER TOUCH PANEL V3 P0057/B-C
15	11023612	GMS TOUCH PANEL V3 P0057/B-C
16	11005100	PLATE FOR 4X2 TEFLON TUBE P124
17	11005101	BUSH FOR 4X2 TEFLON TUBE P124
18	12000450	SCREW TCBR TORX 10 3,5X12 PLAST.ZN-N

Pos	Article-Nr.	Description
-----	-------------	-------------



**E74159****HD8743, HD8745, HD8747**

Pos	Article-Nr.	Description	Pos	Article-Nr.	Description
1	11007194	BLACK STEAM TUBE HANDGRIP G0053			
2	11001620	BLACK PANNARELLO INNER TUBE P0049			
3	11001769	BLACK PANNARELLO COVER P0049			
4	11008991	BLACK STEAM TUBE HANDGRIP P604			
5	128210600	ELASTIC WASHER FOR SHAFT D=6MM			
6	11012381	FLOW SELECTOR FAUCET V2 P0057			
7	12000893	BLACK OR METRIC 0120-20 IN EPDM			
8	11008104	MUSHROOM VALVE FOR FLOW SELECTOR P0057			
9	11008105	FLOW SELECTOR VALVE SUPPORT P0057			
10	11008077	STEEL FLOW SELECTOR VALVE SPRING P0057			
11	11008106	FLOW SELECTOR VALVE CAP P0057			
12	12000892	OETIKER CLAMP D=9,5 16700004			
13	11005757	STEAM TUBE SUPPORT P0057			
14	11012972	TF/CHROM.STEAM TUBE V2 P0057 ASSY.			
15	140324461	OR ORM 0060-20 IN TERMOIL			
16	11011127	BLACK PA6 BUSH FOR STEAM TUBE P0057			
17	16000380	5X8,9 SILICONE TUBE IN ROLL			
18	16000540	TRANSPAR.10,5X12,3 SILICONE TUBE IN ROLL			
19	129932502	SCREW TSP 5X30 PLAST.ZN-B			
20	11011342	V4 TUB.BOILER 1300W 120V ASSY.			
21	129573202	SCREW TCB TORX 20 M4X8 AUTOFORMING ZN-B			
22	190800100	TEMPERATURE SENSOR NTC UL L=280MM			
23	11003752	BLACK BOILER SUPPORT P0057			
24	12001034	THERMOSTAT ONE SHOT 175°			
25	11010164	TUB.BOILER V6 SIDE THERMOSTATES SPRING			
26	11004689	TEA/BRASS SAFETY VALVE 16-18 BAR ASSY.			
27	JS01.022	SILICONE TUBE 5X10 60SH IN ROLL			
28	149205850	BLACK PUMP SUPPORT TYPE ULKA			
29	11009747	2POLES CONNECTOR PUMP P0057 UL			
30	12000142	ULKA PUMP EAP5/S 120V-60HZ			
31	11004220	PUMP SUPPORT SPRING P0057			
32	11005948	3POLES CONNECTOR FLOWMETER P0057			
33	NV99.099	TURBINE D=1,2 932-8521/00 ASSY.			
34	12000450	SCREW TCB TORX 10 3,5X12 PLAST.ZN-N			
35	11012323	NOMEX PROTECTION FOR POWER BOARD P0057			
36	16000926				
100	11009778	TUB.BOILER STD C1 1300W 120V ASSY.			

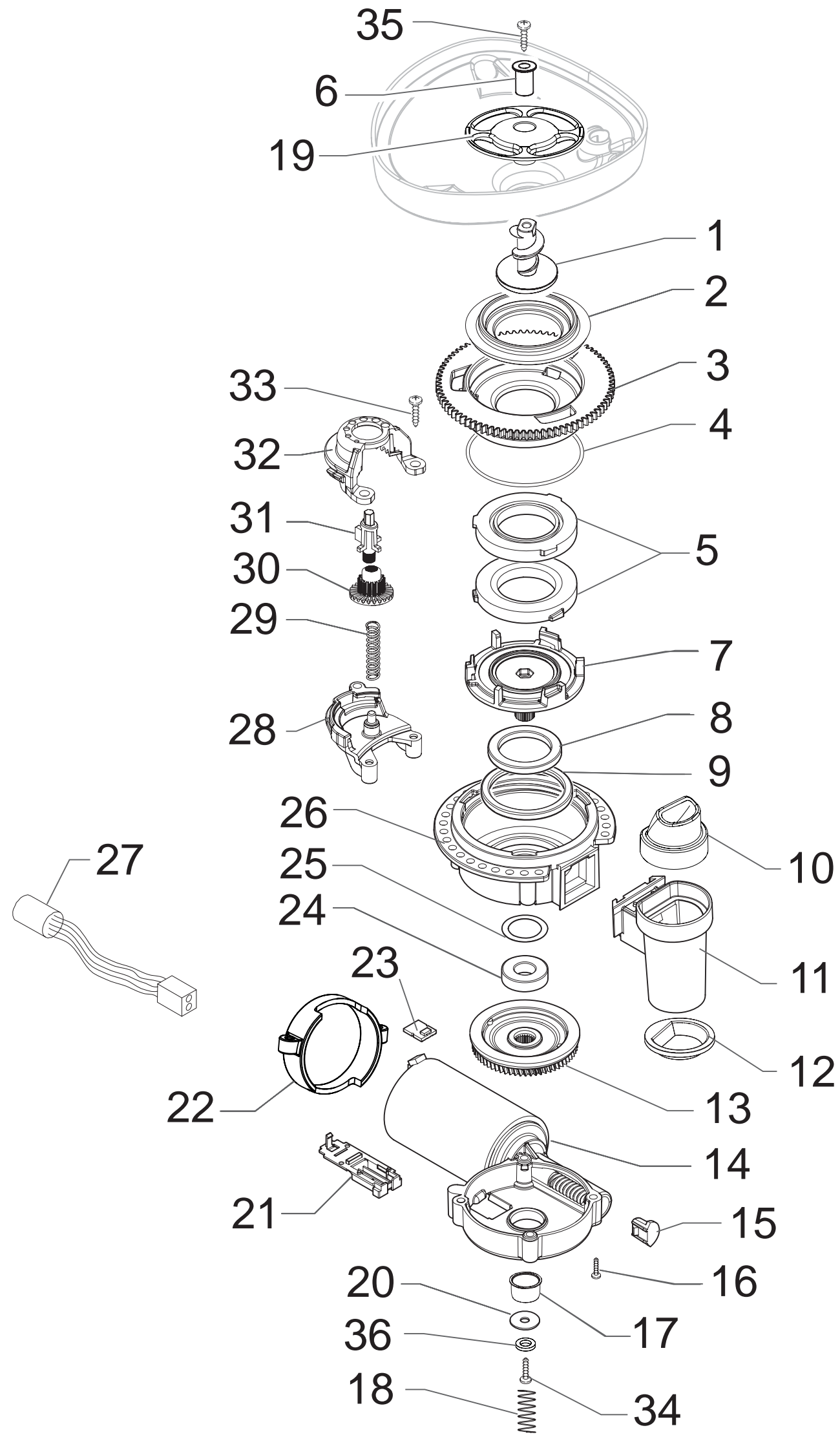


**E74159****HD8743, HD8745, HD8747**

Pos	Article-Nr.	Description
1	11007194	BLACK STEAM TUBE HANDGRIP G0053
2	11001620	BLACK PANNARELLO INNER TUBE P0049
3	11011504	TF/CHROM.PANNARELLO COVER P0049
4	11008991	BLACK STEAM TUBE HANDGRIP P604
5	128210600	ELASTIC WASHER FOR SHAFT D=6MM
6	11012381	FLOW SELECTOR FAUCET V2 P0057
7	12000893	BLACK OR METRIC 0120-20 IN EPDM
8	11008104	MUSHROOM VALVE FOR FLOW SELECTOR P0057
9	11008105	FLOW SELECTOR VALVE SUPPORT P0057
10	11008077	STEEL FLOW SELECTOR VALVE SPRING P0057
11	11008106	FLOW SELECTOR VALVE CAP P0057
12	12000892	OETIKER CLAMP D=9,5 16700004
13	11005757	STEAM TUBE SUPPORT P0057
14	11012972	TF/CHROM.STEAM TUBE V2 P0057 ASSY.
15	140324461	OR ORM 0060-20 IN TERMOIL
16	11011127	BLACK PA6 BUSH FOR STEAM TUBE P0057
17	16000380	5X8,9 SILICONE TUBE IN ROLL
18	16000540	TRANSPAR.10,5X12,3 SILICONE TUBE IN ROLL
19	12001369	SCREW TSP TORX 10 5X35 PLAST.SS
20	11013735	SLIM TUB.BOILER 1300W 230V ASSY.
21	129573202	SCREW TCB TORX 20 M4X8 AUTOFORMING ZN-B
22	190800100	TEMPERATURE SENSOR NTC UL L=280MM
23	11022791	BLACK SLIM/EXSL TUB.BOILER SUPPORT
24	12001034	THERMOSTAT ONE SHOT 175°
25	11001751	TUB.BOILER V3 UPPER THERMOSTATES SPRING
26	11004689	TEA/BRASS SAFETY VALVE 16-18 BAR ASSY.
27	JS01.022	SILICONE TUBE 5X10 60SH IN ROLL
28	149205850	BLACK PUMP SUPPORT TYPE ULKA
29	11009747	2POLES CONNECTOR PUMP P0057 UL
30	12000140	ULKA PUMP EP5/S GW 230V-50HZ
30	12000182	ULKA PUMP EP5/S GW 220V-60HZ
31	11004220	PUMP SUPPORT SPRING P0057
32	11005948	3POLES CONNECTOR FLOWMETER P0057
33	NV99.099	TURBINE D=1,2 932-8521/00 ASSY.
34	12000450	SCREW TCB TORX 10 3,5X12 PLAST.ZN-N
35	11012323	NOMEX PROTECTION FOR POWER BOARD P0057
36	16000926	
100	11022393	SLIM TUB.BOILER STD C1 1300W 230V ASSY.

Pos	Article-Nr.	Description
-----	-------------	-------------

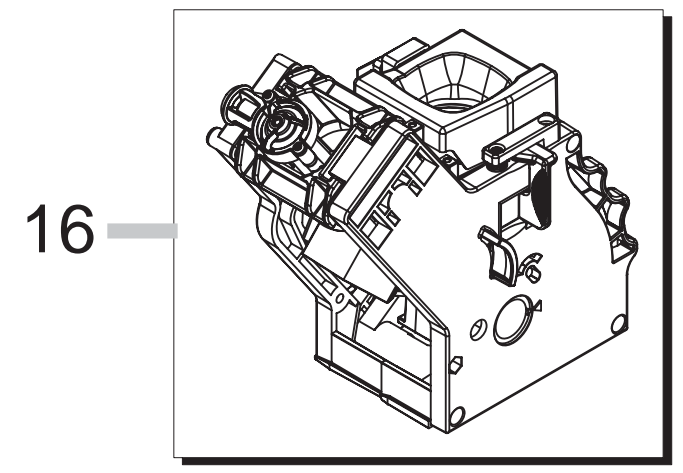
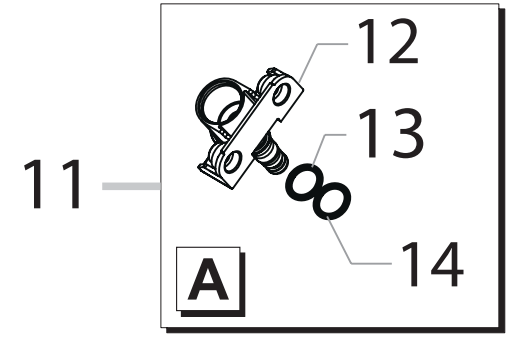
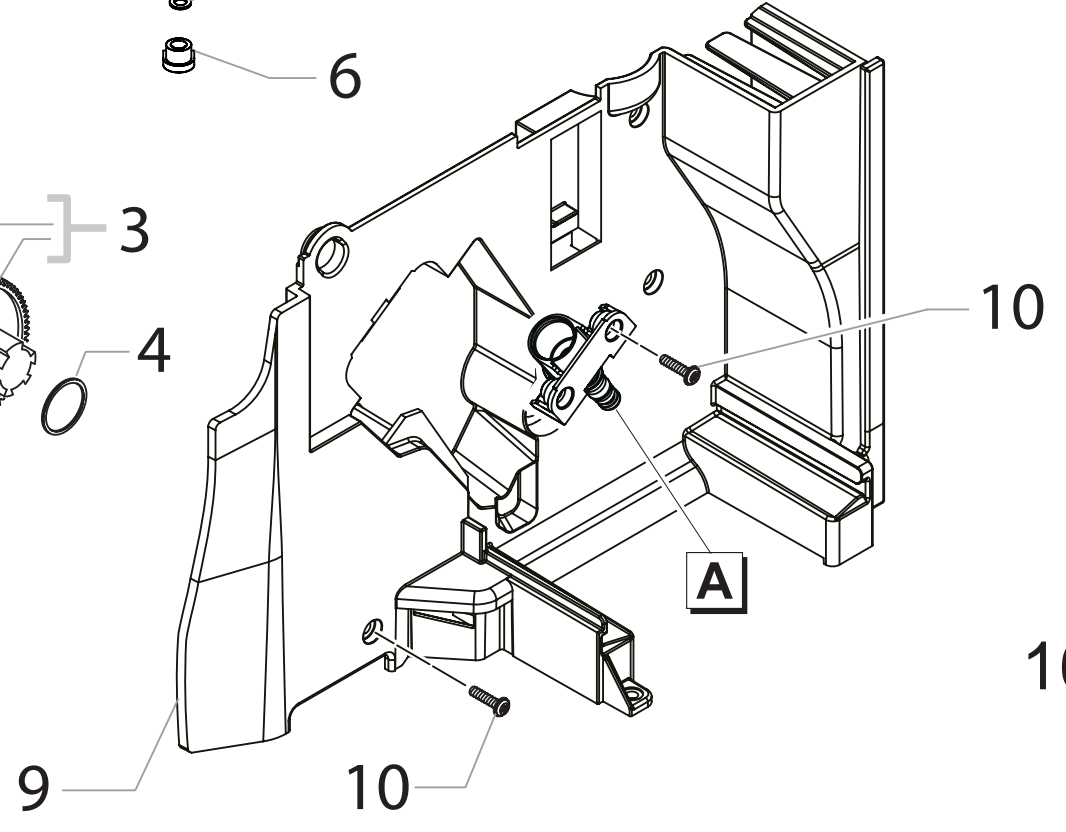
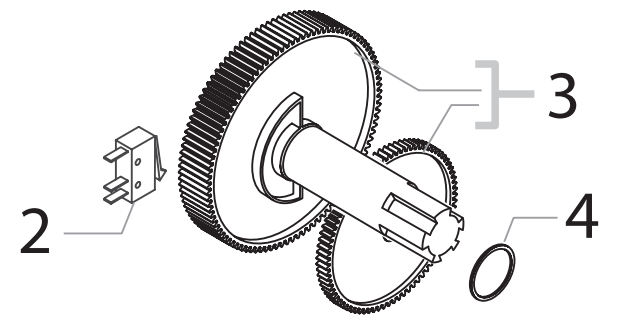
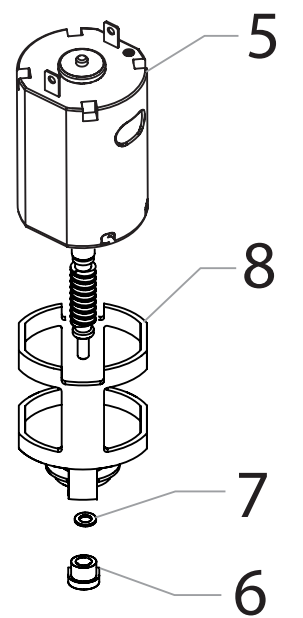
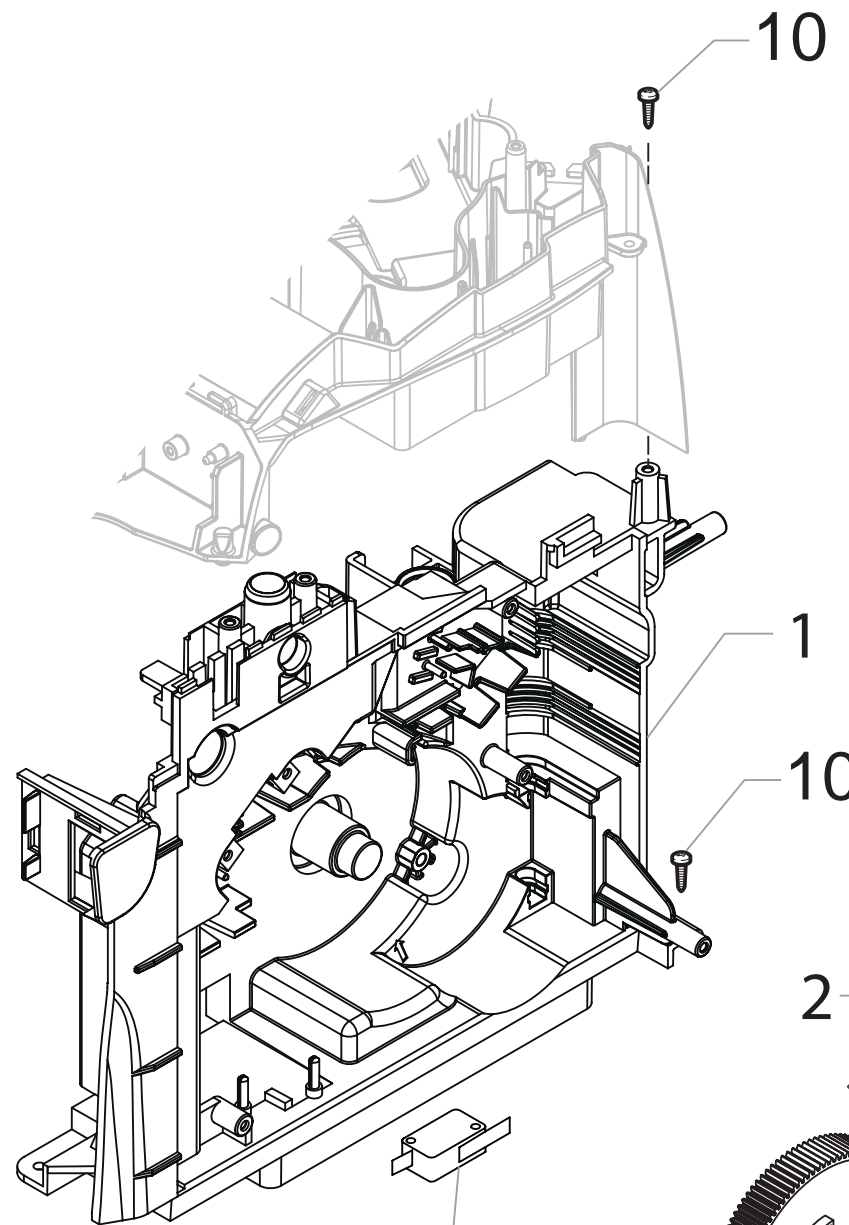




**E74159****HD8743, HD8745, HD8747**

Pos	Article-Nr.	Description
1	11010031	TEA/ZAMA INCREASE SCREW GRINDER
2	145857062	COFFEE GRINDER SEAL P119
3	149198250	BLK UPPER COFFEEGRINDER GRINDER SUPPORT
4	140328960	NBR FDA OR METRIC 0530-15
5	146520100	BAKED CLAY GRINDER 48X28
6	11012466	BRASS BUSH BEAN CONT.FINGER PROTEC.P0057
7	149198350	BLK LOWER COFFEEGRINDER GRINDER SUPPORT
8	123030300	AXIAL BEARING EKKO 342.35252
9	140360500	FELT RING 45,4X39,4X4
10	11006226	BLACK BREW UNIT CONDENSE CONVEYOR P0057
11	11026355	BLK GROUND COFF.OUTLET CONVEYOR V4 ASSY.
12	145854462	BLK GROUND COFFEE CONT.LOWER SEAL SMART1
13	226000300	GEAR SX Z=38 FOR GRINDER MOTION ASSY.
14	11000511	MOTOR COFFEEGRINDER V3.1 120V ASSY.
14	11000513	MOTOR COFFEEGRINDER V3.1 230V ASSY.
15	149214800	MC V3 MOD=1,25 WORM SCREW CENTRING CAP
16	129661702	SCREW TCB TORX 3,5X30 PLAST.ZN-B
17	11002873	INSULATOR BUSH FOR GRINDER MOTOR P124
18	11000597	COFFEE GRINDER SUPPORT SPRING P124
19	11012237	BLACK BEAN CONTAIN.FINGER PROTECT.P0057
20	128381902	STEEL FLAT WASHER DI=4,3 DE=14 SP=1,5
21	149199050	BLK SENSOR SUPPORT FOR COF.GRINDER MOTOR
22	11000194	BLACK COFFEEGRINDER MOTOR SUPPORT P124
23	181540900	ELECTR.BOARD WITH SENSOR HAL506 SF-K
24	123030200	RADIAL BEARING 61900.2RS1
25	128381800	STEEL CRINKLE WASHER 21,8X14X0,25
26	142905450	BLK UPPER BODY WITH COFFEE GROUND OUTLET
27	11008871	3 POLES CONNECTOR MC SENSOR S0053 UL
28	11002613	LOWER COFFEEGRINDER GEAR SUPPORT P124
29	11002572	COFFEEGRINDER REGULATION SPRING P124
30	11003784	COFFEE GRINDING ADJUSTMENT GEAR P0049
31	11003446	BLACK BEAN COFFEE GRINDER INSERT P0049
32	11002508	UPPER COFFEEGRINDER GEAR SUPPORT P124
33	129914002	SCREW TCB TORX 10 3,5X16 PLAST.ZN-B
34	129574802	SCREW TCB TORX 20 M4X30 ZN-B
35	U043.004	ZN-B TCB SCREW M4X16
36	128310402	GALV.WASHER UNI 8842 A4
100	11006059	GEN.MOTOR COF.GRINDER STD P0057 230V ASS
100	11012319	GEN.MOTOR COF.GRIND.ITA P0057 230V ASSY.
100	11013028	GEN.MOTOR COFF.GRINDER P0057 120V ASSY.

Pos	Article-Nr.	Description
-----	-------------	-------------



**E74159****HD8743, HD8745, HD8747**

Pos	Article-Nr.	Description
1	17000366	BLK RATIOMOTOR MOUNTING PLATE XSMC ASSY.
2	NE05.038	MICROSWITCH
3	20000900	SPARES KIT GEARS FOR RATIOMOTOR V2
4	9161.132	MYLAR WASHER FOR RATIOMOTOR
5	11003037	MOTOR FOR RATIOMOTOR ASSY.
6	9121.046	BRONZE SINTERED BUSH FOR MOTOR RATIOMOT.
7	148380200	BAKELIZZATE WASHER D=5,5
8	9121.044	ANTIVIBRATION FOR MOTOR
9	11003754	BLK RATIOMOT.MOUNTING PLATE COVER P0057
10	12000450	SCREW TCBR TORX 10 3,5X12 PLAST.ZN-N
11	11013531	PIN FOR FLOW SELECTOR FAUCET P0057 ASSY.
12	11013530	PIN FOR FLOW SELECTOR FAUCET V2 P0057
13	NM01.035	OR ORM 0090-20 SILICONE
14	NM01.057	OR ORM 0050-20 IN SILICONE
15	NE05.013	MICROSWITCH SAIA XGK52-81-J23
16	11012382	BLACK BREW UNIT 8GR.5BAR P0057

Pos	Article-Nr.	Description
-----	-------------	-------------